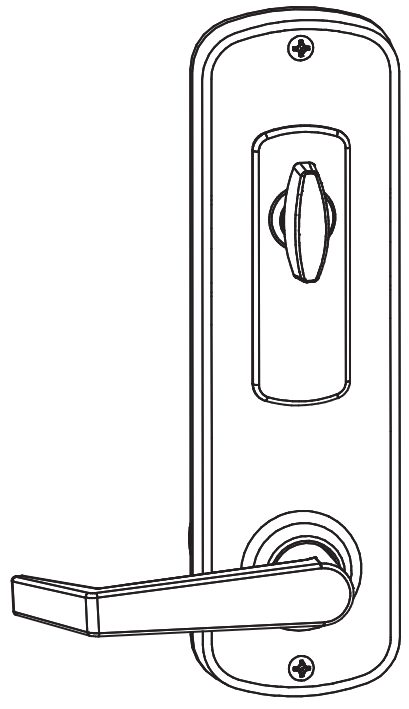


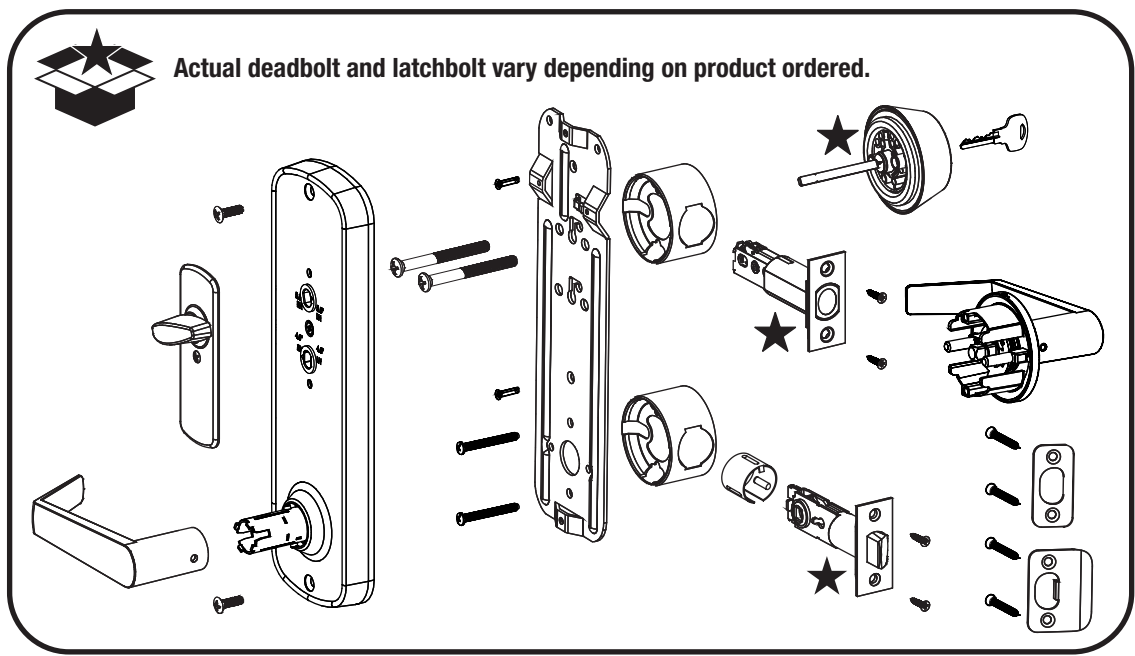
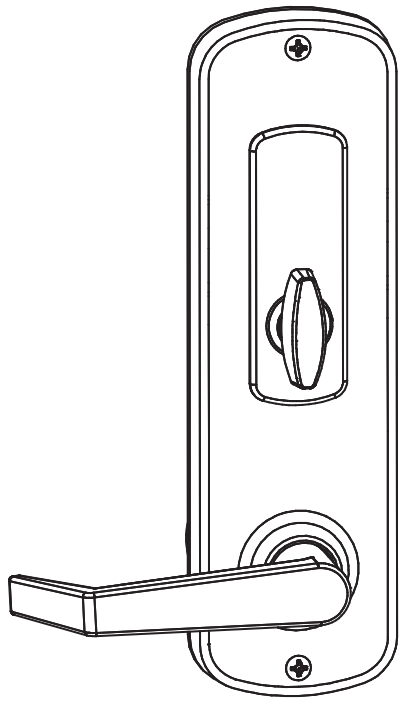


Adjustable

5.5"



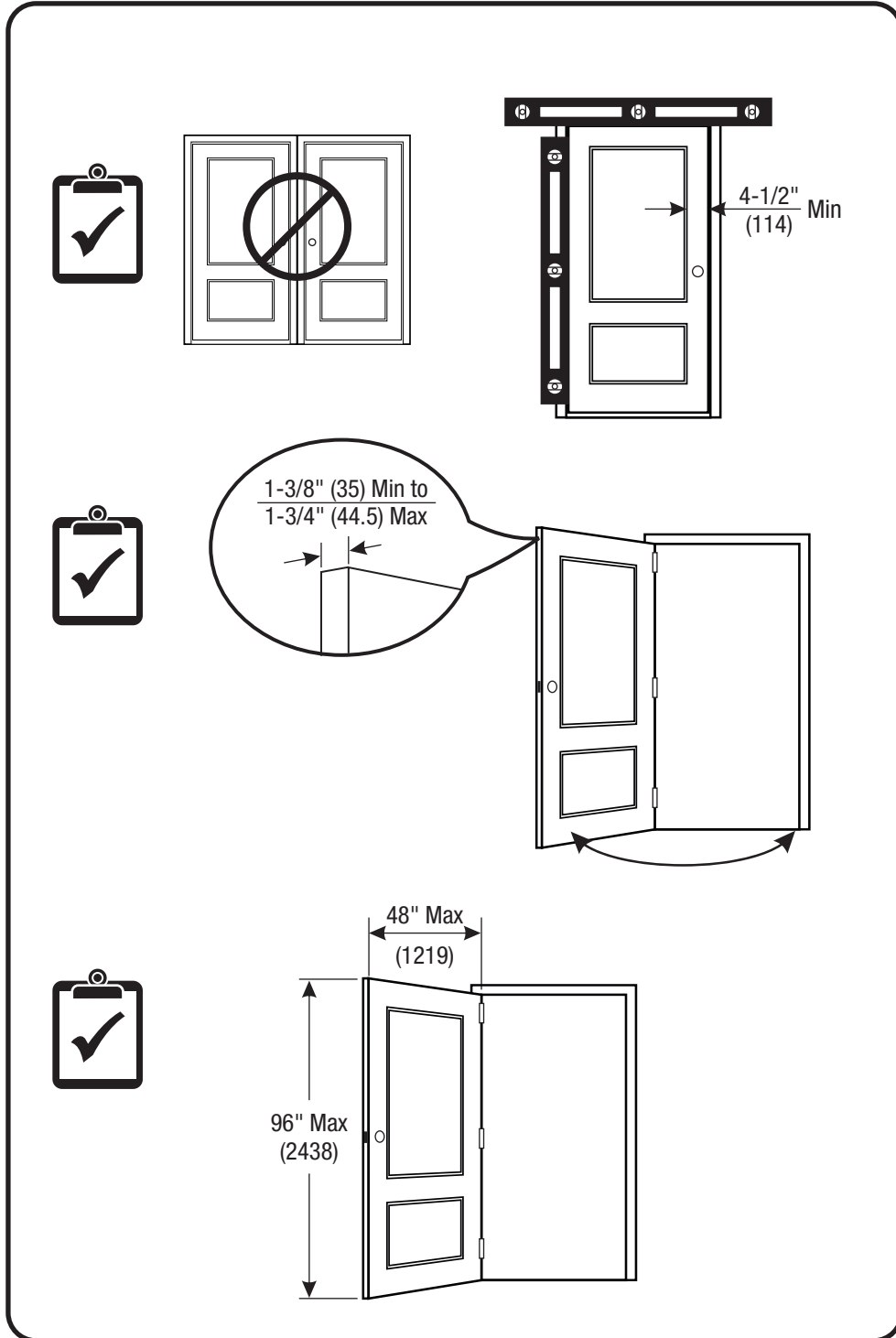
4"

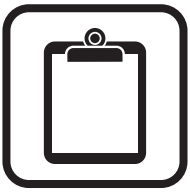


Retrofitting or modifying this product may impact fire rating, safety features and warranty. Consult with code specifications to ensure compliance with all codes and ratings.

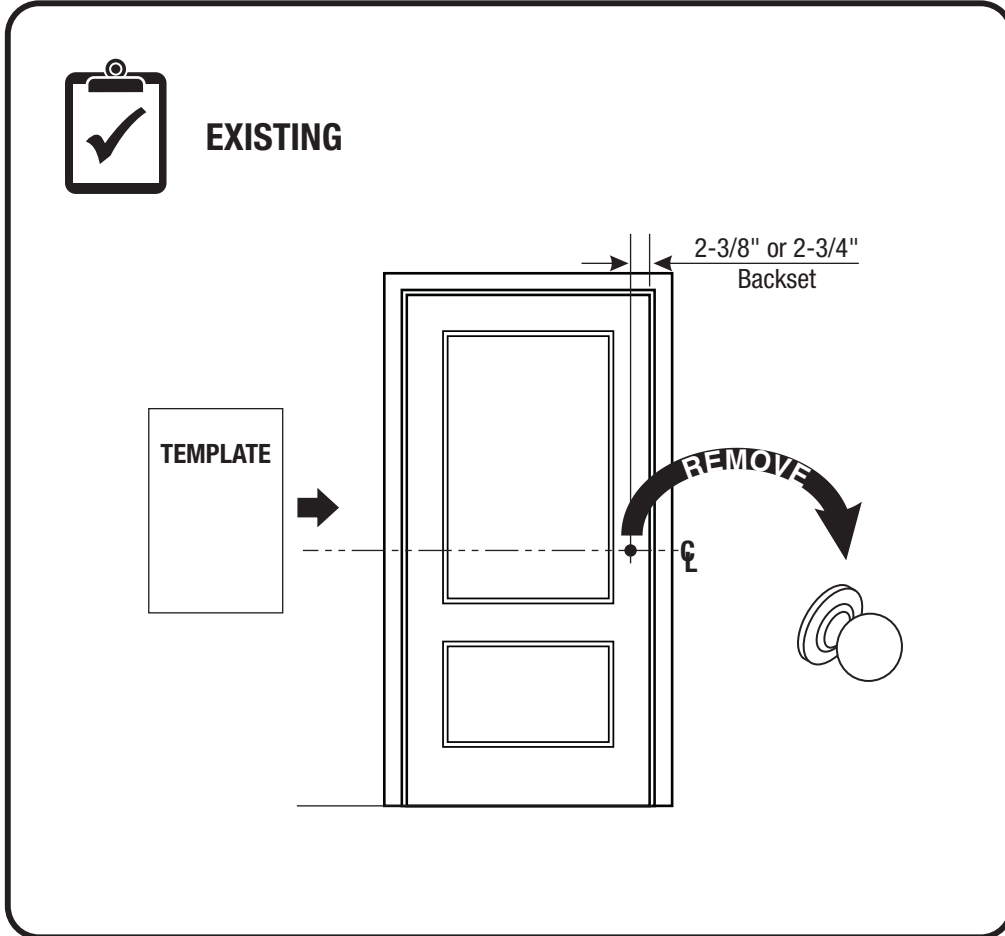


Before You Begin...



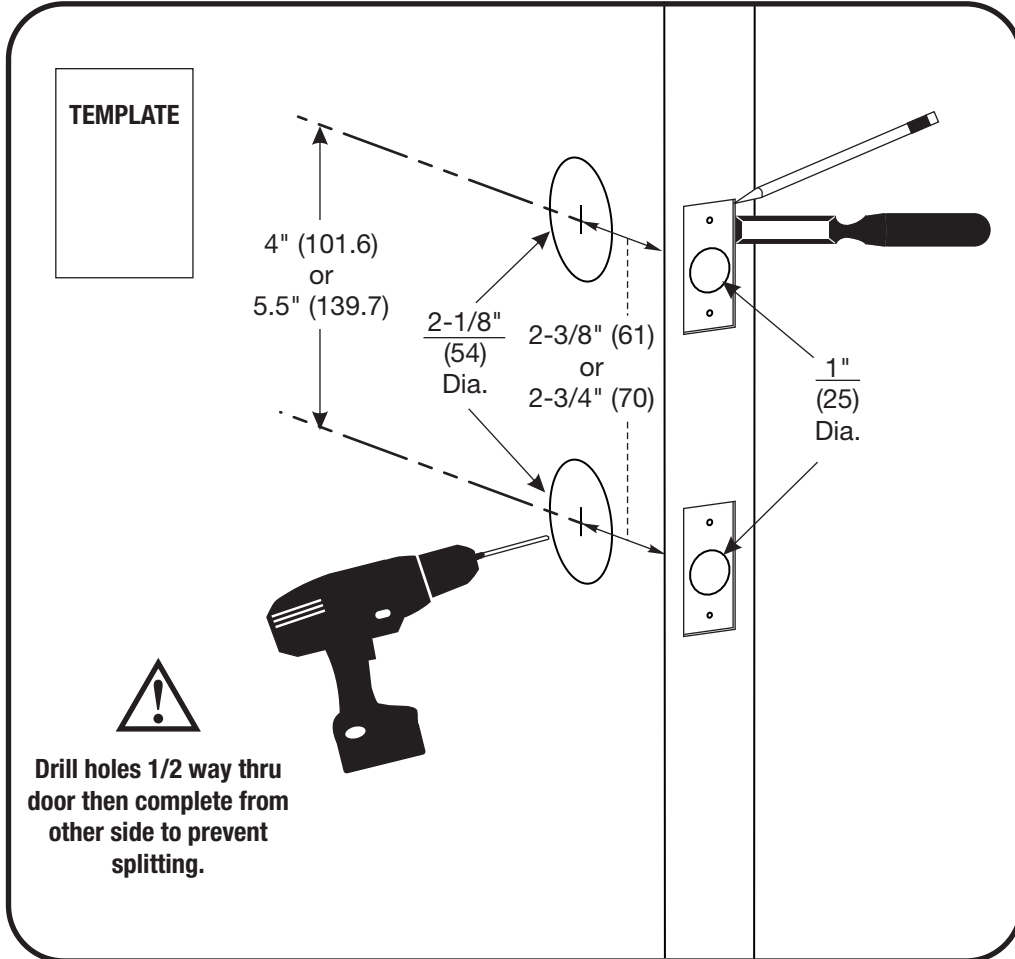


Mark Door Reference Lines



1

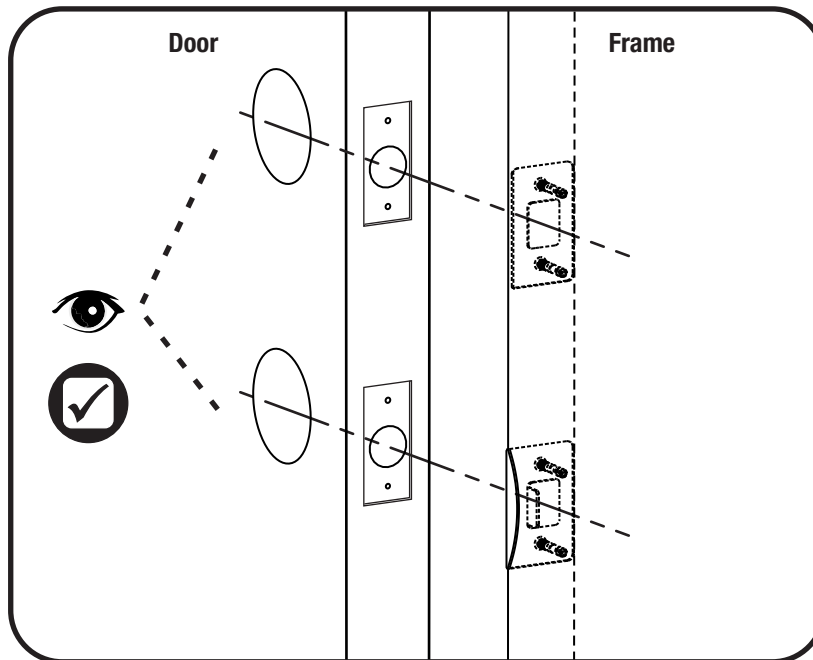
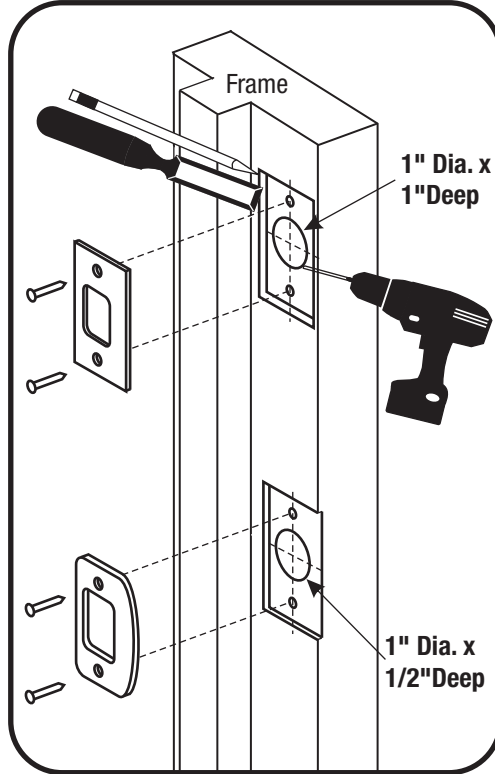
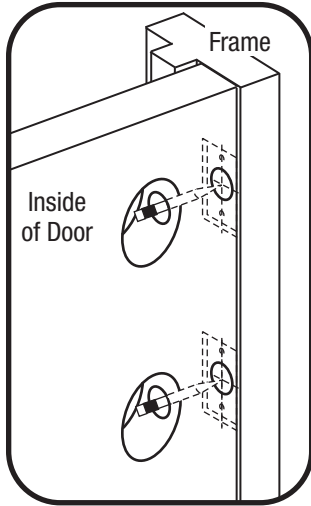
Preparing Door

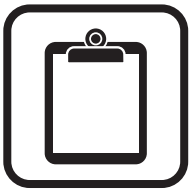


2

Installing Strike Plates

 7-16 / 8-32 x 1" UNCWS





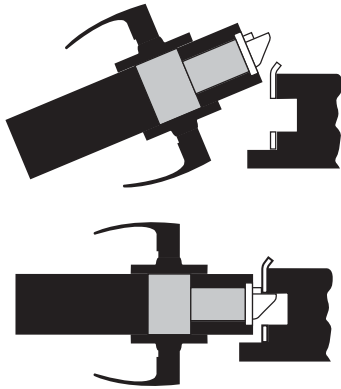
Determining Handing



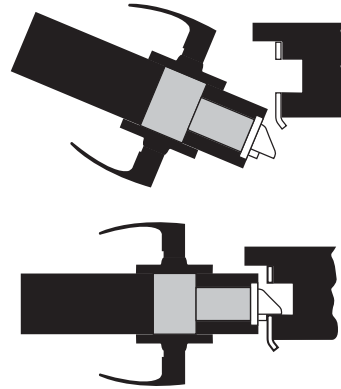
The hand of a door is determined from the secure side of the door. The term "secure" means the side from which you initially unlock and enter.



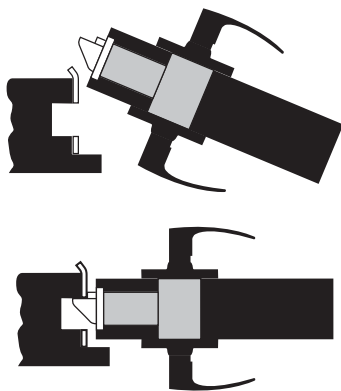
Left Hand "LH", Hinges Left.
Open Inward.



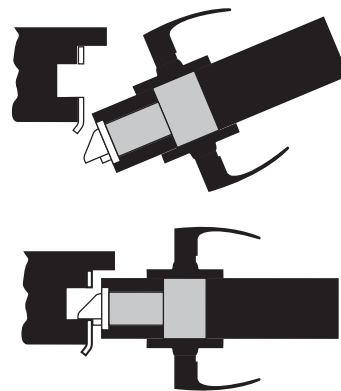
Left Hand Reverse "LHR", Hinges Left.
Open Outward.



Right Hand "RH", Hinges Right.
Open Inward.



Right Hand Reverse "RHR", Hinges Right.
Open Outward.



3

Changing Handing (if necessary)

5.5" Left Hand to 5.5" Right Hand Shown

⊕ 4-24 x 1/4" PPHMS



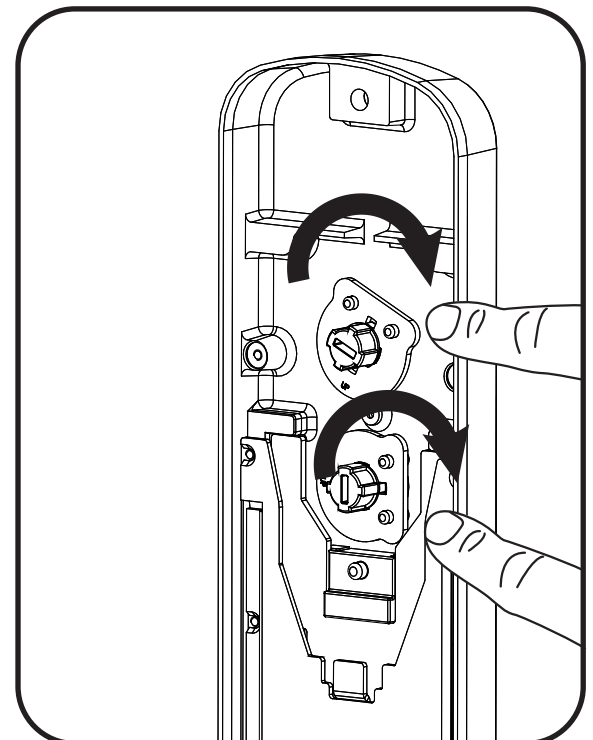
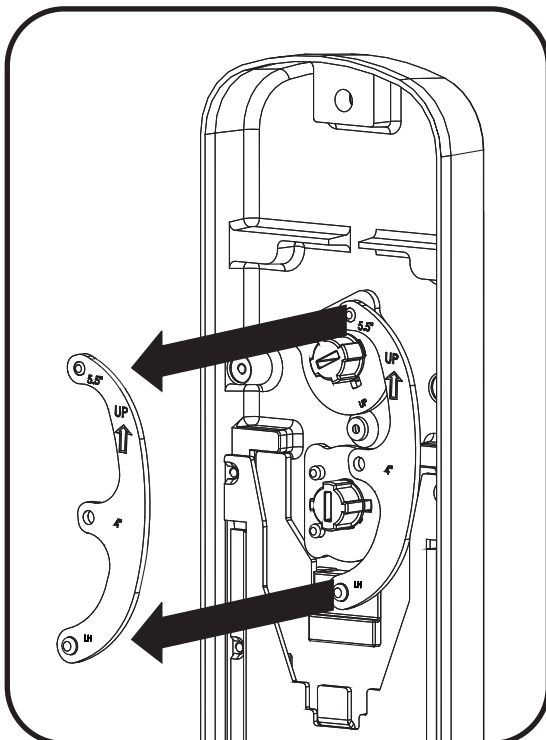
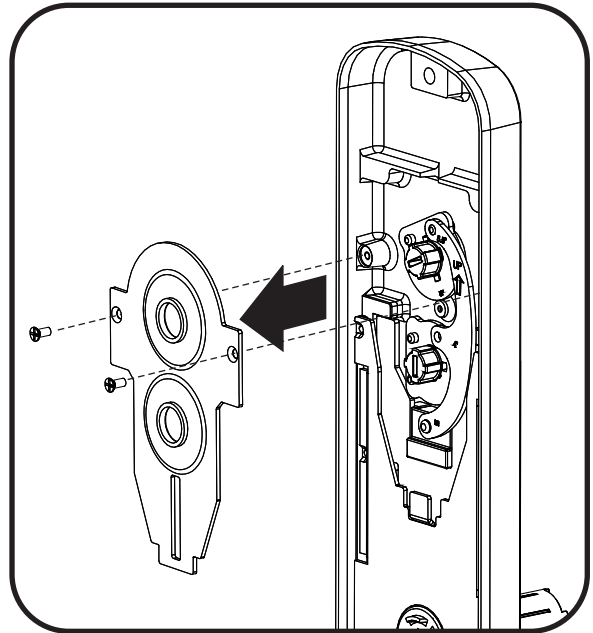
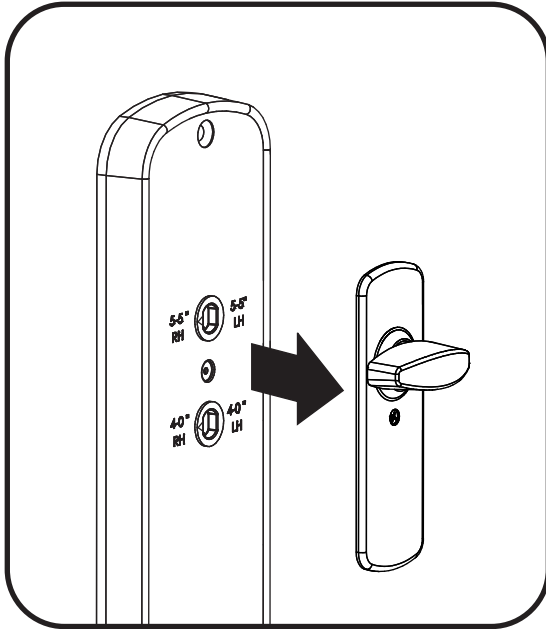
x2

⊕ 6-32 x 1/4" POHMS



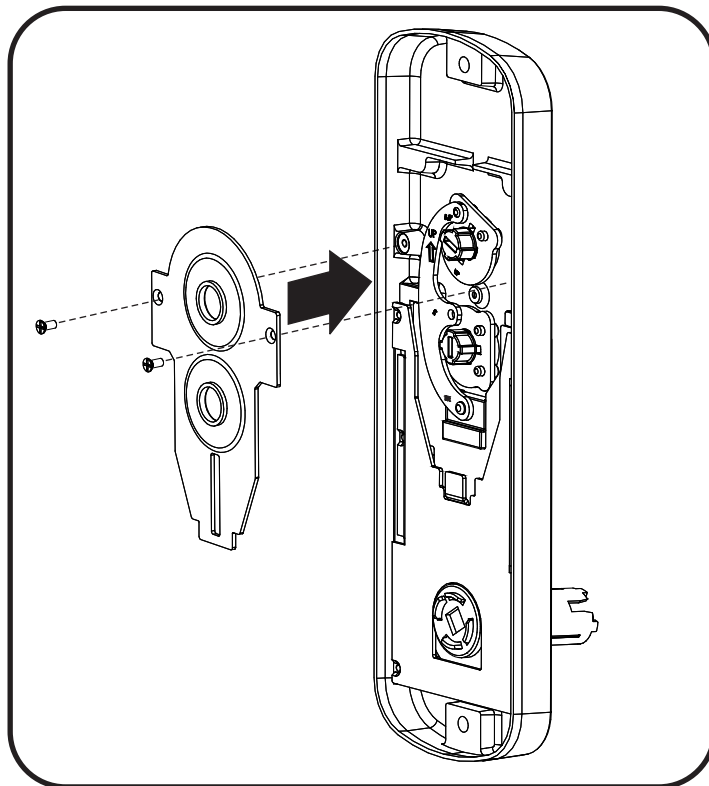
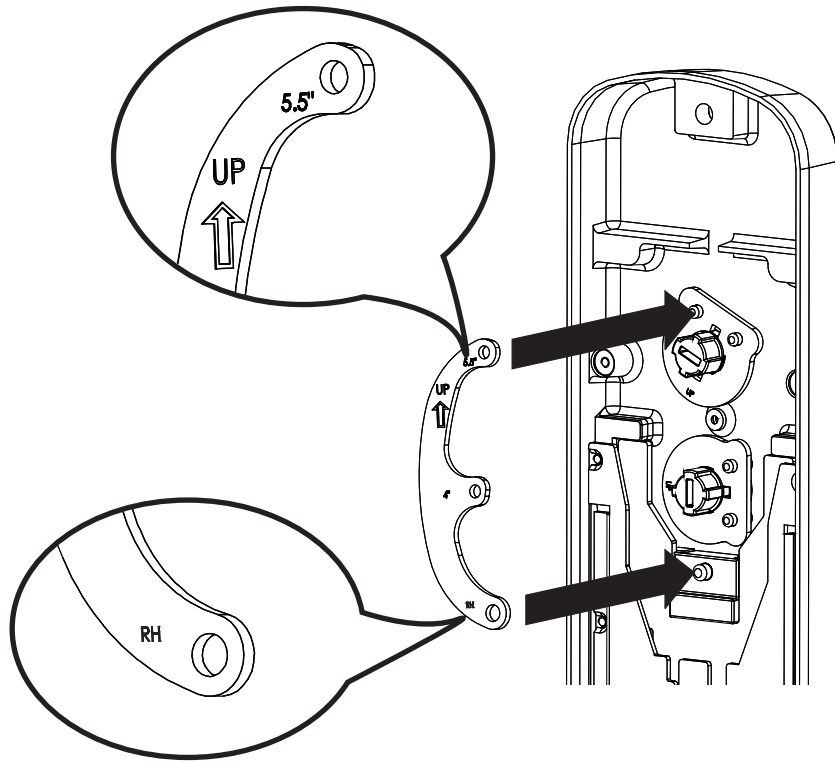
x1

Does not come out of plate



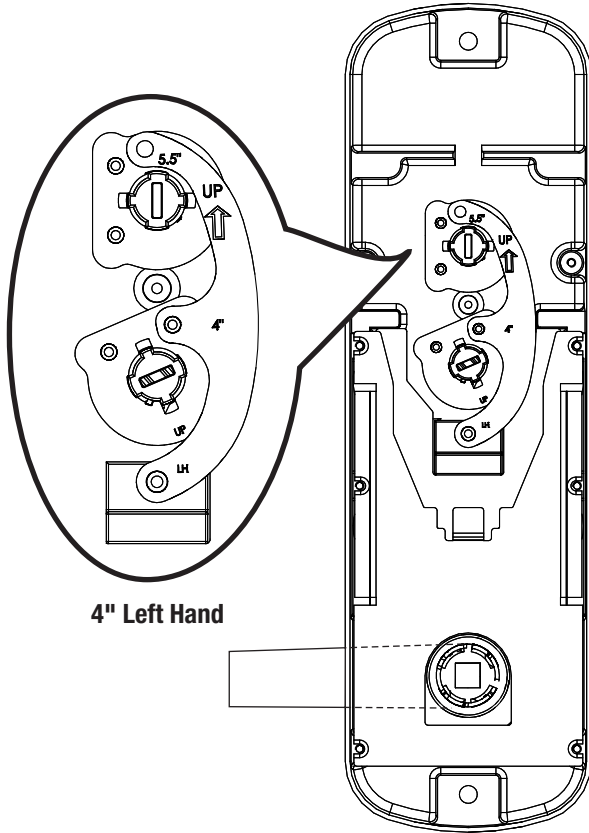
3

Changing Handing (if necessary) continued...

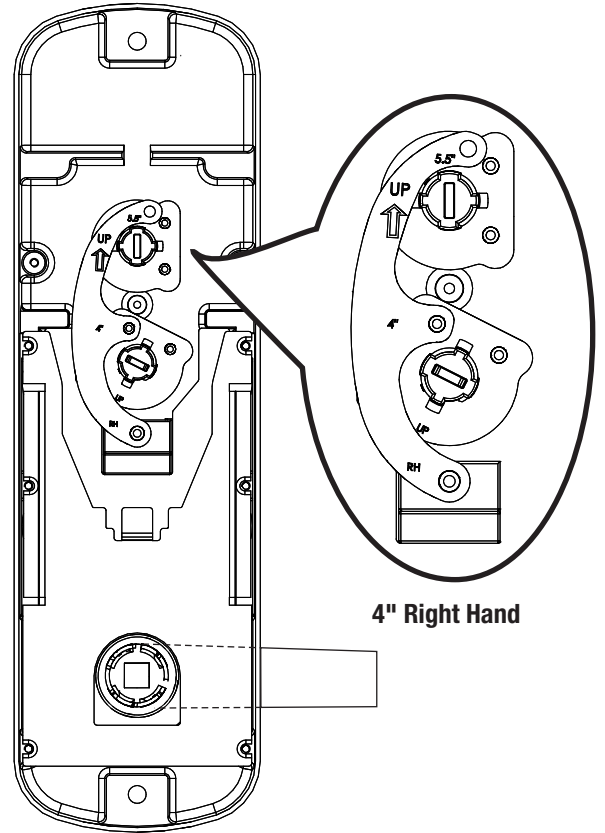




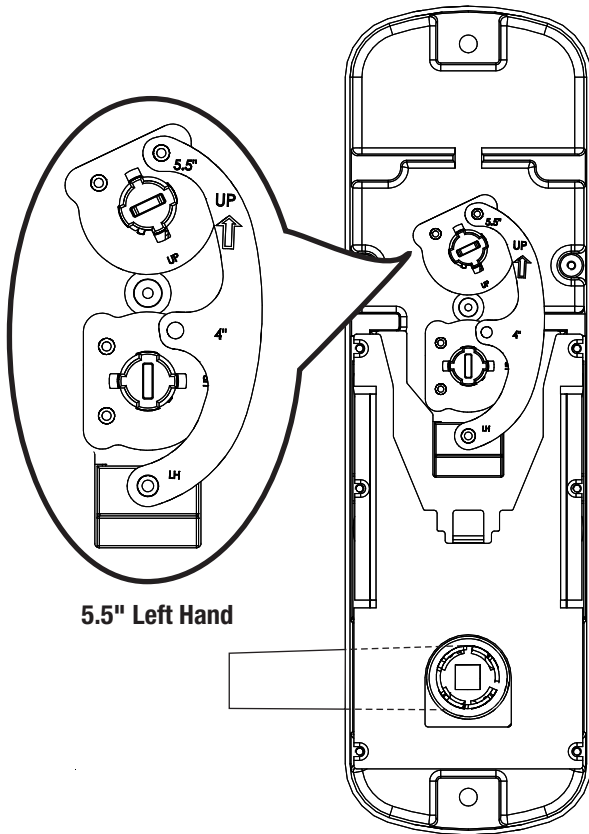
Lockset Handing Configurations



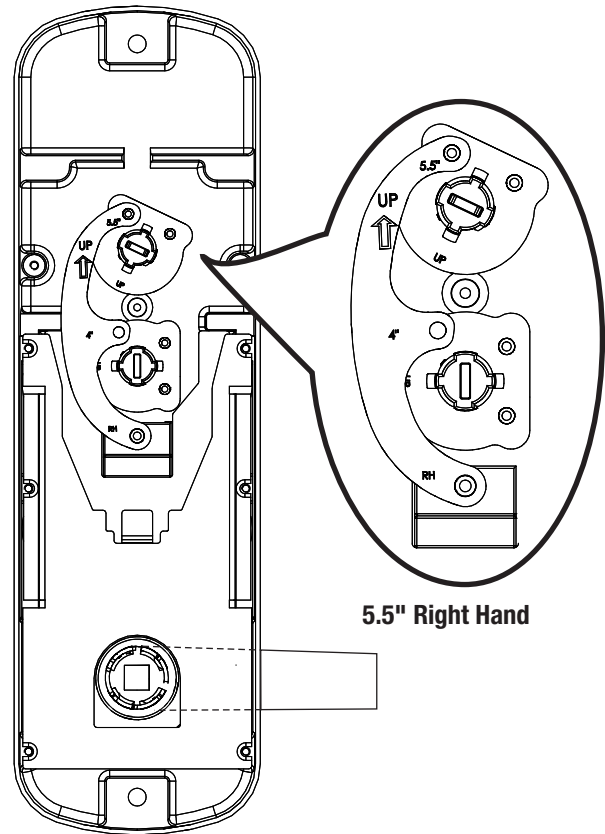
4" Left Hand



4" Right Hand



5.5" Left Hand



5.5" Right Hand

4

Adjusting Thumbturn Location *(if necessary)*

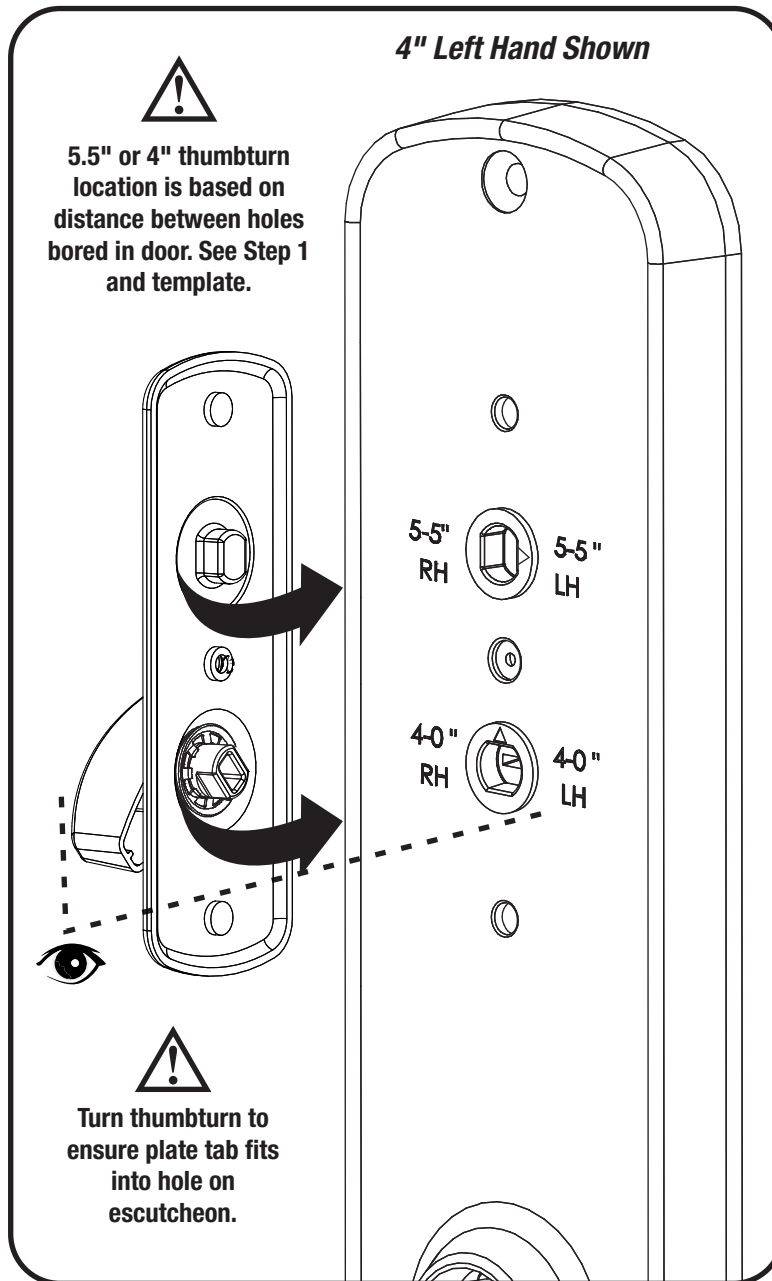


6-32 x 1/4" POHMS

Does not come out of plate

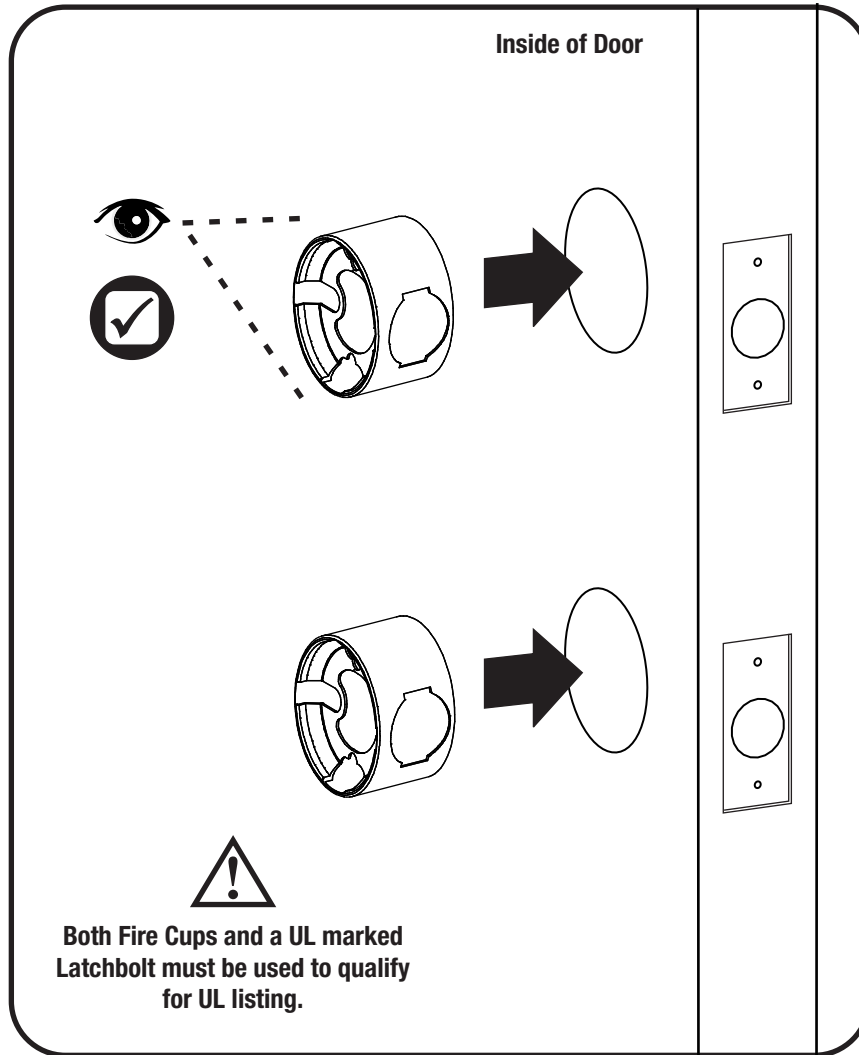


x1



5

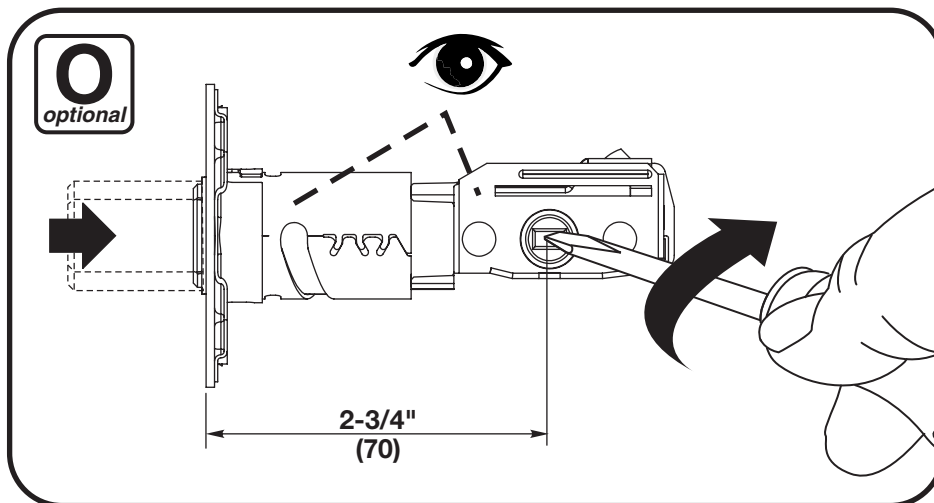
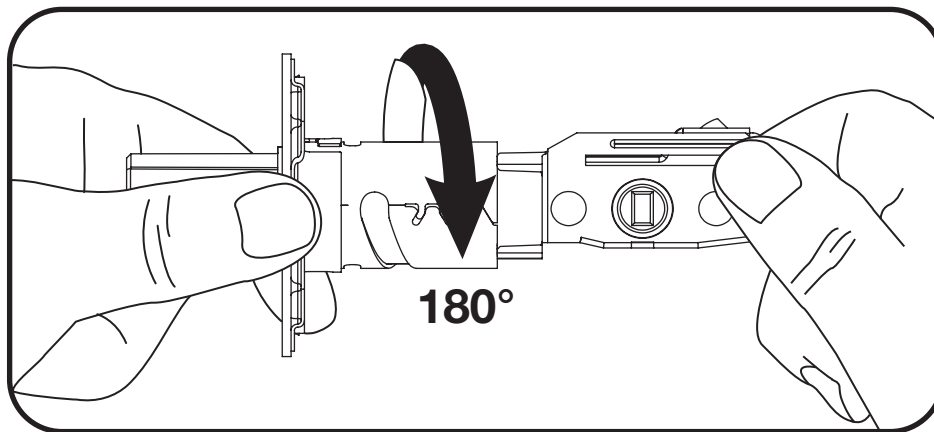
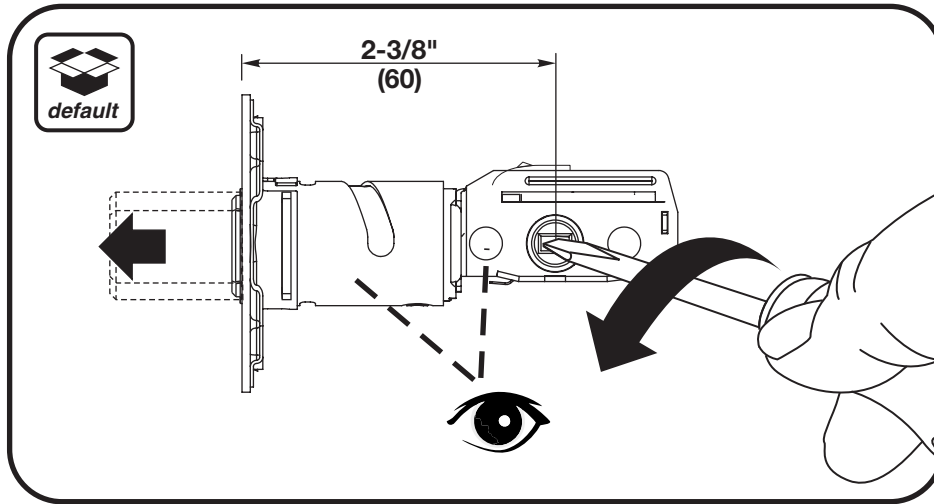
Installing Fire Cups



6

Adjusting Deadbolt Latch

(If adjustable deadbolt latch provided)



7

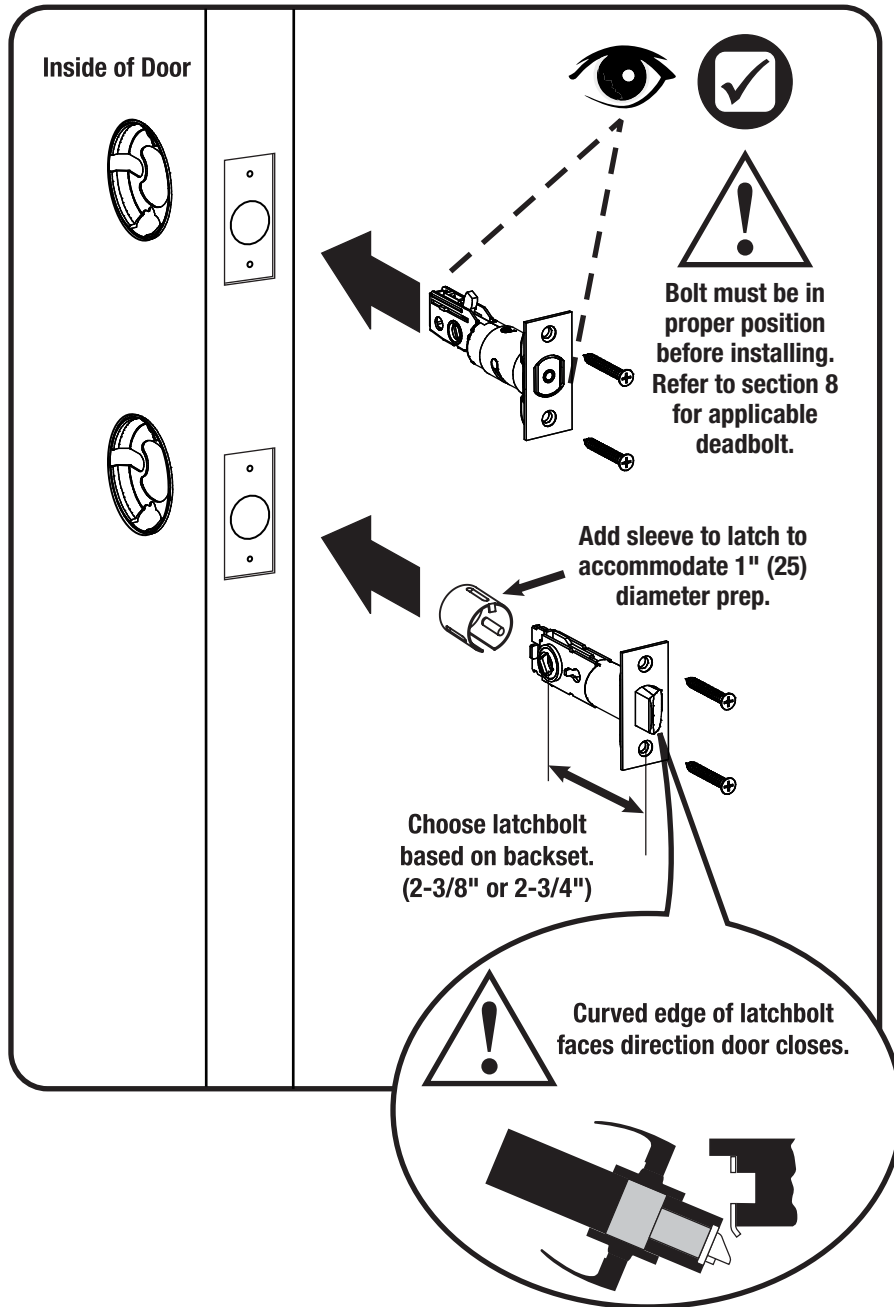
Installing Deadbolt Latch & Latchbolt



7-16 / 8-32 x 1" UNCWS



x4



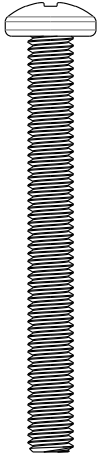


Installing Standard Exterior Deadbolt

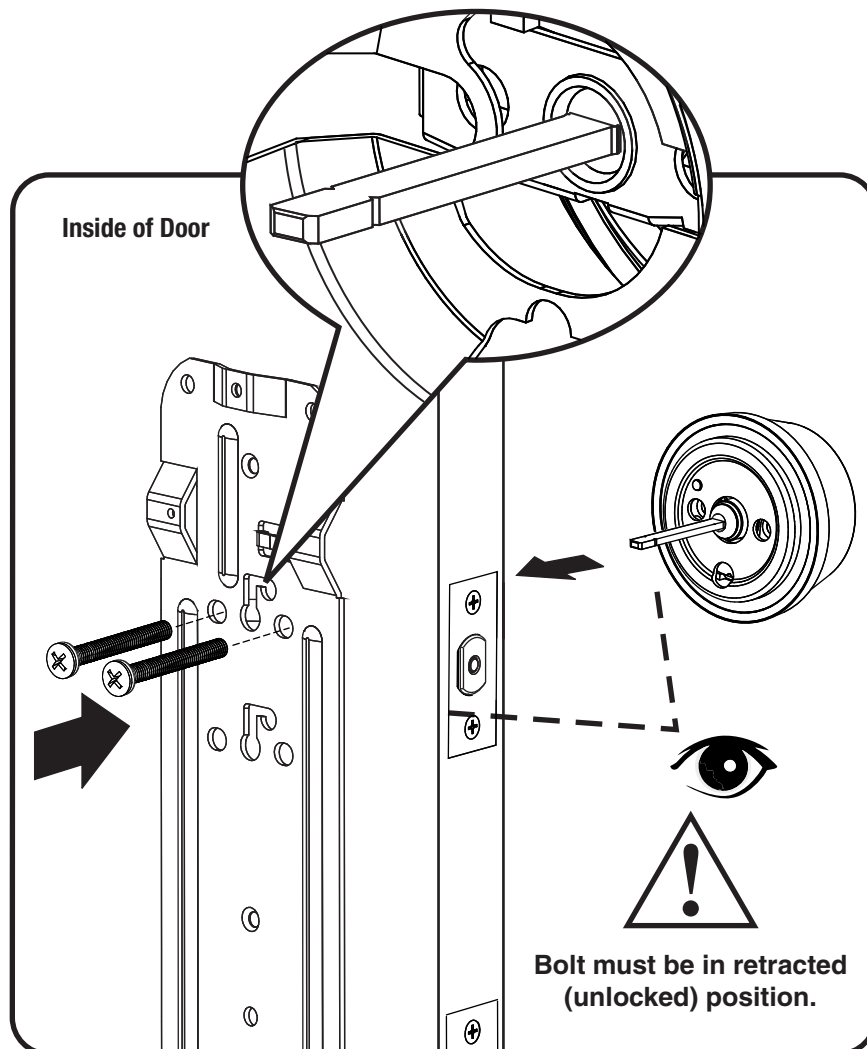
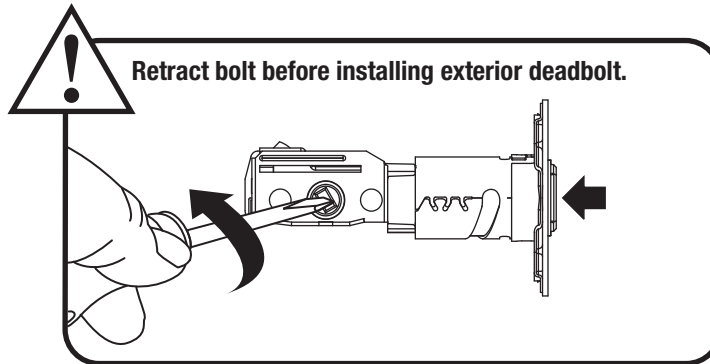
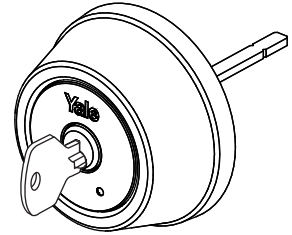
For YR852 & YR872 Functions with KW, Schlage® C or Yale Para Keyways



M6x55 PPHMS



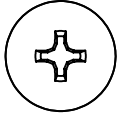
x2



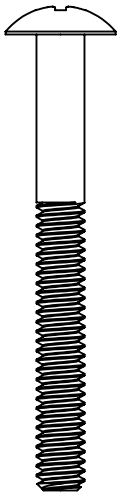
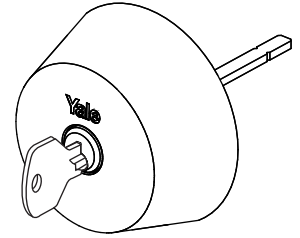


Installing Optional Exterior Deadbolt

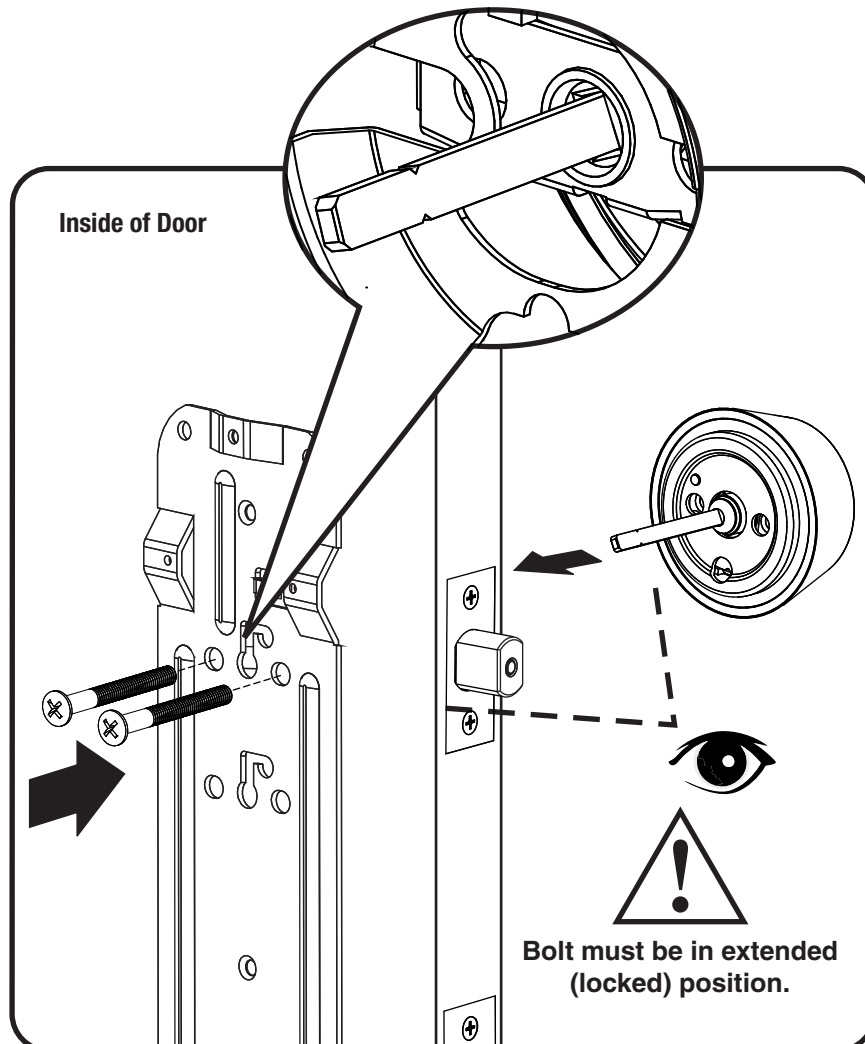
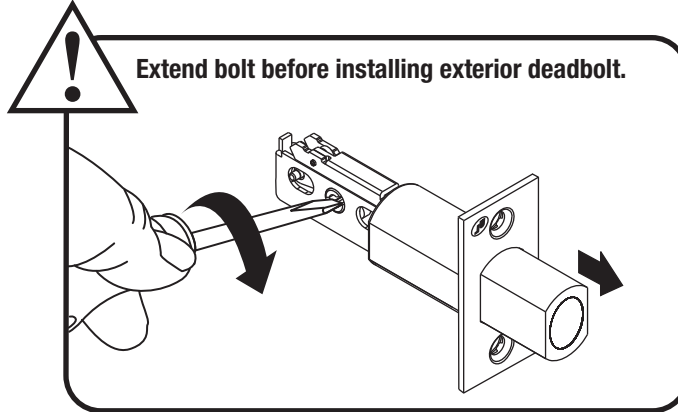
For YR852 & YR872 Functions with Yale Commercial & Arrow Keyways or SFIC



1/4-20 x 2-3/8" PPHMS



x2





Installing Occupancy Exterior Deadbolt

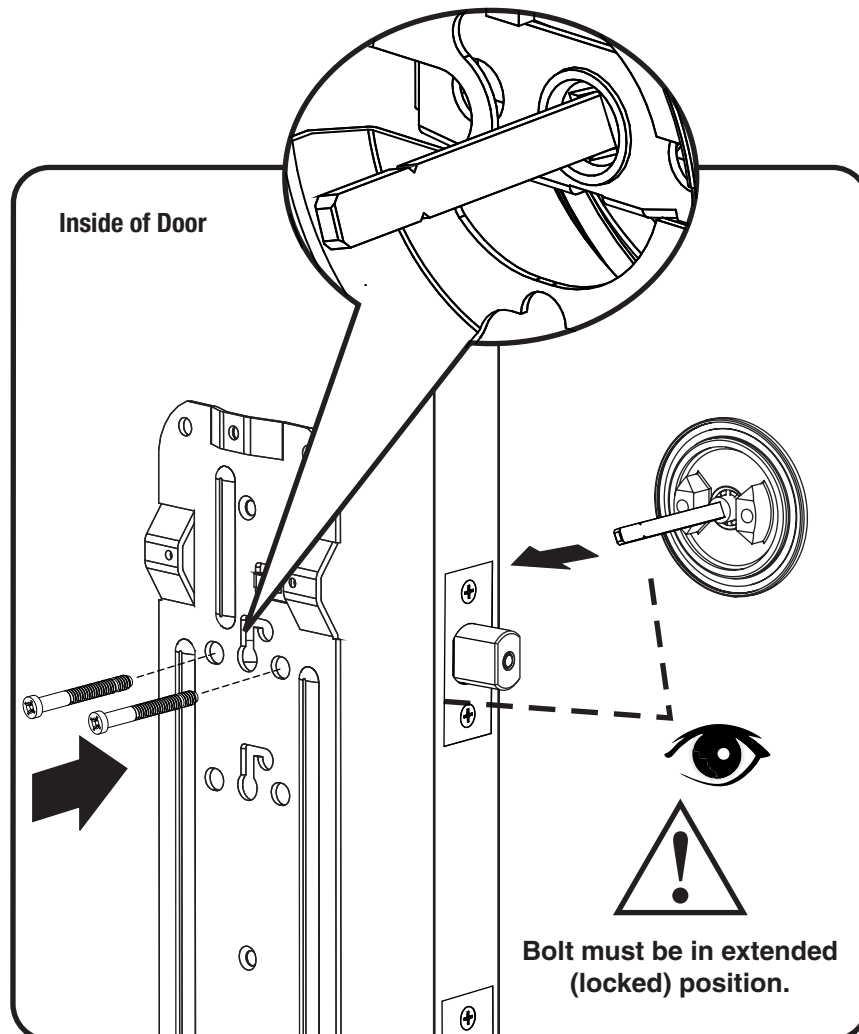
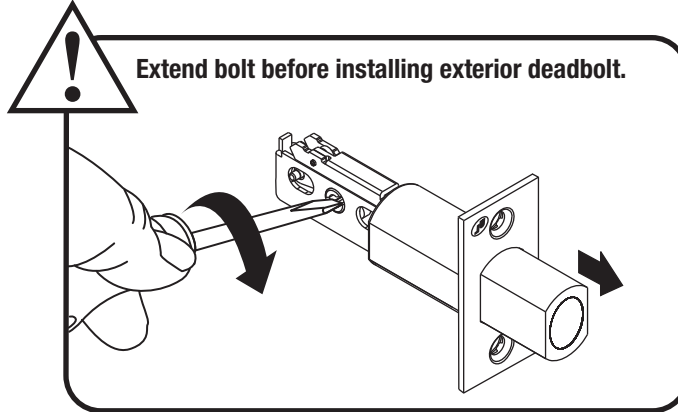
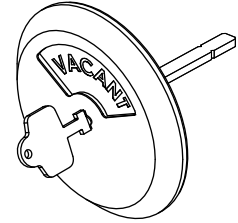
For YR853 Function



1/4-20 x 1-3/4" LHSCS



x2



9

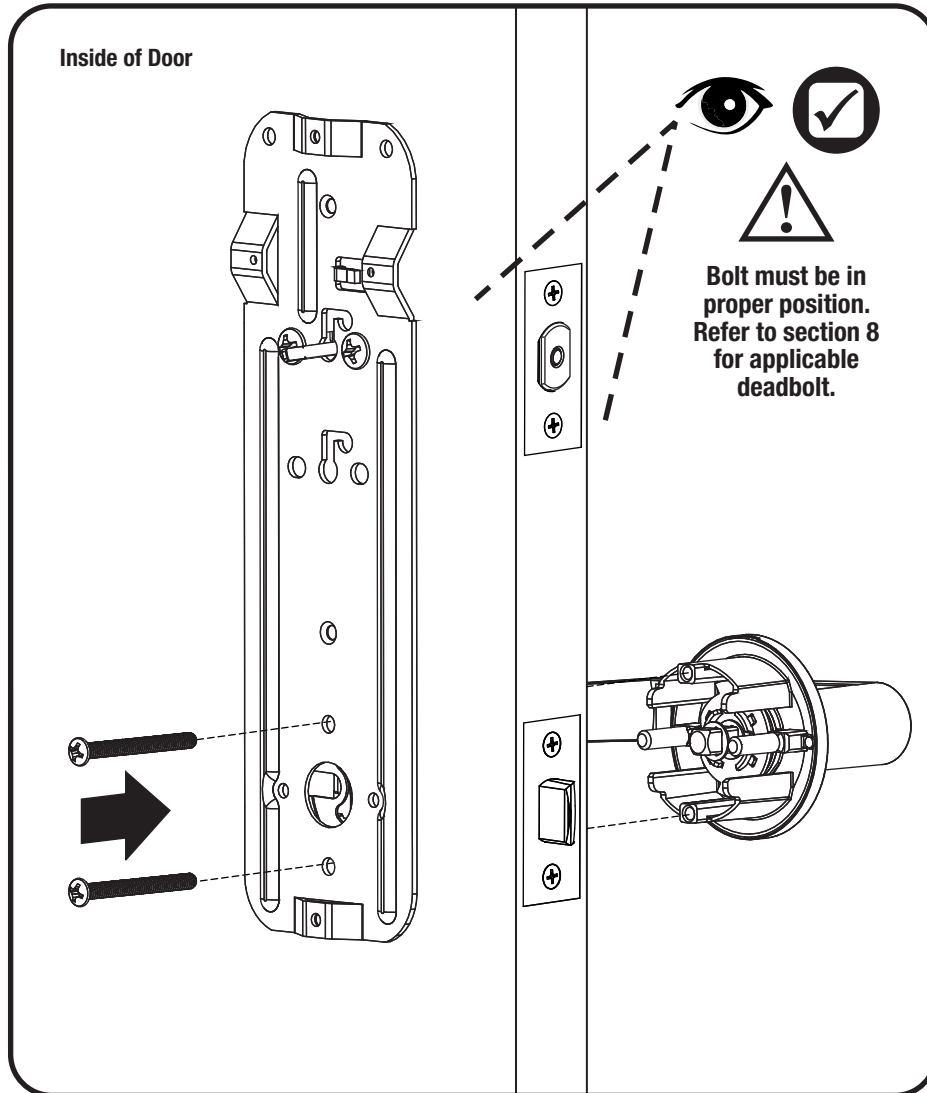
Installing Lock Chassis



10-32 x 1-1/2" PPHMS



x2



10

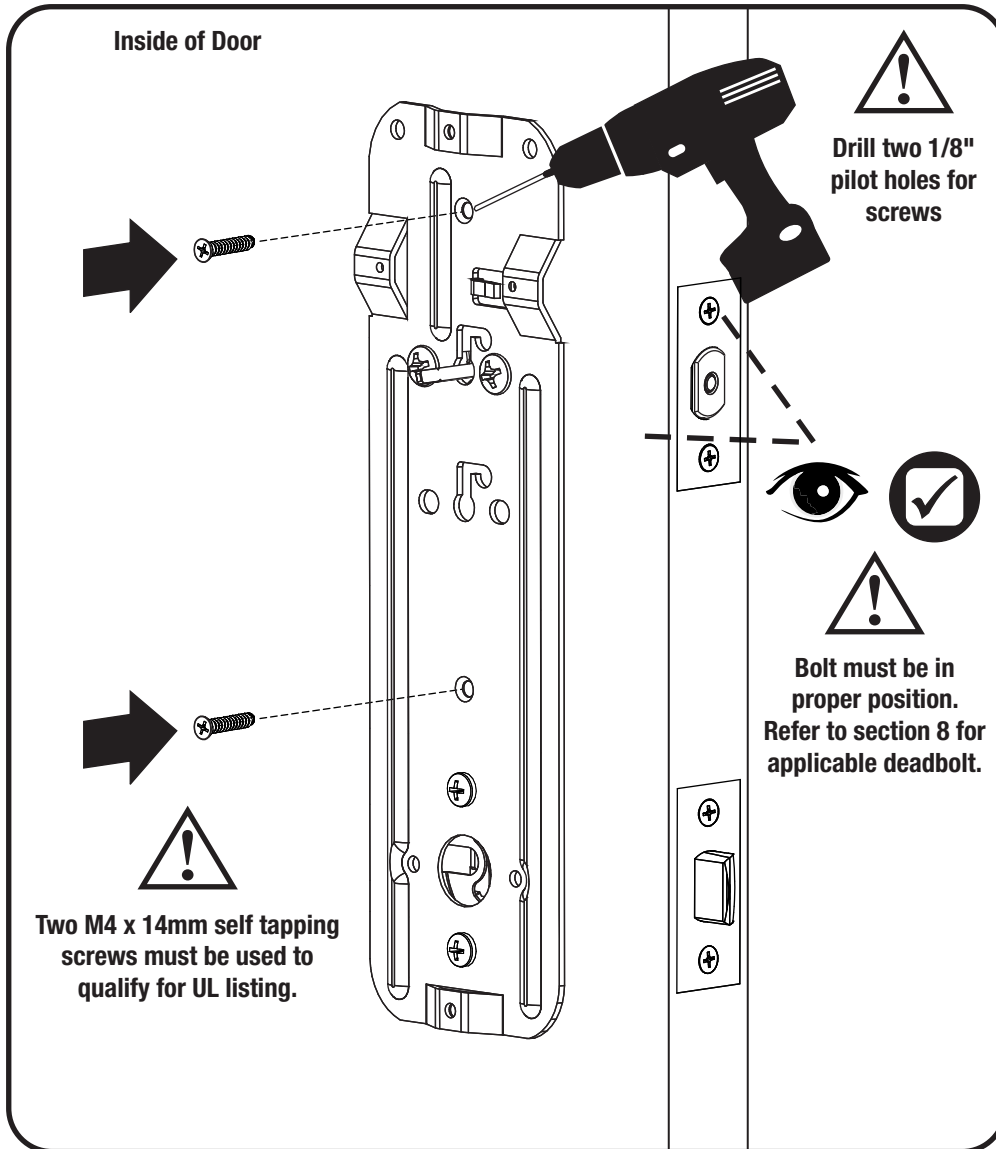
Securing Back Plate to Door



M4 x 14mm PFHMS Self Tapping

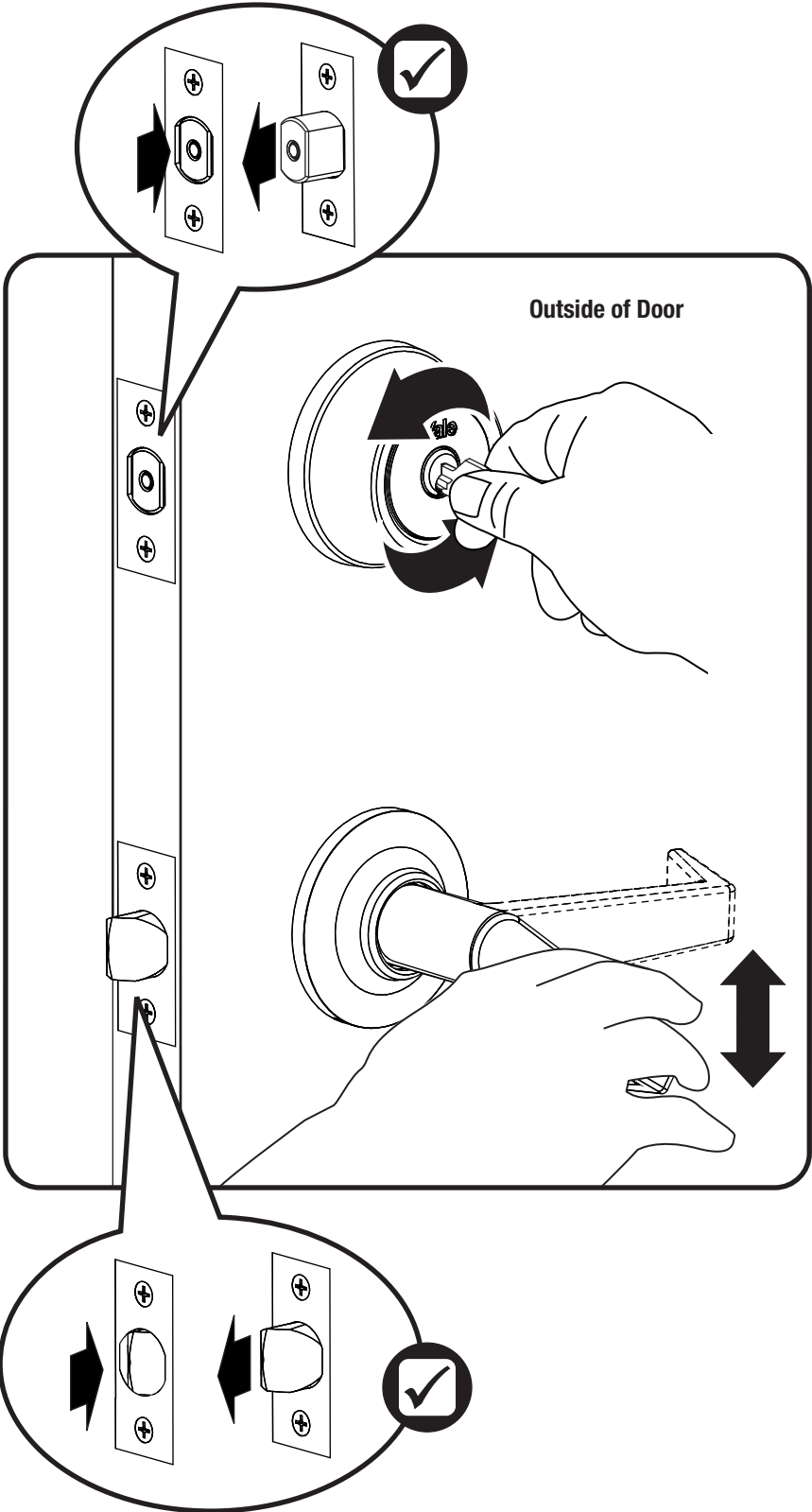


x2





Testing Deadbolt & Latchbolt Operation



11

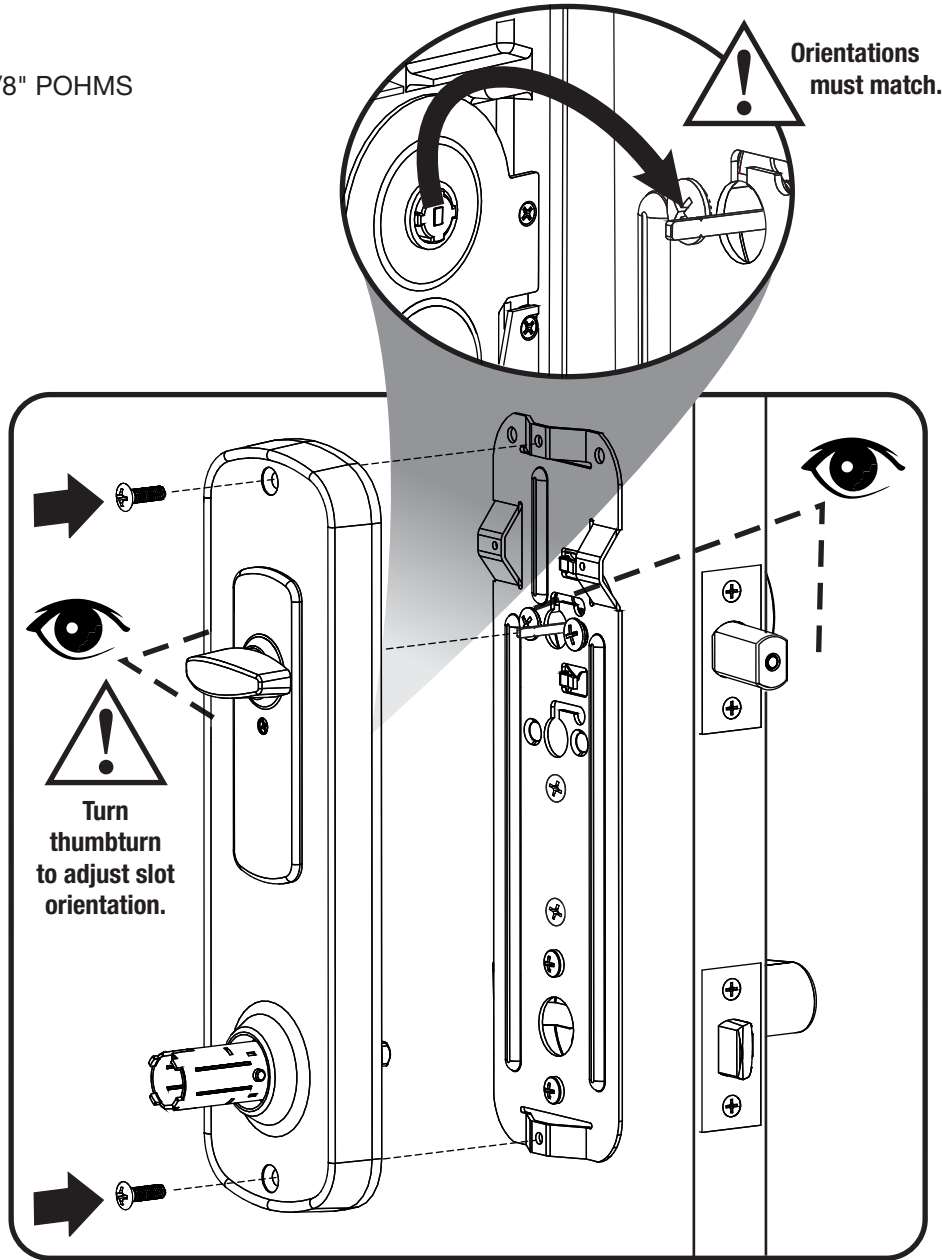
Installing Interior Escutcheon



10-32 x 5/8" POHMS

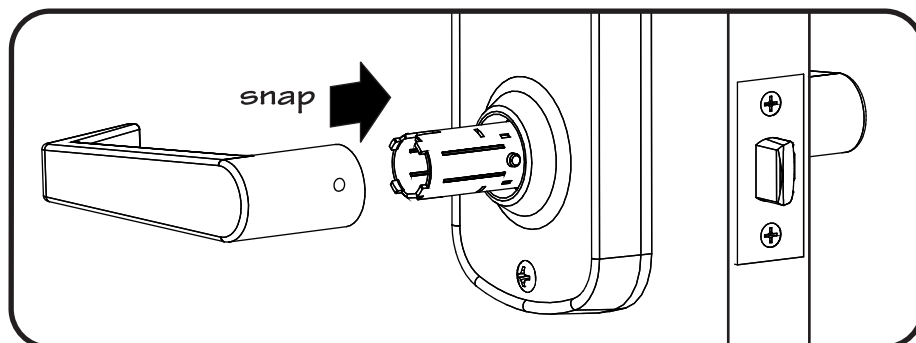


x2



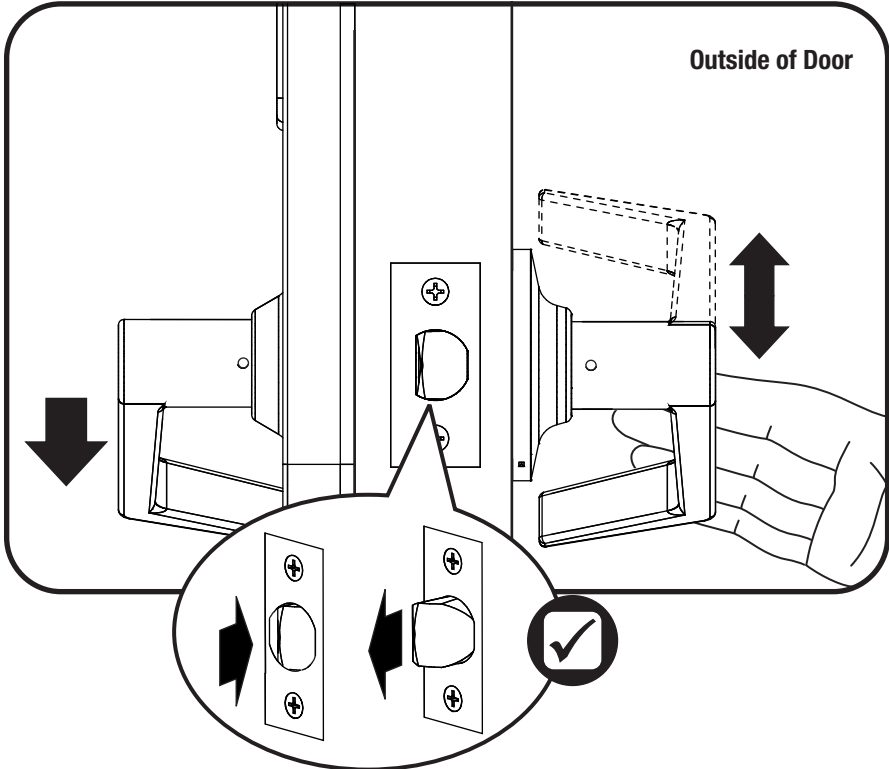
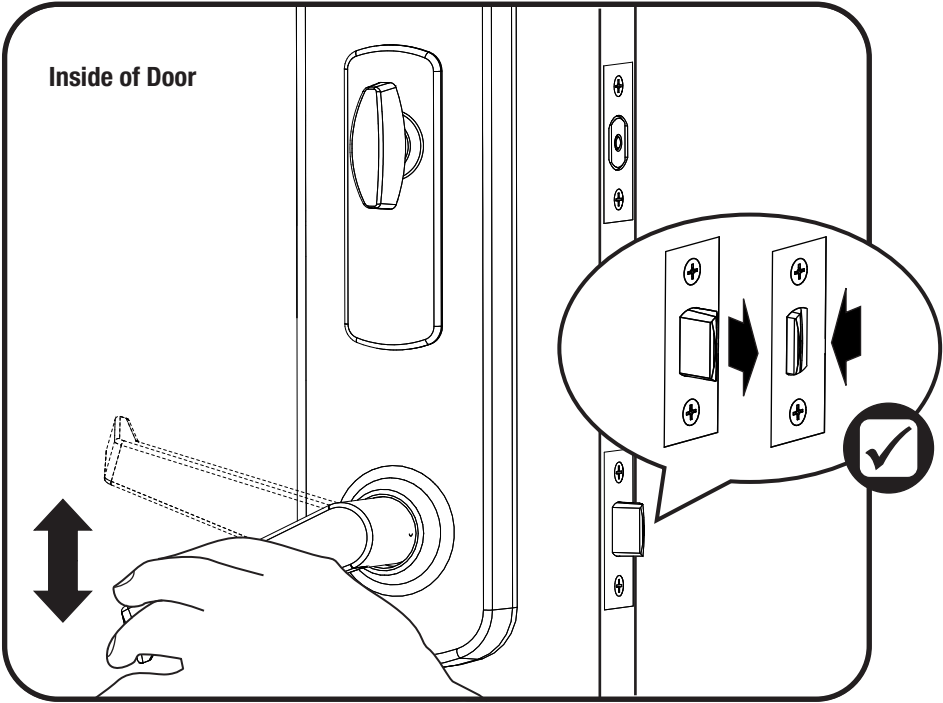
12

Installing Interior Lever



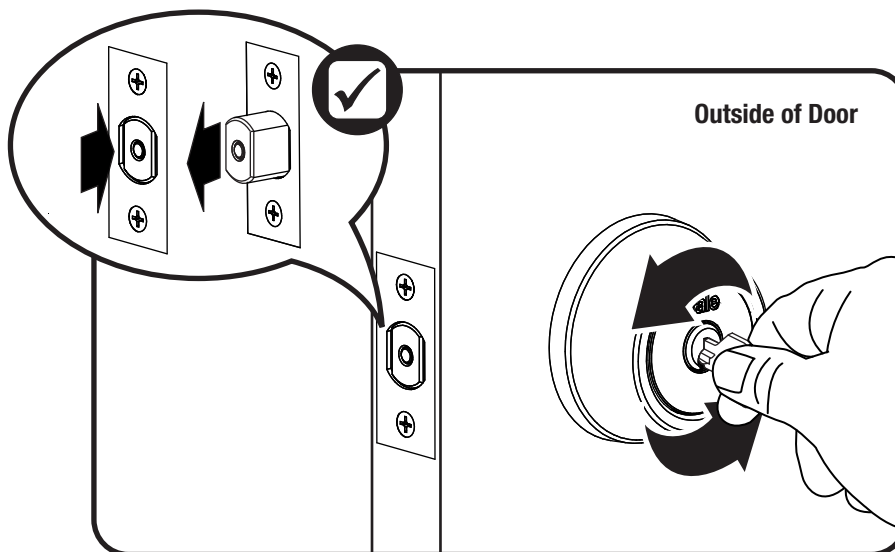
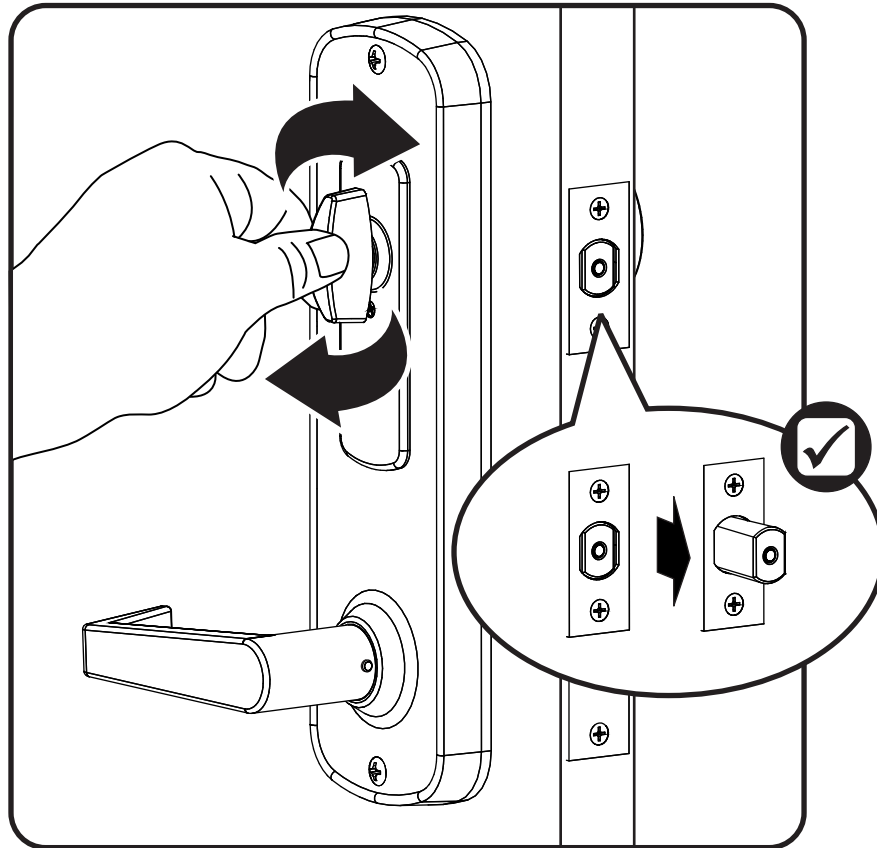


Testing Final Latchbolt Operation





Testing Final Deadbolt Operation



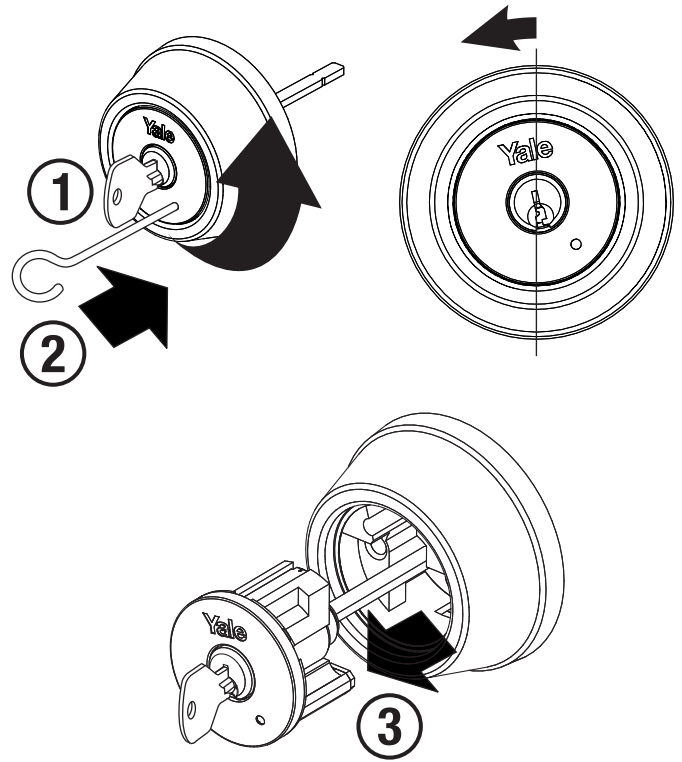
Congratulations, you've installed
the Yale YH Collection™ Mechanical Interconnected Lockset!

Removal of Cylinder (Kwikset, Schlage, Para)

For Retrofit Only / For Face Removable Deadbolt Only

To remove cylinder when installed on door:

1. Insert the key into the lock.
2. Press the cylinder removing tool into the small hole on cylinder face and turn the key counter-clockwise. This will cause the face of the cylinder to rotate to the left slightly.
3. Once turned off center, pull on the key to remove the cylinder.
4. Remove the plug assembly from the cylinder housing for re-keying.

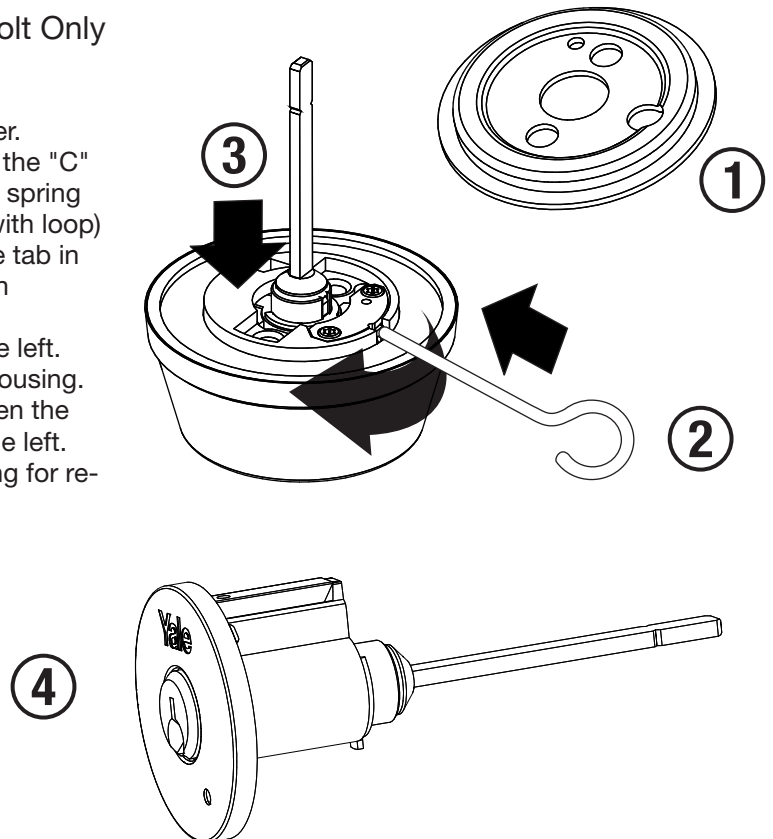


Removal of Cylinder (Kwikset, Schlage, Para)

For Retrofit Only / For Face Removable Deadbolt Only

To remove cylinder when NOT installed on door:

1. Remove the loose plate from the back of the cylinder.
2. Two (2) screws hold the metal strap in place. Under the "C" cutout in this strap is a semicircular indentation in a spring loaded tab. Using the cylinder removing tool (wire with loop) or a screwdriver, place the tip of the tool against the tab in the indentation and push toward the center and turn clockwise.
3. The purpose is to move the cylinder and strap to the left. When all the way left, push the cylinder out of the housing. NOTE: It may be necessary to put the tool in between the gap created on the right and force the cylinder to the left.
4. Remove the plug assembly from the cylinder housing for re-keying.



Yale Locks & Hardware

Product Support Tel 800.438.1951 • www.yalelocks.com

Yale Locks & Hardware is a division of Yale Security Inc., an ASSA ABLOY Group company.

Yale® is a registered trademark of Yale Security Inc., an ASSA ABLOY Group company.

YH Collection™ is a trademark of Yale Security Inc., an ASSA ABLOY Group company.

Copyright © 2016, Yale Security Inc., an ASSA ABLOY Group company.

All rights reserved. Reproduction in whole or in part without the express written permission of Yale Security Inc. is prohibited.

YALE, with its unique global reach and range of products, is the world's favorite lock
–the preferred solution for securing your home, family and personal belongings.

ASSA ABLOY is the global leader in door opening solutions,
dedicated to satisfying end-user needs for security, safety and convenience.