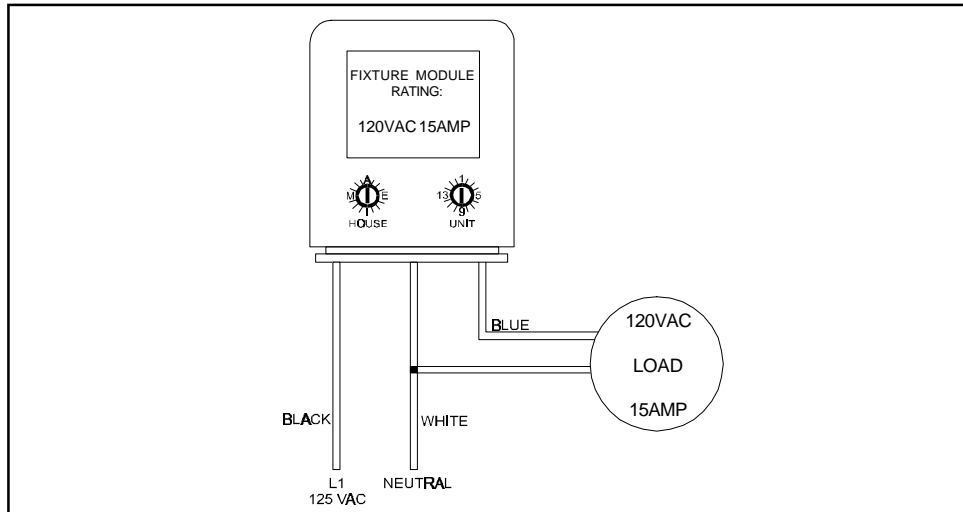


Single Pole Fixture Module

XPFM



The XPFM Incandescent and Inductive Non-dimming Fixture Module is designed to control 15A loads ON and OFF. The XPFM is small enough to fit inside recessed lighting cans and single gang boxes of new or existing loads, allowing hard wired control from inside the fixture.

Note: Only for use in fixtures where 60 Degree C. wiring is permitted. Maximum ambient operating temperature: 140 Degrees F. (60 Degrees C.) The XPFM responds to ON/OFF and ALL LIGHTS ON/ ALL UNITS OFF. It does not respond to DIM commands.

Installing the Single Pole Fixture Module

- Shut off power at the circuit breaker.
- Identify the leads from the fixture, (Line and neutral).
- Interrupt the 120VAC line, that had supplied power to the fixture, then connect the Blue (Switch Leg) from the XPFM to the Fixture as Line.
- Connect the Black (120VAC, Line) lead from the XPFM to 120VAC.
- Connect the White (Neutral) lead to Neutral.
- Clean mounting surface, remove protective covering from adhesive tape on back and press firmly in place.
- Check that all connections are tight and no bare conductors are exposed.

Setting up the Incandescent Dimmer fixture

- Set the House Code dial (RED) to the same letter set on the controller or Security Console. The House Code for monitored security consoles is downloaded by the security installation firm. The default House Code is 'A', when using the PRO2000.
- For normal lighting control, set the Unit Code dial (BLACK) to an unused code which can be controlled from the controller or an RF remote such as the Security Remote, PSR01 (switches 1-4 control Unit Codes 1-4).
- To use as the security light, set the Unit Code to the match the Unit Code of the security console. The Unit Code for monitored security consoles is downloaded by the security installation firm. The default Unit Code is '13', when using the PRO2000.

Note: The security light is the light which is flashed on/off during an alarm and is controlled by the security LIGHT ON and LIGHT OFF buttons on the PRO2000 console, keychain and security remotes)