

Flexible Intensifier® Technology Bullet IP Camera

QUICK INSTALLATION GUIDE



O8FD4M

Please read this guide carefully before installation and operation of the product.

Notice

Thank you for purchasing this product. This guide is designed to be a reference tool for the product. Please read it carefully before operating the product and retain it for future reference. Should you require any technical assistance, please contact Speco Technologies Technical Support.



The lightning flash with an arrowhead symbol, within an equilateral triangle is intended to alert the user to the presence of non-insulated dangerous voltage within the product's enclosure that may be of sufficient magnitude to constitute a risk of electric shock to persons.



The exclamation point within an equilateral triangle is intended to alert the user to the presence of important operating and maintenance (servicing) instructions in the literature accompanying the appliance.

INFORMATION

This equipment has been tested and found to comply with limits for a Class A digital device, pursuant to part 15 of the FCC Rules. These limits are designed to provide reasonable protection against harmful interference when the equipment is operated in a commercial environment. This equipment generates, uses, and can radiate radio frequency energy and, if not installed and used in accordance with the instruction manual, may cause harmful interference to radio communications. Operation of this equipment in a residential area is likely to cause harmful interference in which case the user will be required to correct the interference at its own expense.

WARNING

Changes or modifications not expressly approved by the manufacturer could void the user's authority to operate the equipment.

CAUTION – To prevent electric shock and risk of the fire hazards

- Do NOT use power source other than that specified.
- Do NOT expose this appliance to rain or moisture.

This installation should be made by a qualified service person and should conform to all local codes.

PRECAUTIONS

- Please read the manual carefully before the installation in order to set up the camera correctly and to obtain the best picture quality.
- Installation and services should only be carried out by an authorized personnel according to local safety regulations.
- If any liquid or solid matter gets into the housing, immediately disconnect the camera from power supply and have it checked by your authorized dealer before reusing.
- Avoid installing the camera in extremely hot or cold places.
- If you are not a certified person, never try to dismantle the camera.
To avoid electric shock, never remove the screws or covers. There are no parts inside that need maintenance by the user. All maintenance should be carried out by qualified personnel.
- Avoid installing the camera in a place of high humidity.
- Avoid installing the camera at a place exposed to gas or oil.
- Don't point the camera directly at sunlight.
- Please pay special attention to keep the unit from dropping or external shock during the process of transportation or handling.
- Never try to touch the camera with wet hands. It may cause an electric shock.
- Do not expose the camera to radioactivity. It can cause a serious damage on the image sensor.

LIMITATION OF LIABILITY

This publication is provided "AS IS" without warranty of any kind, either express or implied, including but not limited to, the implied warranties of merchantability, fitness for any particular purpose, or non-infringement of the third party's right.

This publication could include technical inaccuracies or typographical errors. Changes are added to the information herein, at any time, for the improvements of this publication and / or the corresponding product(s).

DISCLAIMER OF WARRANTY

In no event shall seller be liable to any party or any person, except for replacement or reasonable maintenance of the product, for the cases, including but not limited to below :

- (1) Any damage and loss, including without limitation, direct or indirect, special, consequential or exemplary, arising out of or relating to the product.
- (2) Personal injury or any damage caused by inappropriate use or negligent operation of the user.
- (3) Unauthorized disassembly, repair or modification of the product by the user.
- (4) Inconvenience or any loss when images are not displayed, due to any reason or cause including any failure or problem of the product.
- (5) Any problem, consequential inconvenience, or loss or damage, when combined with third party devices.
- (6) Any claim or action for damages, brought by any person or organization, due to a violation of privacy when the surveillance footage, for some reason, becomes public or is used for the purpose other than surveillance.

1. PRODUCT OVERVIEW

Key Features

- 8.5 Mega pixel 1/2.5" progressive scan CMOS image sensor for excellent image quality
- Vandal resistant
- IP67 compliant
- 3-Axis mechanism
- Triple stream for simultaneous operations
- Supports up to 4K ultra-HD image resolution (3840 x 2160)
- Integrated motion detection with pre- and post-alarm image / video buffering
- Tampering-Alarm function
- Controllable frame rate
- Full Duplex Two-Way Audio Support
- Privacy Masking
- HTTPS supported (Hyper Text Transfer Protocol Secured)
- Integrated E-Mail, FTP, DDNS and DHCP client







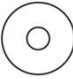
Specification






CLASSIFICATION		Dome IP Camera
General	CPU	ARM Cortex-A9 (1 GHz, Instruction cache : 32kbyte, data cache : 128kbyte-L2, FPU)
	Flash	2Gbit Flash Memory
	SDRAM	8Gbit DDR3 Memory
Camera	Image Sensor	8.5 Mega 1/2.5" SONY STARVIS image sensor
	Total Pixels	3864(H) x 2218(V) 8.57 Megapixel
	Effective Pixels	3864(H) x 2202(V) 8.51 Megapixel
	S/N Ratio	More than 50dB
	Min. Illumination	0 Lux (IR LED On)
	IR Distance	130 ft
	Day & Night	IR cut filter
	Lens	3.6 ~ 11mm Motorized Megapixel Lens
Video	Video Compression	H.265 / HEVC Main Profile Level 5.1 encoding H.264 High profile @ Level 5.1 MJPEG
	Resolutions	Up to 3840 x 2160 @ 25fps
	Frame Rate	H.265 / H.264 Up to 25fps with 3840 x 2160, H.265 / H.264 Up to 30fps with 1280 x 720 H.264 / MJPEG Up to 30fps with VGA
	Video Streaming	Support multi stream with H.265, H.264, MJPEG
		Adjustable frame rate VBR / CBR
	Image Setting	Brightness, Contrast, Sharpness
		Day & Night
		Auto White Balance
		Auto Exposure
		Privacy Mask
		DSS, V-Flip, etc. WDR, ATR
Video Output	BNC x1, 1.0Vp-p, 75 ohm Composite Video, NTSC / PAL	
Audio	Audio Streaming	Two-way, full duplex
	Audio Compression	G.711
	Data / Sample Rate	64Kbps / 8KHz

	Audio Input / Output	Microphone input / 1x Line-In, Line-Output / 1x Line-Out
Network	Security	Password protection
		User access log
HTTPS encryption		
	Supported Protocol	HTTP, HTTPS, DNS, RTSP, RTP, TCP, UDP, ICMP, DHCP
System Integration	Intelligent Video	Motion detection (4 Separate blocks)
	Alarm Trigger	Motion detection, External Input (NO / NC Type)
	Video Buffer	5MB pre-alarm and post-alarm-180sec
	Firmware Upgrade	Remote upgrade via network
	API	CGI Interface document
Physical	Power Source	DC 12V, PoE (Power over Ethernet) : 802.3af
	Power Consumption	8W
	Net Weight	2.6 lbs
	LEDs	Power, Network Connection
	Dimensions	5.1"(Φ) x 3.9"(H)
Environment	Operating Temperature	14F ~ 122F
	Storage Temperature	-4F ~ 140F

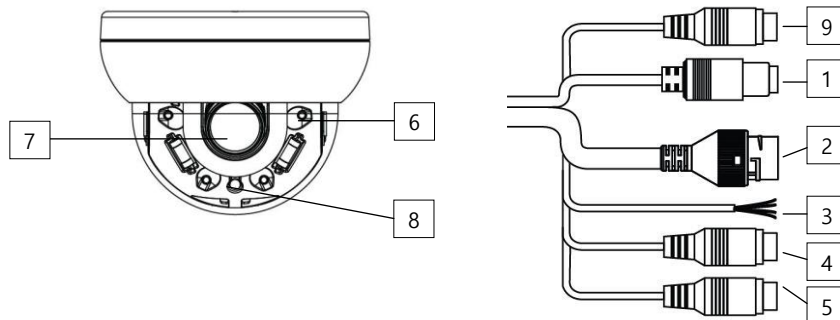
2. NAME AND FUNCTION OF EACH PART

2.1 Package Contents

APPEARANCE	DESCRIPTION
	IP Camera x 1
	Installation Guide x 1
	Drilling Template x 1
	L-Wrench x 1
	Tapping Screws (∅4 x 30) x 3
	Plastic Anchor x 3
	CD x 1

Junction Box	
	Tapping Screws (∅4 x 30) x 4
	Plastic Anchor x 4
	Silicone Template x 1
	Junction Box x 1
	Screw PH (M4 x 12) x 3
	L-Wrench x 1

2.2 Name and Function

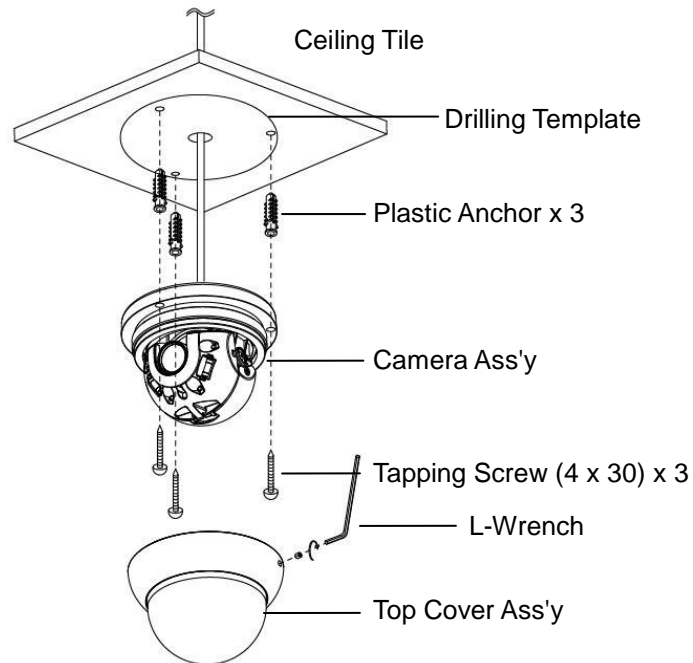


NO.	ITEM	DESCRIPTION
1	Power Connector	DC12V
2	Network and POE Connector	POE (Power Over Ethernet) and LAN cable
3	Sensor In / Alarm Out	Sensor In / Alarm out
4	Audio-In	Audio in (Red)
5	Audio-Out	Audio Out (White)
6	IR LED	Infrared LED
7	Lens	3.6 ~ 11mm Motorized Lens
8	luminance sensor	Control IR LED by sensing light

3. INSTALLATION

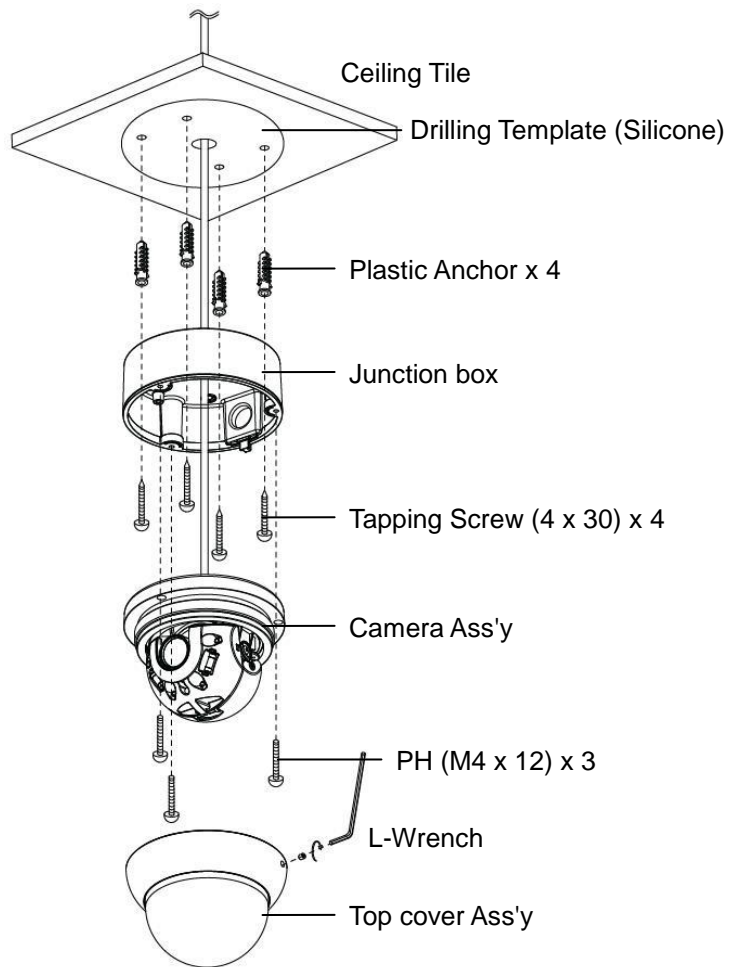
3.1 Installation overview

- Ceiling

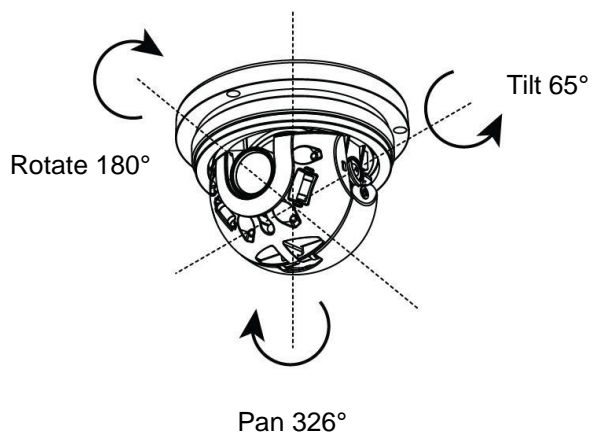


- ① Paste a Drilling Template on the ceiling or wall and drill screw points which will be done for installation.
- ② Fix the Surface Mounting Base by using Tapping Screws provided.
- ③ Fix the Flush mount Base on Surface Mounting Base.
- ④ Turn the camera Ass'y to the desired direction.
- ⑤ Turn the dome and shield cover to the camera direction.
- ⑥ Fix the Dome Cover Ass'y to the Flush mount Base by using Torx Screw and Torx L-Wrench.

• Ceiling_Junction Box



3.2 3-Axis Adjustment

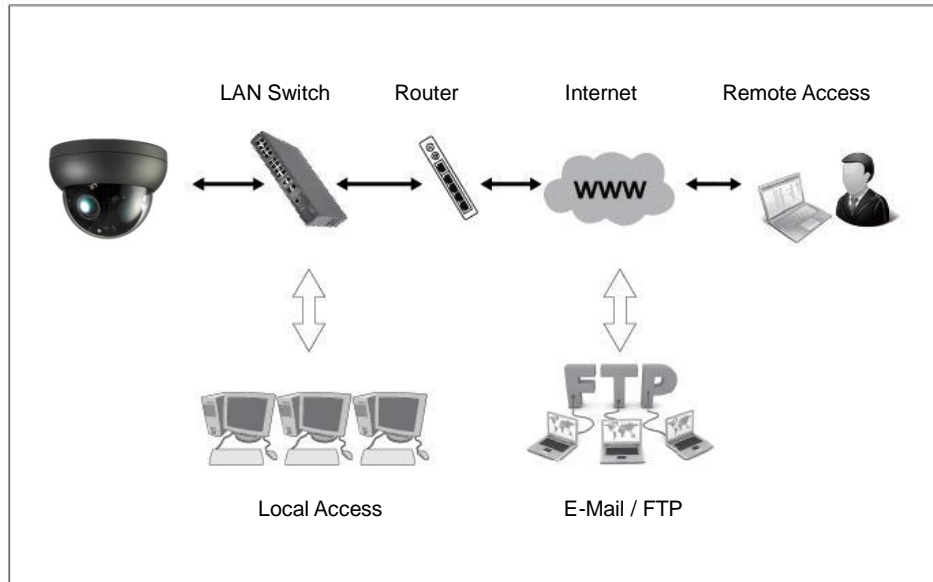


※ Tool-free 3-Axis mounting mechanism
Perfect Tri-axis!

- Panning axis up to 326° degree.
- Tilting axis up to 65° degree.
- Rotation axis up to 180° degree.

3.3 INSTALLATION EXAMPLE

3.3.1 Installation Example



3.3.2 Connecting to the Network

Open up IP Scanner.

IP Scanner can search for the device on the local network.

Please note that only devices that are on the same subnet can be discovered.

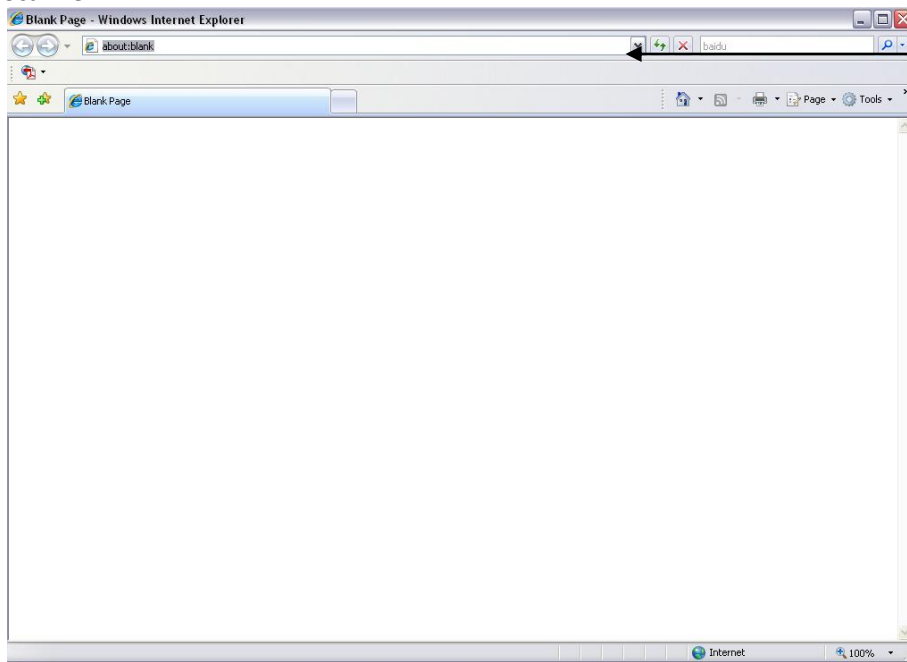
The device is set to DHCP mode by default.

In the device list, you can view the IP address, model number, and MAC address of each device. Select the applicable device and double click to open up the web viewer.

Status	Name	IP Address	MAC Address	Version
Online	O2D4M	192.168.56.128	00:07:18:FF:03:73	1.0.57
Online	O2D4	192.168.56.143	5C:F2:07:1C:28:CA	1.0.53
Online	VIP2PTZ12X	192.168.56.157	00:07:D8:17:8A:68	1.3.7-X1_release
Online	VIP2D1M	192.168.56.149	5C:F2:07:20:9D:AD	2.5.0-T3_release
Online	O5MDP1	192.168.56.139	5C:F2:07:1C:3E:66	1.0.47
Online	Eddie-O2DP8	192.168.56.104	5C:F2:07:1C:1F:74	1.0.47
Online	O5MDP1	192.168.56.124	5C:F2:07:1C:23:D8	1.0.47
Online	O2DP9	192.168.56.147	5C:F2:07:1C:74:16	1.0.54
Online	OB1	192.168.56.105	5C:F2:07:1C:01:3B	
Online	OPTZ36XI	192.168.56.140	5C:F2:07:1C:03:1D	
Online	n/a	192.168.56.130	5C:F2:07:24:00:1A	2236.0.0.1412190
Online	n/a	192.168.56.14	5C:F2:07:24:03:C2	2236.0.0.1409180
Online	n/a	192.168.56.12	5C:F2:07:24:51:2E	2218.0.0.1409180
Online	O2VLB2	192.168.56.146	4C:11:BF:8A:23:64	

3.3.3 Accessing the Camera's Web Setup Page

- 1) Open the browser and enter the camera's IP address in the address bar or double click the device in IP Scanner.

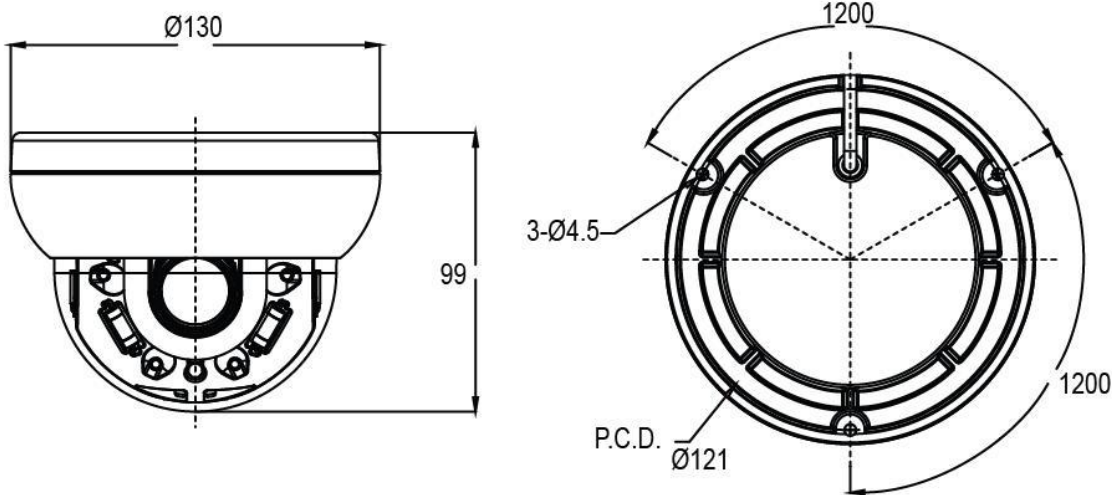


Enter the IP address here

- 2) Enter the user name and password when prompted.
- 3) Default user name is **admin** and password is **1234**.
- 4) If prompted for installation of the Active-X plug-in, allow the installation. Active-X is needed to view video from Internet Explorer.

4. DIMENSIONS (mm)

• Ceiling



• Ceiling_Junction Box

