



Owner's Manual

Full HD IP Bullet Camera

O2VLB2



Version 1.0

Welcome

Thank you for purchasing this network camera!

This owner's manual is designed to be a reference tool for your system.

Please read this manual carefully before operating the unit and retain it for future reference.

Should you require any technical assistance, please contact Speco Technologies Technical Support.

Important Safeguards and Warnings

1 . Electrical safety

All installation and operation here should conform to local electrical safety codes.

Use a certified/listed 12VDC Class 2 power supply only.

Please note: Do not connect two power supplying sources to the device at the same time; it may result in device damage! The product must be grounded to reduce the risk of electric shock.

Improper handling and/or installation could run the risk of fire or electrical shock.

2 . Transportation security

Heavy stress, violent vibration or exposure to water is not allowed during transportation, storage and installation.

3 . Installation

Do not apply power to the camera before completing installation.

Please install the proper power cut-off device during the installation connection.

Always follow the instructions in this guide.

4 . Qualified personnel

This camera should be installed by qualified personnel only.

All the examination and repair work should be done by qualified personnel.

Any unauthorized changes or modifications could void the warranty.

5 . Environment

This product should be installed in a cool, dry place away from direct sunlight and heat sources.

Do not install the product in extreme temperature conditions.

Do not expose the camera to electromagnetic radiation. Otherwise it may result in CMOS sensor failure.

Do not block any ventilation openings.

Do not allow water and liquid intrusion into the camera.

6. Maintenance

Please shut down the device and then unplug the power cable before you begin any maintenance work.

Do not touch the CMOS sensor optic component. You can use a blower to clean the dust on the lens surface.

Always use the dry soft cloth to clean the device. If there is too much dust, use a cloth dampened with a small quantity of neutral detergent. Finally use the dry cloth to clean the device.

Please use a professional optical cleaning method to clean the enclosure. Improper enclosure cleaning (such as using cloth) may result in poor IR functionality and/or IR reflection.

7. Accessories

Before installation, please open the package and check that all the components are included. Contact your distributor immediately if something is broken/missing in your package.

Accessory Name	Amount
Network Camera Unit	1
Quick Start Guide	1
Installation Accessories Bag	1
CD	1

Table of Contents

1	General Introduction.....	1
1.1	Overview	1
1.2	Specifications.....	1
1.2.1	Performance	1
2	Physical Specifications.....	2
2.1	Cable	2
2.2	Dimensions	3
3	Device Installation.....	5
4	IP Scanner	7
4.1	Overview	7
4.2	Operation	7
5	Web Operation.....	8
5.1	Login and Main Interface	8
6	FAQ.....	9
	Appendix Toxic or Hazardous Materials or Elements.....	10

1 General Introduction

1.1 Overview

This Speco device is a multi-codec (H.264, MJPEG) IP camera that integrates the traditional camera and network video technology. It enables real time transmission of synchronized video of full HD resolution.

Built-in IR LEDs allows for a suitable image in low light environments. IP66 compliant housing allows for outdoor installations. Built-in PoE (power over Ethernet) reduces wiring that's required during installation.

1.2 Specifications

1.2.1 Performance

Camera	Image Sensor	Progressive scan 1/3-inch CMOS
	Day/Night Mode	IR-cut filter
	Gain Control	Fixed/Auto
	White Balance	Manual/Auto
	BLC	On/Off
	Electronic Shutter	Manual/Auto/Low noise/Low motion blur Range: 1/3 to 1/100000.
	Video Compression	H.264/H.264B/H.264H/MJPEG
	Supported Resolutions	Main stream: 1920x1080 / 1280x720 @30fps Sub stream: 704x576 / 704x480 @ 30fps
	Video Bit Rate	VBR/CBR supported H.264H: 16Kbps-8192Kbps MJPEG: adjustable
	Video Flip	Mirror and flip
	Privacy Mask	Supports max 4 privacy mask zones
	Video Information	Channel title, time title, motion detection, tampering.
	Lens	3.6mm fixed
Network	Ethernet	10/100 Base-T
	Network Protocol	HTTP, TCP, ARP, RTSP, RTP, UDP, RTCP, SMTP, FTP, DHCP, DNS, DDNS, PPPOE, IPv4/v6, QoS, UPnP, NTP, HTTPS, Bonjour
	User Access	Max 20 users
	Security	User ID & password protection, IP address filtering, HTTPS, user access log
Operation & Unit	IR Range	65' (depending on scene reflection)
	Power	PoE (802.3af), 12VDC
	Power Consumption	6W max
	Operating Temperature	-22F ~ 140F
	Operating Humidity	≤95%
	Dimensions	2.6" (diam) x 6.1" (L)
	Unit Weight	1.4 lbs.

2 Physical Specifications

2.1 Cable

Refer to the following figure for cable information.

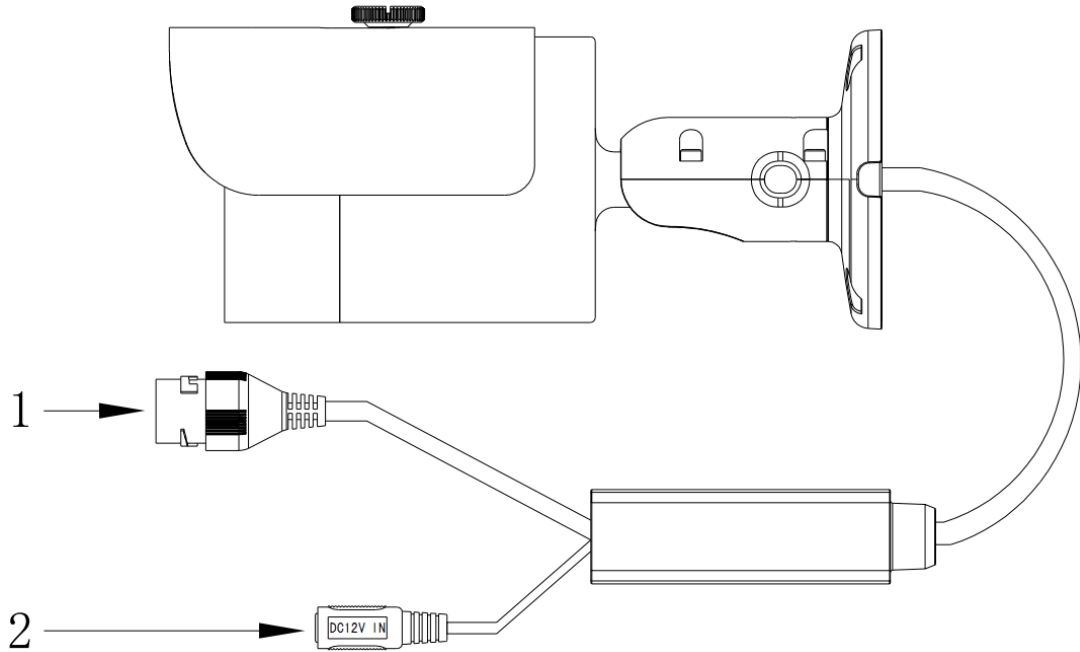


Figure 2-1 Cable

Please refer to the following sheet for detailed information.

No.	Port Name	Function	Connection	Note
1	LAN	Network port	Ethernet port	Connect to standard Ethernet cable for power and data
2	DC 12V	Power input port	DC jack	Power port. Input DC 12V.

2.2 Dimensions

Please refer to the following figure for dimension information. The unit is in mm. See Figure 2-3 to Figure 2-6.

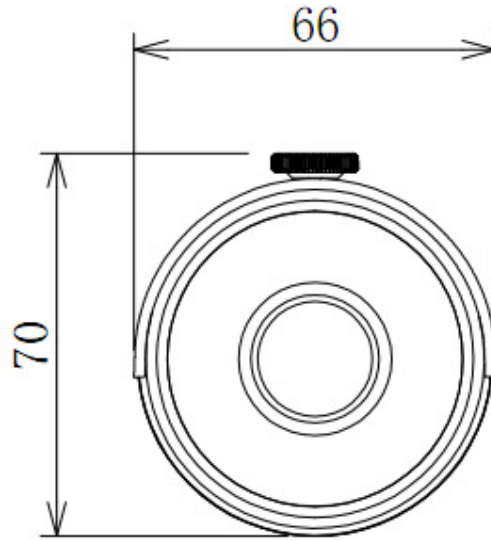


Figure 2-3

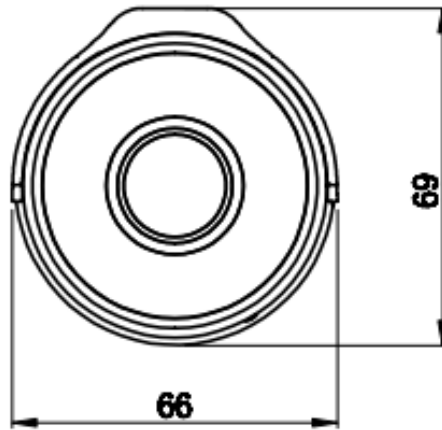


Figure 2-4

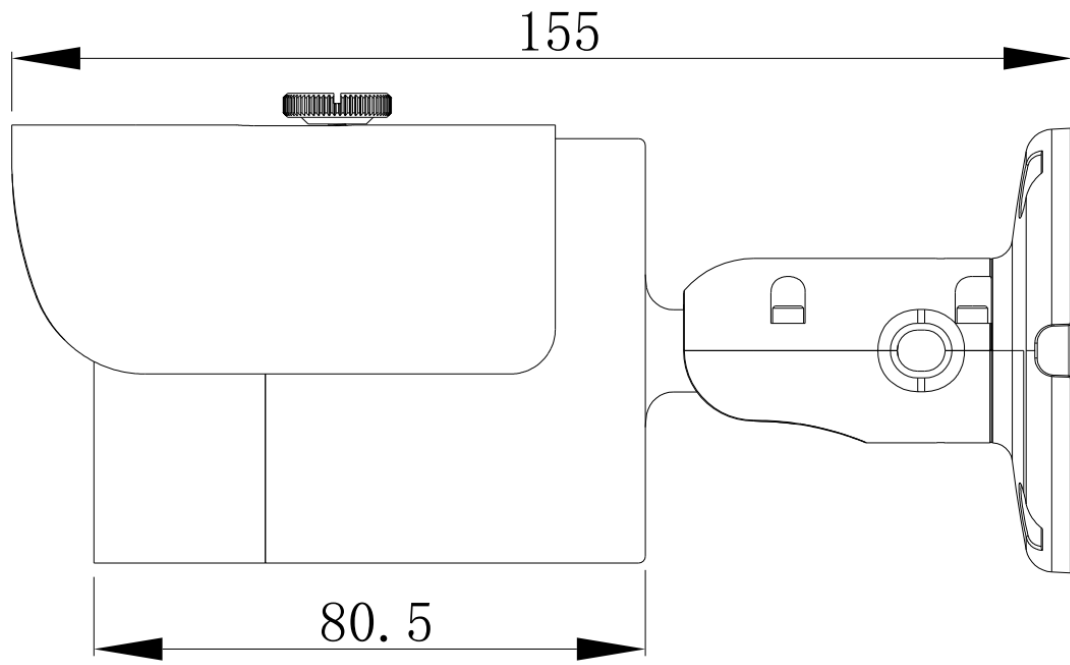


Figure 2-5

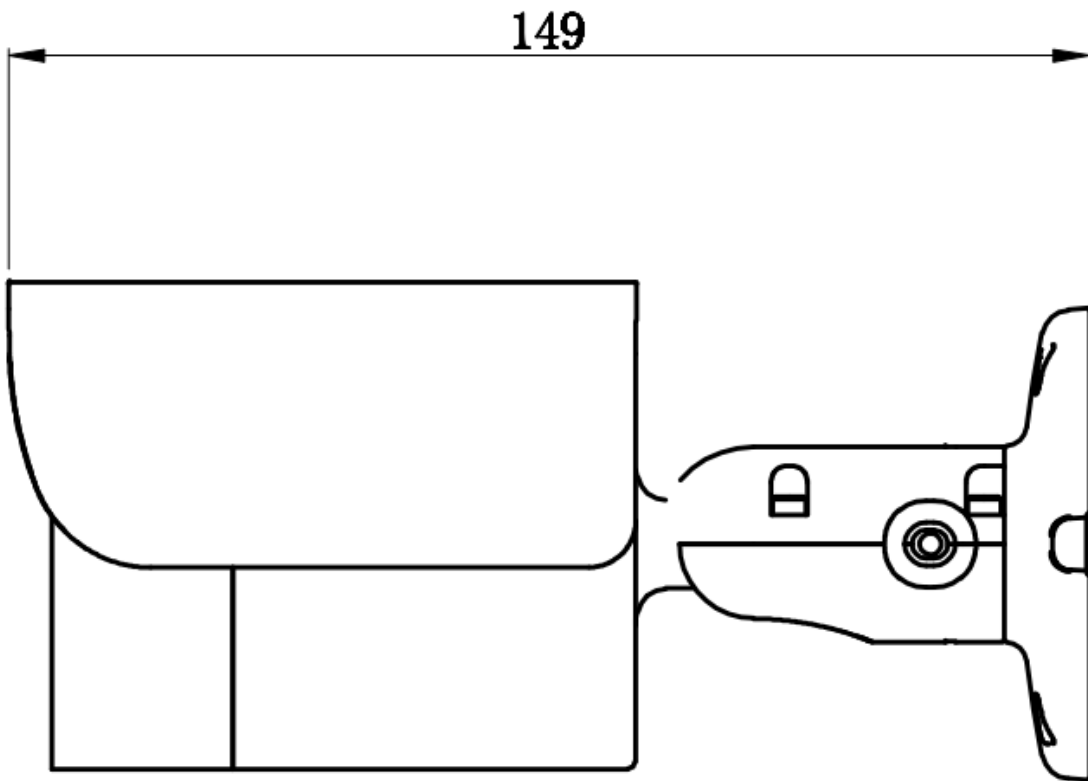


Figure 2-6

3 Device Installation

Important

Please make sure the installation surface can support a minimum of 3 times the weight of the camera.

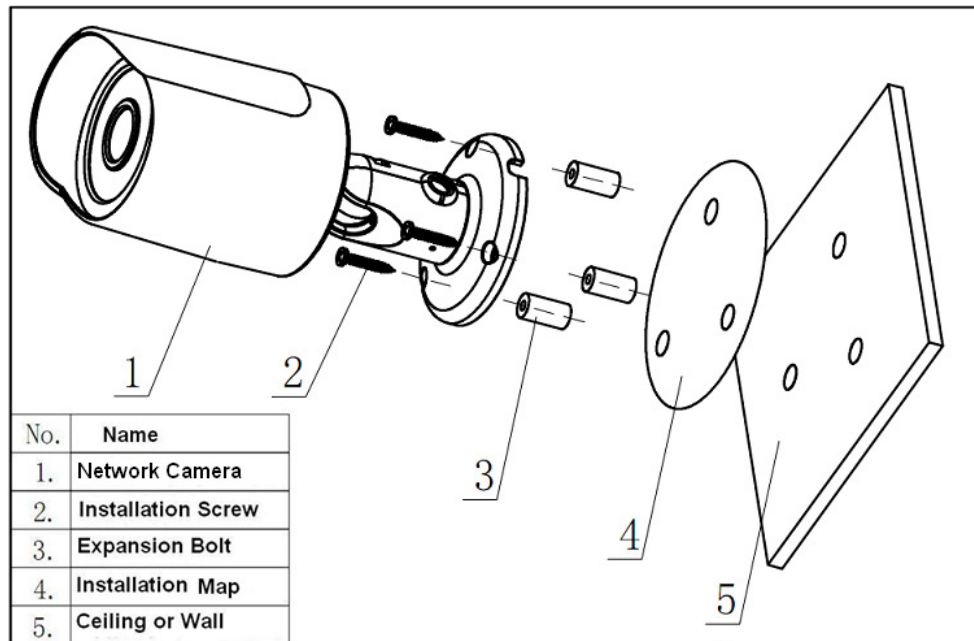


Figure 3-1 Device installation 1

Please see Figure 3-1 and Figure 3-2.

Step 1

Put installation template on the designated surface where you will install the device (wall or ceiling).

Step 2

Drill holes according to position of the holes on the installation template.

Step 3

Open accessories bag, take out the expansion bolts and insert them into the drilled holes.

Step 4

Take out the screws. Tighten the 4 screws to fix the device on the installation surface (wall or ceiling). The sun shield can be adjusted. Tighten the screws on the sun shield when finished.

Step 5

Connect all applicable wiring properly.

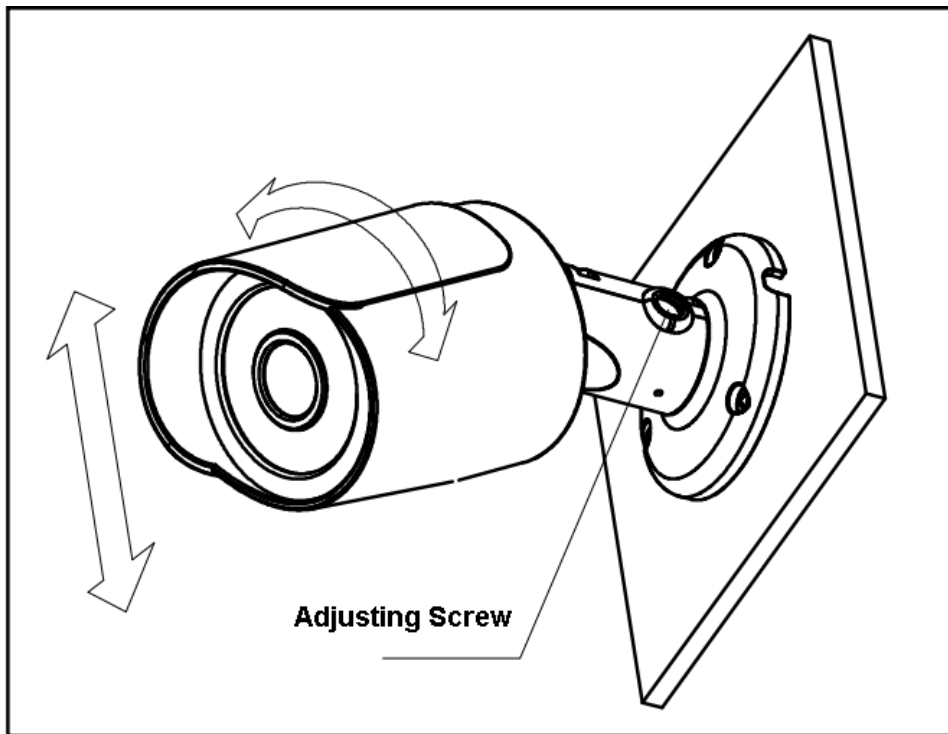


Figure 3-2 Device installation 2

Step 6

Use Philip's head screw (in accessories bag) to loosen adjusting screw.

Step 7

Adjust the device to point to the desired angle.

Step 8

Use Philip's head screw to tighten the screws.

4 IP Scanner

4.1 Overview

IP Scanner can search for the device on the local network.

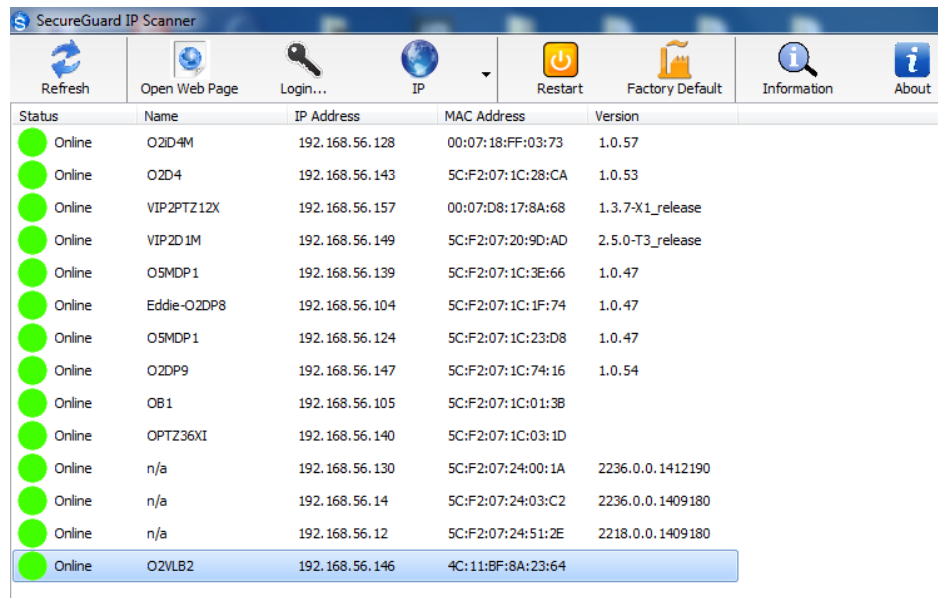
Please note that only devices that are on the same subnet can be discovered.

4.2 Operation

Open up IP Scanner.

Figure 4-1

In the device list, you can view the IP address, model number, and MAC address of each device. Select the applicable device and double click to open up the web viewer.



The screenshot shows the 'SecureGuard IP Scanner' application window. The interface includes a toolbar with buttons for Refresh, Open Web Page, Login..., IP (with a dropdown arrow), Restart, Factory Default, Information, and About. Below the toolbar is a table listing discovered devices. Each row includes a status indicator (a green circle), the device name, IP address, MAC address, and version. The device 'O2VLB2' is highlighted in blue.

Status	Name	IP Address	MAC Address	Version
Online	O2D4M	192.168.56.128	00:07:18:FF:03:73	1.0.57
Online	O2D4	192.168.56.143	5C:F2:07:1C:28:CA	1.0.53
Online	VIP2PTZ12X	192.168.56.157	00:07:D8:17:8A:68	1.3.7-X1_release
Online	VIP2D1M	192.168.56.149	5C:F2:07:20:9D:AD	2.5.0-T3_release
Online	O5MDP1	192.168.56.139	5C:F2:07:1C:3E:66	1.0.47
Online	Eddie-O2DP8	192.168.56.104	5C:F2:07:1C:1F:74	1.0.47
Online	O5MDP1	192.168.56.124	5C:F2:07:1C:23:D8	1.0.47
Online	O2DP9	192.168.56.147	5C:F2:07:1C:74:16	1.0.54
Online	OB1	192.168.56.105	5C:F2:07:1C:01:3B	
Online	OPTZ36XI	192.168.56.140	5C:F2:07:1C:03:1D	
Online	n/a	192.168.56.130	5C:F2:07:24:00:1A	2236.0.0.1412190
Online	n/a	192.168.56.14	5C:F2:07:24:03:C2	2236.0.0.1409180
Online	n/a	192.168.56.12	5C:F2:07:24:51:2E	2218.0.0.1409180
Online	O2VLB2	192.168.56.146	4C:11:BF:8A:23:64	

Figure 4-1 IP Scanner

5 Web Operation

This device supports viewing and management via a web browser on a PC.

5.1 Login and Main Interface

Open the browser and input network camera address in the address bar or double click the device in IP Scanner.
See Figure 5- 1.

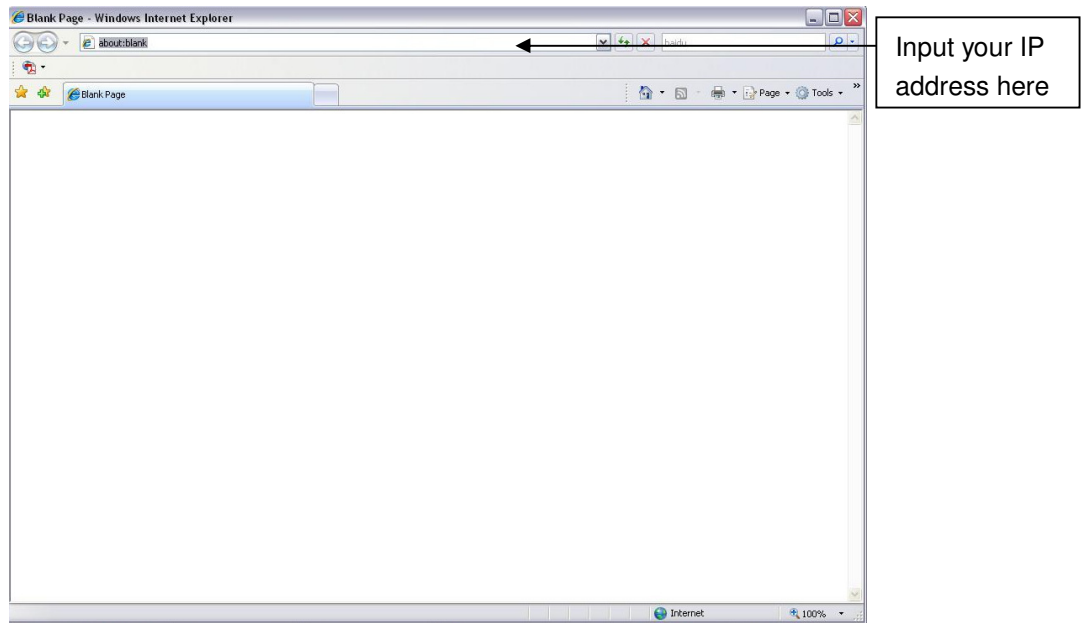


Figure 5- 1 IP address

The login interface is shown as below. See Figure 5- 2.

Please input your user name and password.

Default user name is **admin** and password is **1234**.

Note: For security purposes, please change the password after initial login.

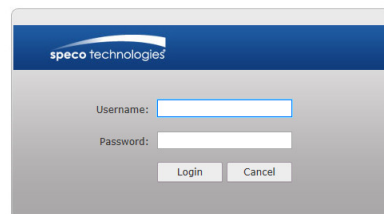
A screenshot of a web login interface. At the top is a blue header with the "speco technologies" logo. Below the header, there are two labels: "Username:" and "Password:". Each label is followed by a white text input field. At the bottom of the form are two buttons: "Login" and "Cancel".

Figure 5- 2 Web login

After logging in, follow directions to install applicable plugins.

6 FAQ

Bug	
Water leakage has occurred.	<ul style="list-style-type: none">● Removal of the front or rear cap may result in water leakage.● The glass front cap has sustained heavy push or strike.● The waterproof plug of the rear cap has loosened.
IR video is poor.	<ul style="list-style-type: none">● If there is not enough power, the IR LEDs may not function properly.● The object is out of the IR distance range of current device.
Cannot log in to the web viewer.	<ul style="list-style-type: none">● The Active X control is blocked.● The graphics card version needs to be dx8.1 or higher.● Network connection error has occurred.● Invalid network setup.● Invalid user name or password.
Settings updates	After modifying important camera settings, please reboot the device to make sure the new settings are applied.

Appendix Toxic or Hazardous Materials or Elements

Component Name	Toxic or Hazardous Materials or Elements					
	Pb	Hg	Cd	Cr VI	PBB	PBDE
Circuit Board Component	○	○	○	○	○	○
Device Case	○	○	○	○	○	○
Wire and Cable	○	○	○	○	○	○
Packing Components	○	○	○	○	○	○
Accessories	○	○	○	○	○	○

O: Indicates that the concentration of the hazardous substance in all homogeneous materials in the parts is below the relevant threshold of the SJ/T11363-2006 standard.

X: Indicates that the concentration of the hazardous substance of at least one of all homogeneous materials in the parts is above the relevant threshold of the SJ/T11363-2006 standard. During the environmental-friendly use period (EFUP) period, the toxic or hazardous substance or elements contained in products will not leak or mutate so that the use of these (substances or elements) will not result in any severe environmental pollution, any bodily injury or damage to any assets. The consumer is not authorized to process such kind of substances or elements, please return to the corresponding local authorities to process according to your local government statutes.

Note

- This user's manual is for reference only. Slight difference may be found in user interface.
- All the designs and software here are subject to change without prior written notice.
- All trademarks and registered trademarks mentioned are the properties of their respective owners.
- Please visit our website at specotech.com or contact customer service for more information.