



Parts in the box

Kit "A" (5066143)	Kit "B" (5066145)	Kit "C" (5066144)
<p>Black mounting plate Black adapter</p>	<p>Gold mounting plate Gold adapter Black adapter</p>	<p>Silver mounting plate Silver adapter</p>
<p>Mounting plate screws Interior assembly screws</p>	<p>Mounting plate screws Interior assembly screws Interior cover screws</p>	<p>Mounting plate screws Interior assembly screws</p>
<p>Interior cover</p>	<p>Interior assembly</p>	<p>Battery pack and 4 AA batteries</p>

ENGLISH

convert

Smart Lock Conversion Kit

Installation and User Guide

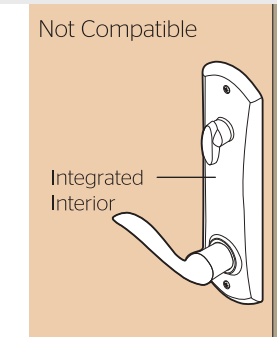
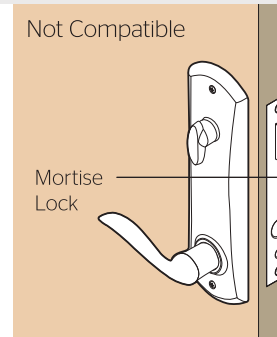
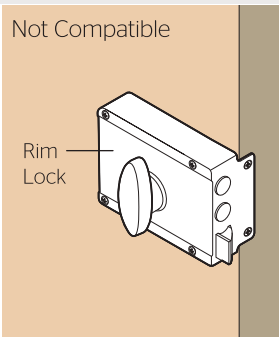
Tools needed

Phillips head screwdriver
Existing key
Ruler
Masking tape

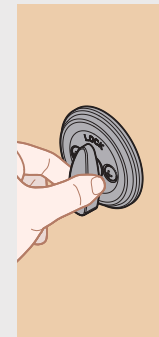
Kwikset Technical Support
1-866-863-6584
www.kwikset.com

1 Prepare your door

A Make sure your existing deadbolt is compatible. If you have a standard deadbolt mounted separately from the handle below it, it is compatible with Kwikset Convert.

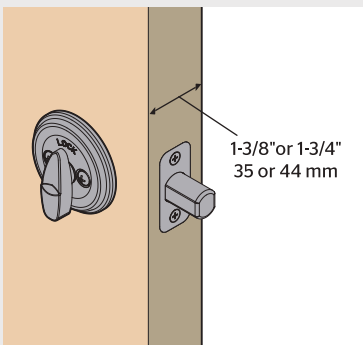


B Make sure your door is aligned before proceeding with installation.

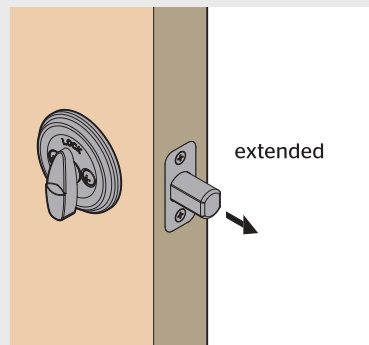


You should be able to lock and unlock your door smoothly without any resistance, and without pushing, pulling or lifting your door.
If your door is not aligned, you may need to order a Warped Door Service Kit, available through Kwikset Support: 1-866-863-6584

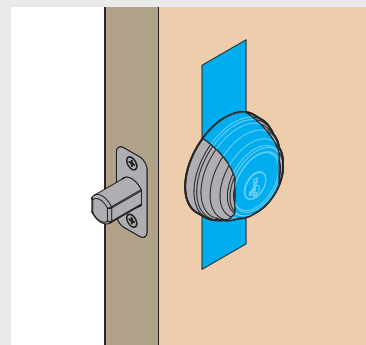
C Measure to confirm that your door is either 1-3/8" or 1-3/4" (35 mm or 44 mm) thick.



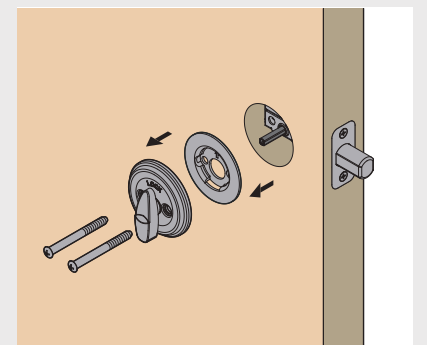
D Make sure your door is open and extend your latch bolt. Make sure your key is NOT in the deadbolt exterior.



E Secure your deadbolt exterior with masking tape.



F Remove all existing deadbolt hardware from the interior side of your door.

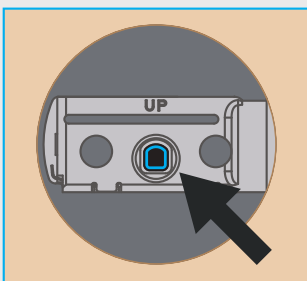


2 Determine the parts needed for your door

NOTE: You will only use one of the three provided kits. To determine which kit you should use, look at the hole in your door. What shape is your torque blade (the part sticking out through the latch)?

For a list of compatible deadbolt models, please see the Kwikset Convert page at www.kwikset.com

D-shape

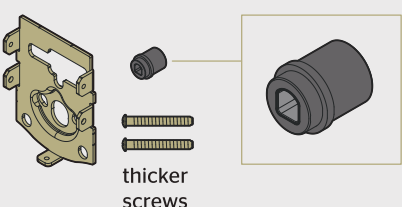


Kwikset and Weiser deadbolts:
Use kit "A" (5066143) for your door.

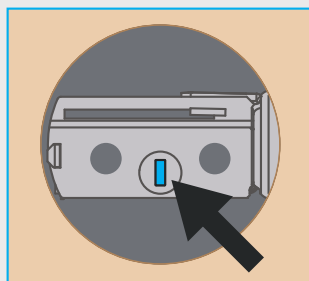


Baldwin Reserve and Baldwin Prestige deadbolts:
Use kit "B" (5066145) for your door.

You will need the black adapter and the thicker gold screws.

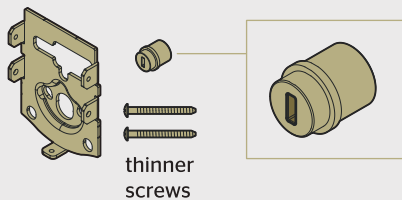


Vertical rectangle

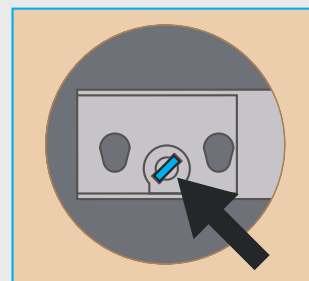


Baldwin Estate deadbolts:
Use kit "B" (5066145) for your door.

You will need the gold adapter and the thinner gold screws.

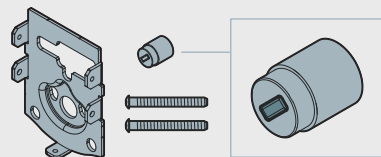


Slanted rectangle

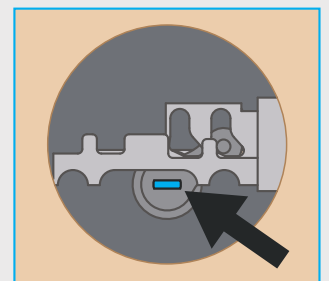


Schlage deadbolts:
Use kit "C" (5066144) for your door.

You will need the silver adapter.

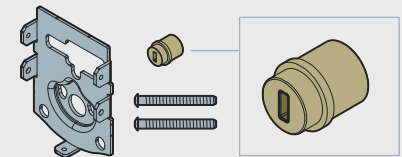


Horizontal rectangle



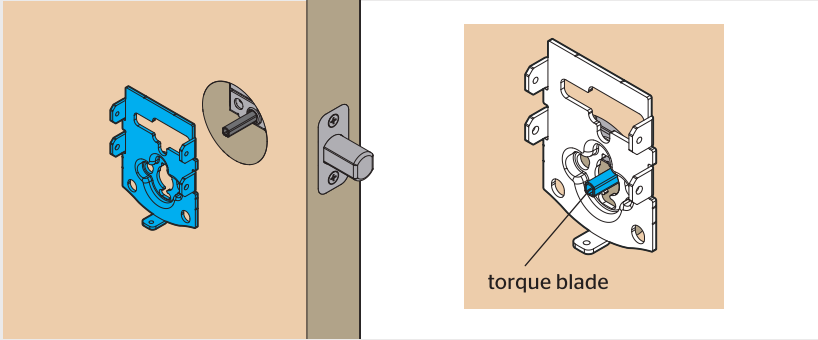
Schlage deadbolts:
Use kit "C" (5066144) for your door.

You will need the gold adapter.



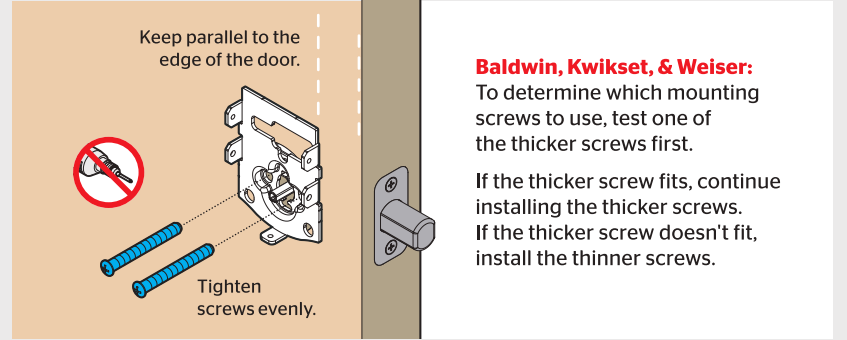
3 Install the mounting plate and test your latch

A Place the mounting plate on the door so that the torque blade inserts through the center hole.

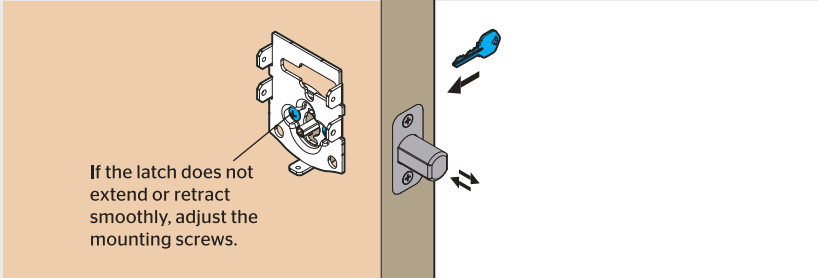


Note: A D-shaped torque blade is shown, but installation is the same for all models.

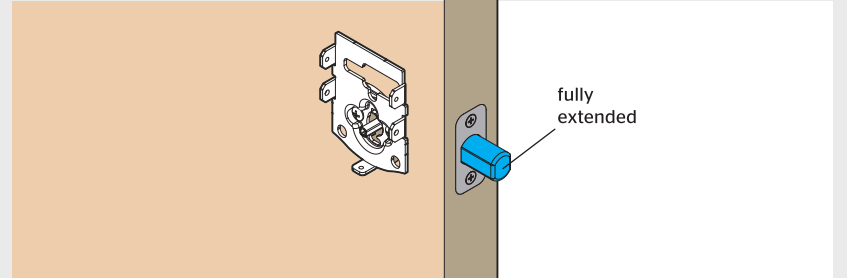
B Secure the mounting plate with the mounting screws.



C Remove the masking tape from the exterior deadbolt, and insert your key and test the latch for smooth operation.



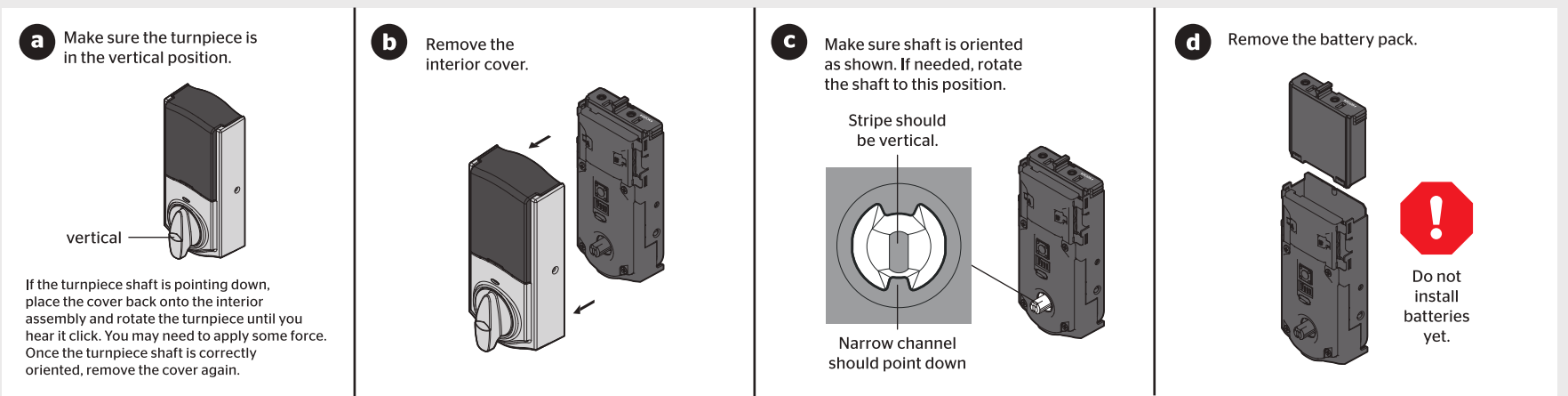
D Remove your key and make sure the bolt is fully extended.



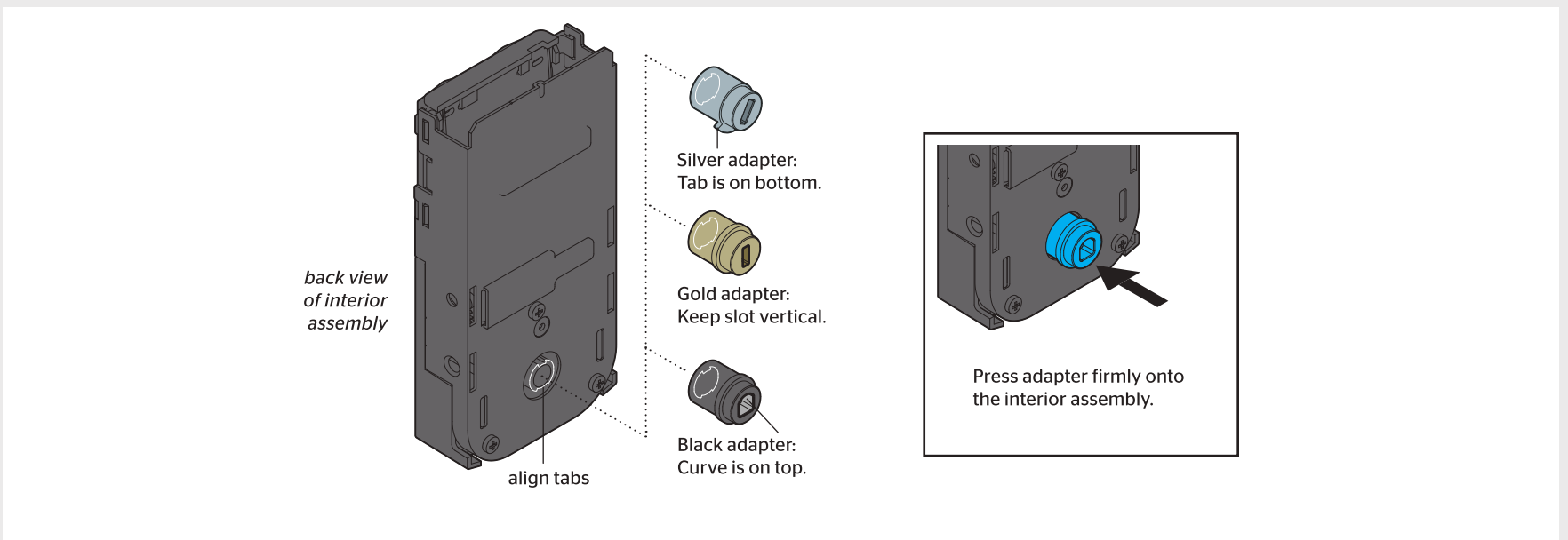
4 Install the interior assembly



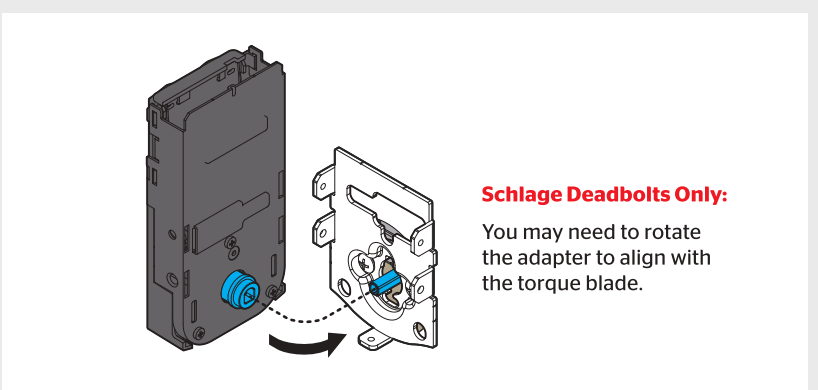
A Remove the interior cover and battery pack.



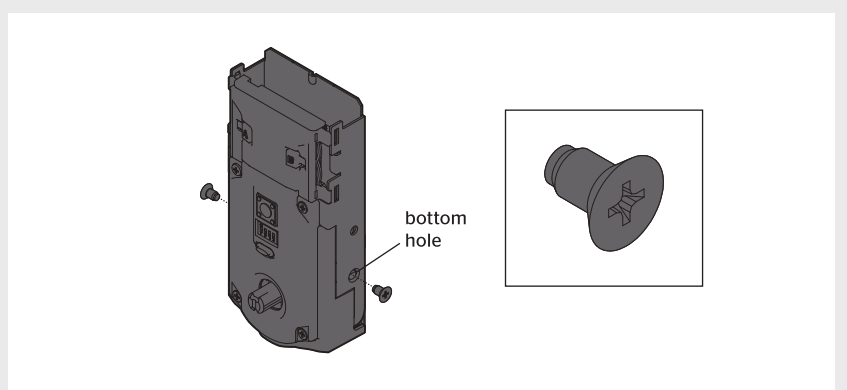
B Install the adapter on the interior assembly.



C Align the adapter with the torque blade and push the interior assembly onto the mounting plate.



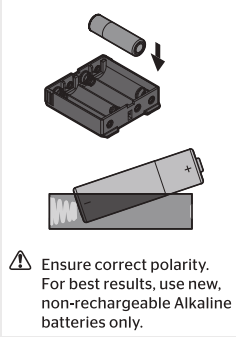
D Secure with two (2) interior assembly screws.



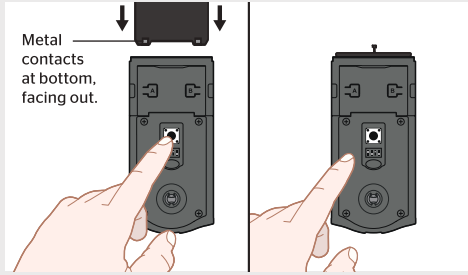
5 Perform the door handing process

This step will teach the lock the orientation of your door and is crucial for lock operation.

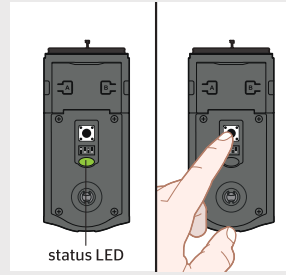
- A** Install 4 AA batteries in the battery pack.



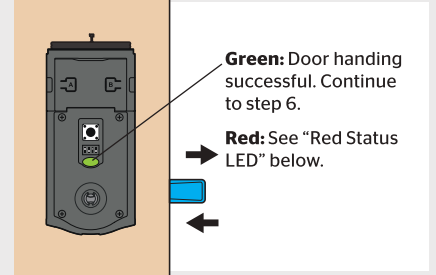
- B** Make sure the door is open. Insert the battery pack while **PRESSING AND HOLDING** the Program button. Keep pressing the button for three seconds after the battery pack is installed, then release the button.



- C** The Status LED will flash red and green, and the lock will beep. **Press and release the Program button again.**



- D** The latch bolt will retract and extend on its own to learn the orientation of the door. Did the Status LED turn green or red?



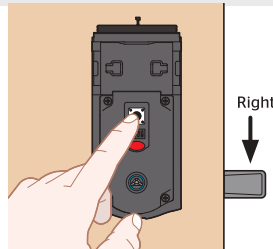
If the bolt does not move, make sure the batteries are installed correctly, and perform steps 5A-5D again.

Red Status LED

BALDWIN ESTATE DEADBOLTS:

If your latch bolt is to the **RIGHT** of your interior assembly, and the Status LED is solid red after door handing, **press and release the Program button again**. The door handing process will restart.

If you are unsure if your lock is Baldwin Estate, see step 2 on page 1.



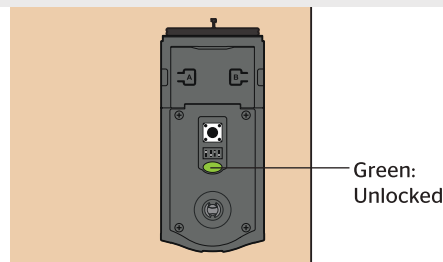
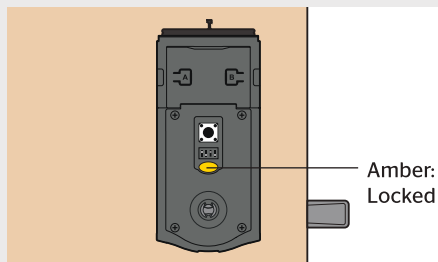
OTHER DEADBOLTS:

If the Status LED is solid red after door handing, make sure the batteries are installed correctly and the lock interior is correctly installed. Perform steps 5A-5D again.

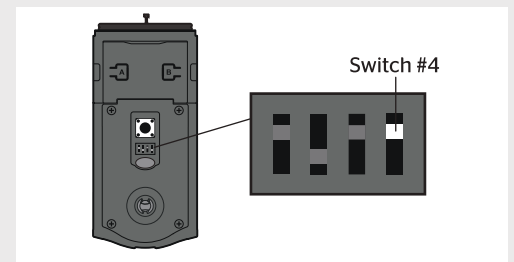
If the door handing process is still unsuccessful after a second attempt, see the Manual Door Handing section on page 4.

6 Confirm the lock status

- A** After successful handing, the Status LED blinks every six seconds to communicate whether the door is locked or unlocked.



- B** If the Status LED shows the opposite color to the latch bolt position, flip switch #4.



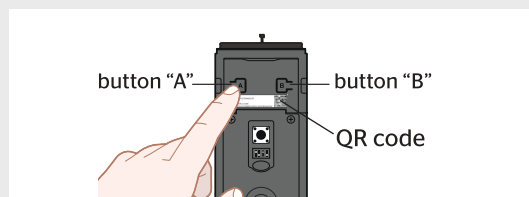
7 Pair the lock with your smart home system

- A** Initiate the pairing process through your smart home system (either through your smart home app, at your panel, or at your controller or hub).

Refer to your smart home system instructions for more information.

- B** You may be prompted by your smart home system to scan the QR code on the interior assembly. If not, proceed to step C.

- C** When prompted by your smart home system to initiate pairing at the lock, press button "A" on the lock interior four times.



- D** If the pairing process is successful, re-name the lock in your system (if applicable).

- E** If unsuccessful, press button "B" nine times. Perform steps 7A-7D again.

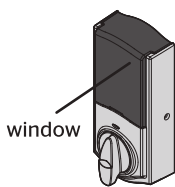
If still unsuccessful, follow your smart home system's instructions to remove (exclude/unpair) the lock from any other network. Then perform steps 7A-7D again.

8 Install the interior cover

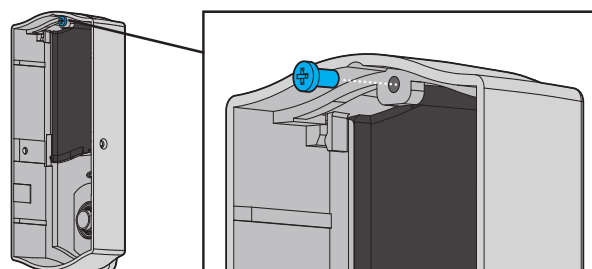
actual size

Important Information about the interior cover

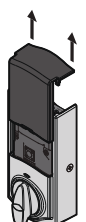
The window on the interior cover is locked by default to prevent someone from tampering with your lock's settings.



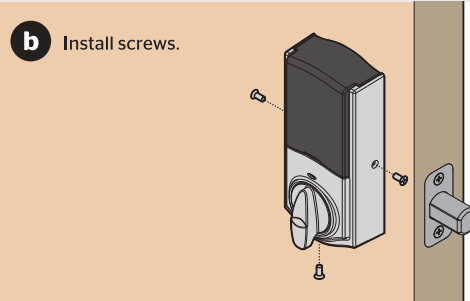
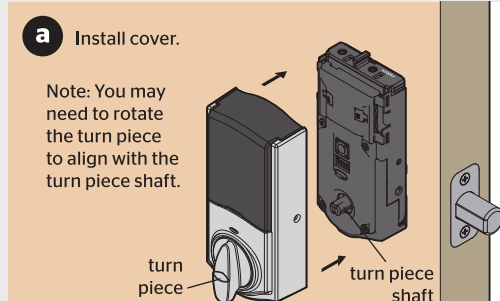
For more convenient access to the programming buttons and the battery pack while the cover is installed, you may choose to unlock the window by removing the security screw.



When the window is unlocked, you can slide up the window to access the battery pack and programming buttons.

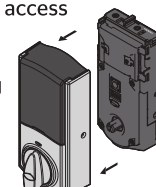


Cover Installation:

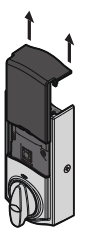


Battery Pack Access:

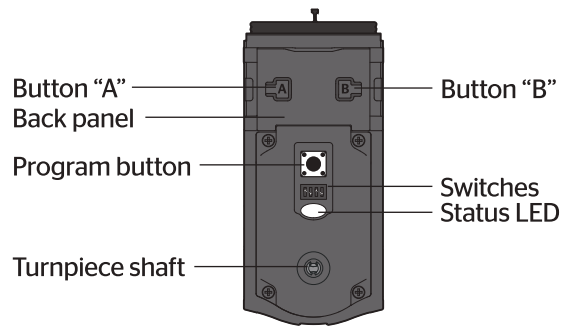
If the window is locked, remove the interior cover and screws to access the battery pack and programming buttons.



If the window is unlocked, slide up the window to access the battery pack and programming buttons.



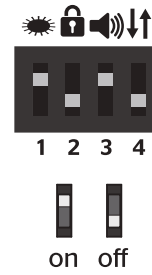
Kwikset Convert at a Glance



Switches

These features can be adjusted in some smart home apps.

Once the associated functions are set by ZigBee, the setting of switches #1, 2, and 3 no longer affect the lock operation until a factory reset is completed.



1. Status LED

Door lock status LED blinks every 6 seconds. ON position is factory default.

2. Auto-Lock ⚠️

Automatically re-locks door 30 seconds after unlocking. OFF position is factory default.

⚠️ CAUTION: With this feature enabled, it is possible to lock yourself outside.

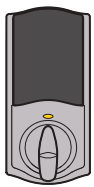
3. Audio

Beeping sound is heard during programming and normal operation. ON position is factory default.

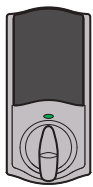
4. Invert ⚠️

Only used if the Status LED is communicating the opposite door lock status.

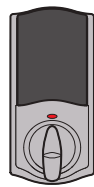
Status LED Notifications



Amber flash
Door is locked



Green flash
Door is unlocked.



Red flash
The 4 AA batteries in the interior are low and need to be replaced.

Factory Reset

A factory reset will remove your lock from your smart home system.

<p>1 Remove battery pack.</p>	<p>2 Press and HOLD the Program button while reinserting the battery pack.</p> <p>Keep holding the button for 30 seconds until the lock beeps and the status LED flashes red.</p>
<p>3 Press the Program button once more. When the LED flashes green and you hear two beeps, the lock has been reset.</p>	<p>4 Perform the door handing process again to teach the lock the orientation of the door and pair the lock to your smarthome system.</p>

Network Information

Removing the lock from the network
Press button "B" on the lock interior nine times.



ZigBee System Notes

ZigBee is a "Wireless mesh network," and results may vary based on building construction and communication path, with 35+ feet being typical installed distance in a standard home environment and 250 feet+ when the lock has a clear line of sight with the smart home controller or hub. It may be necessary to install additional ZigBee devices to enhance the communication path between the lock and controller/hub for a more robust ZigBee network.

Manual Door Handing

If needed, the door handing process can be initiated manually. This is useful if the lock is being moved to a different door.

<p>1 Remove battery pack.</p>	<p>2 Press and HOLD the Program button while reinserting the battery pack.</p> <p>Release button shortly after battery pack is installed. The status LED will flash red and green.</p>
<p>3 Press the Program button once more.</p>	<p>4 The latch bolt will extend and retract to learn the orientation of the door. The Status LED will indicate success or failure.</p> <p>Success: LED flashes green Failure: LED remains solid red for 5 seconds</p>

Important Safeguards

1. Read all instructions in their entirety.
2. Familiarize yourself with all warning and caution statements.
3. Remind all family members of safety precautions.
4. Always have access to your lock's standard key.
5. If using the Auto-Lock feature, make sure to have your standard key with you to prevent locking yourself out.
6. Replace low batteries immediately.

⚠️ CAUTION: Prevent unauthorized entry. Restrict access to your lock's back panel and routinely check your settings to ensure they have not been altered without your knowledge.

⚠️ WARNING: This Manufacturer advises that no lock can provide complete security by itself. This lock may be defeated by forcible or technical means, or evaded by entry elsewhere on the property. No lock can substitute for caution, awareness of your environment, and common sense. Builder's hardware is available in multiple performance grades to suit the application. In order to enhance security and reduce risk, you should consult a qualified locksmith or other security professional.