

HS-WX300 User Guide

Created by Mark Colegrove, last modified on Aug 03, 2021

Online manual for the HS-WX300 In-wall Dimmer & Switch



Overview

HS-WX300 is a Z-Wave in-wall light switch that may be configured to operate as either a dimmer switch or an on/off switch. It may be installed with or without a neutral wire and it works with both wired and wireless companion switches in 3-way circuit configurations. This switch has been designed, tested and certified for use in the United States and Canada.

Important

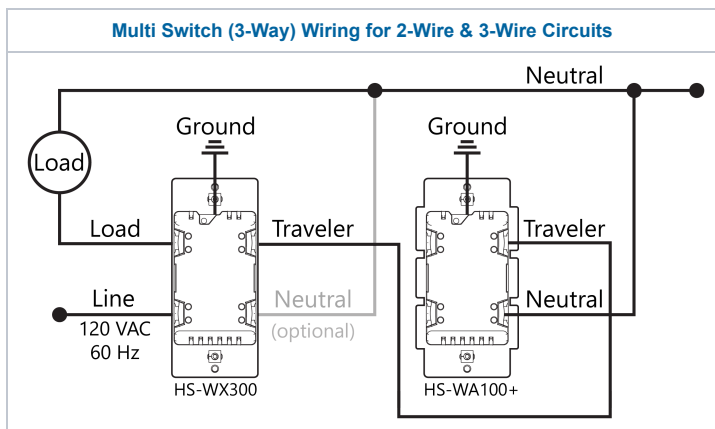
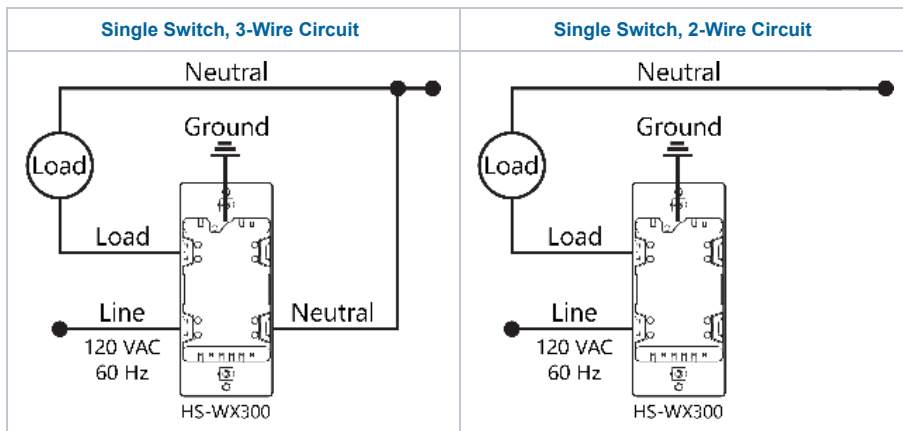
⚠️ WARNING RISK OF FIRE | RISK OF ELECTRICAL SHOCK | RISK OF BURNS

DO NOT USE THIS SWITCH TO CONTROL ANYTHING THAT MAY PRESENT A HAZARD WHEN CONTROLLED REMOTELY OR USED IN AN UNATTENDED FASHION. DO NOT USE WITH MEDICAL AND LIFE SUPPORT INSTRUMENTS.

CAUTION: To Reduce the Risk of Overheating And Possible Damage To Other Equipment, Do Not Install To Control A Receptacle, A Motor-Operated Appliance, A Fluorescent Lighting Fixture, Or A Transformer-Supplied Appliance.

Circuit Types

Most lighting loads are powered with line (120 VAC) and neutral wires. The line wire always runs through the wall switch box but the neutral may not be present there. If the neutral wire is present, use the 3-wire method below. If no neutral is present, use the 2-wire method. For 3-way circuits, a neutral is only required at the companion switch location (using HS-WA100+ or standard 3-way switches).



Installation

Tools required

- Medium Standard (flat head) Screwdriver
- Medium Philips Screwdriver

- Wire Cutter & Stripper

Steps

1. Shut off power to the circuit at the circuit breaker or fuse box.
⚠ **VERIFY power is OFF before continuing!**
2. Remove existing switch's wall plate and mounting screws. Carefully remove the existing switch from the electrical box but leave the wires connected.
3. There may be up to five wires connected to the existing switch. Make note of these wires and label, if necessary, to ensure correct installation of the HS-WX300. You will need to match these wires with the corresponding screw terminals on the HS-WX300.

Note: LINE, and LOAD wires are required for every installation. If a NEUTRAL wire is present, we recommend using that also for best performance, particularly for dimming loads. Wires are usually color-coded for easy identification. However, colors can deviate from what's shown in the list below, depending upon the original installer. We recommend using a multi-meter or voltage detector to verify which wire is actually connected to power before wiring. In general, the colors follow the convention below.

- LINE (120 VAC) - Black (connected to power)
 - NEUTRAL - White (this wire is often tied to other neutral wires and may require a jumper to connect with the HS-WX300)
 - LOAD - Black (connected to load)
 - GROUND — Green or Bare
 - TRAVELER — Red/Other (only used in 3-way circuits)
4. Disconnect the wires from the existing switch and attach those wires to the HS-WX300 using the screw terminal connectors on the back with the following procedure:
 5. Strip 16 mm (5/8") insulation from each wire*.
 6. With a screw driver, loosen each screw terminal by rotating the screw counter-clockwise a few turns until resistance is felt.
 7. There are two holes on the back of the switch near each screw terminal. Insert the stripped wire into one of these holes and tighten the screw terminal to secure the connection. Connections should be snug. *all wires should be 14 AWG or larger rated at 80°C or higher. Tightening torque should be 12 lbf-in (14kgf-cm). **Use copper wire only.**
 8. Carefully install the wired switch back into the electrical box and reattach the trim plate.

Configuration

Changing Switch Mode

(Must be done BEFORE Z-Wave inclusion)

HS-WX300 may be configured to operate as an ON-OFF switch or as a DIMMER. By default, it will operate as a dimmer. To change the switch mode, follow these steps:

1. Press & hold the small button located on the metal yoke next to the column of LEDs, **OR** if the trim plate is already installed, in rapid succession, tap the top paddle 3 times, then press & hold the top paddle for 3 seconds (tap-tap-tap-press & hold)
2. Observe the behavior of the LEDs
 - If all LEDs blink green 3 times, HS-WX300 is configured to function as a dimmer
 - If the bottom LED blinks blue 3 times, HS-WX300 is configured to function as an on-off switch

Changing Wire Mode

HS-WX300 may be installed with a neutral wire (3-wire mode) or without a neutral wire (2-wire mode). Selecting the correct wire mode will yield the best results, especially if the switch is configured as a dimmer. By default, 3-wire mode is enabled. To change the wire mode (at the switch):

1. Turn the power off
2. In rapid succession, tap the **top** paddle 2 times, then press & hold the top paddle for 3 seconds (tap-tap-press & hold)
3. Observe the behavior of the LEDs
 - If the bottom 3 LEDs flash white 3 times, HS-WX300 is configured for 3-wire mode
 - If the bottom 2 LEDs flash white 2 times, HS-WX300 is configured for 2-wire mode

Note: Wire mode may also be changed by the hub using Z-Wave parameter 32. See the Z-Wave Parameters section at the end of this user guide.

Z-Wave Inclusion or Exclusion

Follow this 2-step procedure to add (or remove) your new HomeSeer switch to (or from) your Z-Wave network:

1. Put your Z-Wave controller into inclusion (or exclusion) mode. Consult your controller's manual if you're unsure how to do this.
2. In rapid succession, tap the **bottom** paddle 2 times, then press & hold the bottom paddle for 3 seconds (tap-tap-press & hold). This will initiate the inclusion (or exclusion) process. **Note:** The switch will default to dimmer mode after Z-Wave exclusion.

Factory Reset

To be used only in the event that the network primary controller is lost or otherwise inoperable.

1. In rapid succession, tap the **top** paddle 3 times, then tap the bottom paddle 3 times. If all LEDs flash white 5 times, factory reset was successful. If not, repeat this procedure.
Note: As this must be done very quickly, we recommend using 2 fingers for this operation; one on each paddle!
Note: The switch will default to 3-wire mode and dimmer mode after factory reset.

Association

This product supports Group 1 and Group 2 Associations with up to five Z-Wave devices per group. Group 1 supports Lifeline Communication, Group 2 supports Basic Set, refer to your controller manual for instructions on setting up these features.

Operation

Your new HomeSeer switch may be operated locally (by pressing the paddle) or remotely using a Z-Wave compatible hub or system

Local Control

Parameter	Description	Bytes	Value	Default	Dimmer Mode	Switch Mode
3	Sets bottom LED operation (in normal mode)	1	0 = all LED ON if load is OFF 1 = all LED OFF if load is OFF	1	Y	Y
4	Sets paddle's load orientation	1	0 = Top of Paddle turns load ON 1 = Bottom of Paddle turns load ON	0	Y	Y
5	Sets the lowest dimming threshold	1	Possible values: 1-14 3-wire mode (1=16%, 14=25%) 2-wire mode (1=25%, 14=30%)	1	Y	N
6	Enables/Disables Central Scene and multiple tap functions	1	0 = Central Scene Enabled, controls load with delay. Enables Multi-tap and press and hold 1 = Central Scene Disabled, controls load instantly. Disables multi-tap, central scene, press and hold	0	Y	Y
11	Set dimmer Ramp rate for remote control	1	Possible values: 0-90 0=No delay (instant ON), 1=1 second	3	Y	N
12	Set dimmer Ramp rate for local control	1	Possible values: 0-90 0=No delay (instant ON), 1=1 second	3	Y	N
13	Sets the display mode of the LEDs	1	0=Normal mode (LEDs show load status) 1=Status mode (custom LED status)	0	Y	Y
14	Sets the Normal display mode LED color	1	Possible values: 0-6 0=White, 1=Red, 2=Green, 3=Blue, 4=Magenta, 5=Yellow, 6=Cyan	0	Y	Y
21	Sets the Status mode LED 1 (bottom) color	1	Possible values: 0-7 0=Off, 1=Red, 2=Green, 3=Blue, 4=Magenta, 5=Yellow, 6=Cyan, 7=White	0	Y	Y
22	Sets the Status mode LED 2 color	1				
23	Sets the Status mode LED 3 color	1				
24	Sets the Status mode LED 4 color	1				
25	Sets the Status mode LED 5 color	1				
26	Sets the Status mode LED 6 color	1				
27	Sets the Status mode LED 7 (top) color	1				
30	Sets the dimmer Blink frequency for All LEDs in Status mode	1	Possible values: 0, 1-255 0=No blink, 1=100ms ON then 100ms OFF	5	Y	Y
31	Sets LED(s) 1-7 to Blink in Status mode	1	Bitmask defines specific LEDs to enable for blinking: Note: this decimal value is derived from a hex code calculation based on the following: Bit 0 = led 1, Bit 1 = led 2, Bit 2 = led 3, Bit 3 = led 4, Bit 4 = led 5, Bit 5 = led 6, Bit 6 = led 7 IE: value of 1 = first LED, 64 = led 7	0	Y	Y
32	Sets the Wire mode / no neutral mod of the switch	1	0 = 3 wire mode (Neutral, Line, & Load) 1 = 2 wire mode (Line & Load)	0	Y	Y

Specifications

Power	Requirements	120VAC / 60 Hz
Max Load	Incandescent Dimmable CFL/LED	600 watts 300 watts
Incandescent De-rating	Double-gang Box	500 watts
	Triple-gang Box	400 watts
Z-Wave	Frequency	908.4/916 MHz (US/CAN)
	Range	100+ ft. (line of sight)
Dimensions	Metal Yoke	1.79" x 4.13" (45.5mm x 105mm) (W x H)
	Plastic Housing	1.72" x 2.68" x 1.18" (43.7mm x 68mm x 30mm) (W x H x D)

Certifications	UL (US, Canada), FCC/IC, Z-Wave Plus
UL Specifications	For indoor use only Operating ambient temperature 0-40°C Method of mounting included: Independently mounted (Vertical position only) Operating control, Type 1.B action Pollution Degree 2 Rated Impulse Voltage 2500 V Software Class A

Warranty

HomeSeer warrants to the original purchaser that this product, for the warranty period, will be free from material defects and workmanship. This warranty is subject to proper installation and operation of the product. HomeSeer's sole obligation, under this warranty, is to repair, replace or correct any defect that was present at the time of delivery. This warranty does not extend to consequential or incidental damage to other products that may be used with this product. Warranty claims must be submitted in writing directly to HomeSeer at [HomeSeer.com](https://homeseer.com). Warranty period: limited 2 years from date of purchase

FCC statements:

This device complies with part 15 of the FCC Rules. Operation is subject to the following two conditions: (1) This device may not cause harmful interference, and (2) this device must accept any interference received, including interference that may cause undesired operation.

NOTE: The Caution: The user is cautioned that changes or modifications not expressly approved by the party responsible for compliance could void the user's authority to operate the equipment.

Note: This equipment has been tested and found to comply with the limits for a Class B digital device, pursuant to part 15 of the FCC Rules. These limits are designed to provide reasonable protection against harmful interference in a residential installation. This equipment generates, uses and can radiate radio frequency energy and, if not installed and used in accordance with the instructions, may cause harmful interference to radio communications. However, there is no guarantee that interference will not occur in a particular installation. If this equipment does cause harmful interference to radio or television reception, which can be determined by turning the equipment off and on, the user is encouraged to try to correct the interference by one or more of the following measures:

- Reorient or relocate the receiving antenna.
- Increase the separation between the equipment and receiver.
- Connect the equipment into an outlet on a circuit different from that to which the receiver is connected.
- Consult the dealer or an experienced radio/TV technician for help.

This equipment complies with FCC radiation exposure limits set forth for an uncontrolled environment. This equipment should be installed and operated with a minimum distance of 20cm between the radiator and any part of your body."

IC statements

This device contains licence-exempt transmitter(s)/receiver(s) that comply with Innovation, Science and Economic Development Canada's licence-exempt RSS(s). Operation is subject to the following two conditions:

- (1) This device may not cause interference.
- (2) This device must accept any interference, including interference that may cause undesired operation of the device.

L'émetteur/récepteur exempt de licence contenu dans le présent appareil est conforme aux CNR d'Innovation, Sciences et Développement économique Canada applicables aux appareils radio exempts de licence. L'exploitation est autorisée aux deux conditions suivantes :

- (1) L'appareil ne doit pas produire de brouillage;
- (2) L'appareil doit accepter tout brouillage radioélectrique subi, même si le brouillage est susceptible d'en compromettre le fonctionnement.

This equipment complies with ISED RSS-102 radiation exposure limits set forth for an uncontrolled environment. This equipment should be installed and operated with a minimum distance of 20cm between the radiator and any part of your body.

Pour se conformer aux exigences de conformité CNR 102 RF exposition, une distance de séparation d'au moins 20 cm doit être maintenue entre l'antenne de cet appareil et toutes les personnes."

Supplier's Declaration of Conformity

47 CFR 2.1077 Compliance Information
 Responsible Party – US Contact Information
 10 Commerce Park North, Unit 10
 Bedford, NH 03110 United States
 Model: WD700
<https://homeseer.com/support-home>

This product employs or practices certain features and/or methods of the following U.S. Patents: U.S. Patent Nos. 6,891,838, 6,914,893 and 7,103,511.

[manual](#)