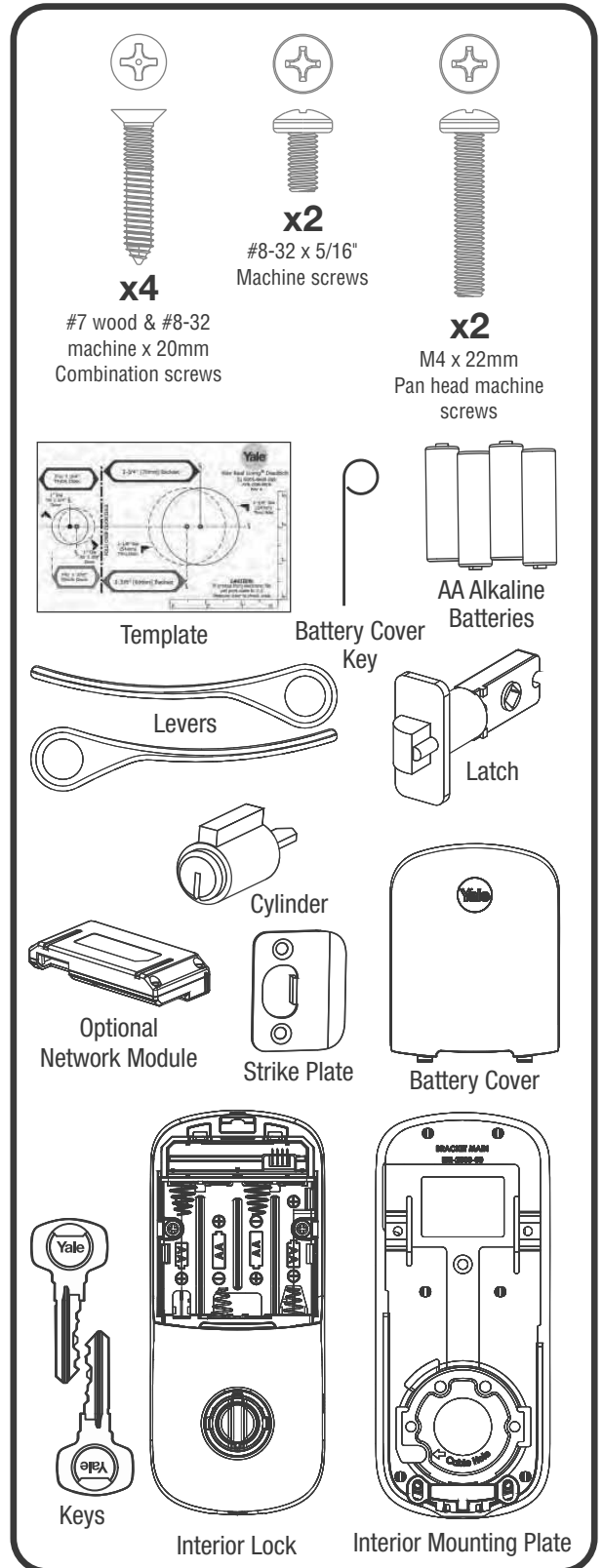
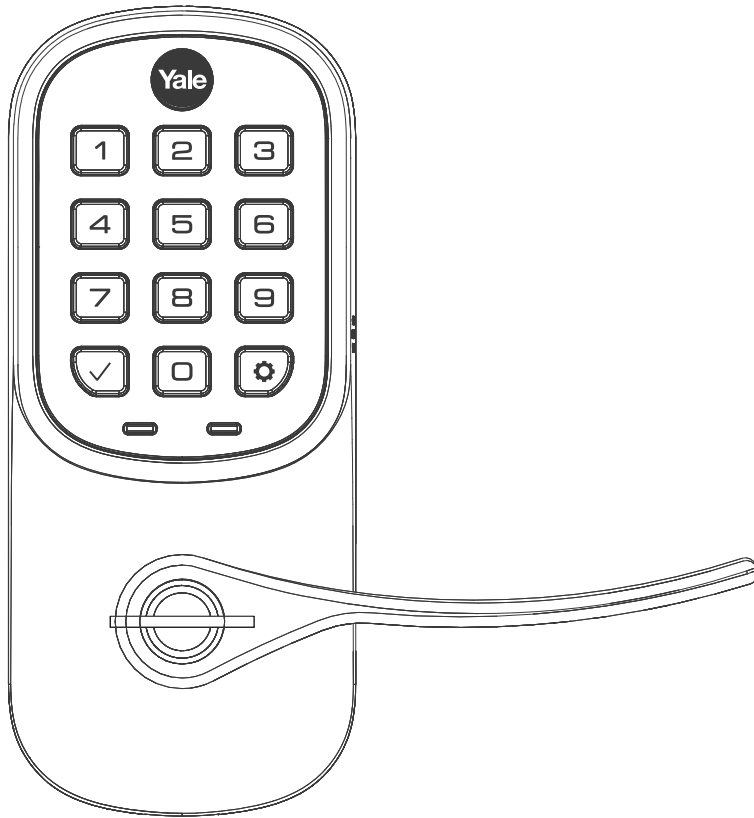




Yale *real* Living

Yale® Assure Lock® Lever Push Button Installation and Programming Instructions (YRL216)



Before you begin >>>

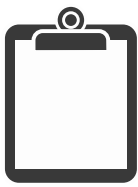
DOWNLOAD THE BILT APP

for step-by-step installation instructions & to register your product

BILT.

Download on the App Store | GET IT ON Google Play

FAILURE TO FOLLOW THESE INSTRUCTIONS COULD RESULT IN DAMAGE TO THE PRODUCT AND VOID THE FACTORY WARRANTY



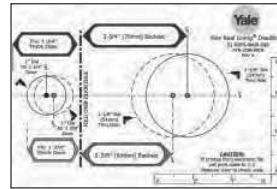
Preparing to Install

Tools Needed



Standard
Phillips Head
Screwdriver

Tools necessary only for new doors or adjusting existing prep.



Template



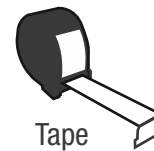
Drill



Pencil



Wood Mortise
Chisel



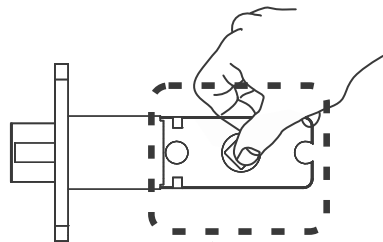
Tape
Measure



Utility Knife

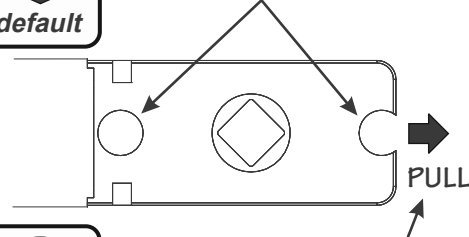


Level



default

2-3/8" through bolt posts

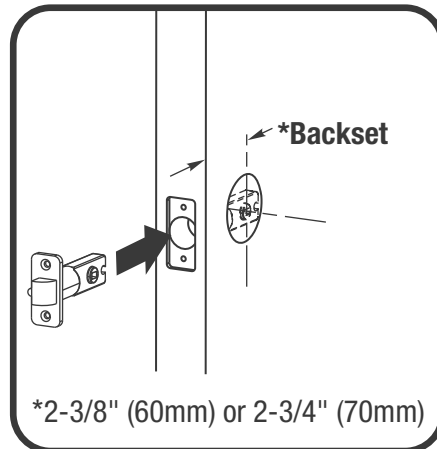


PULL



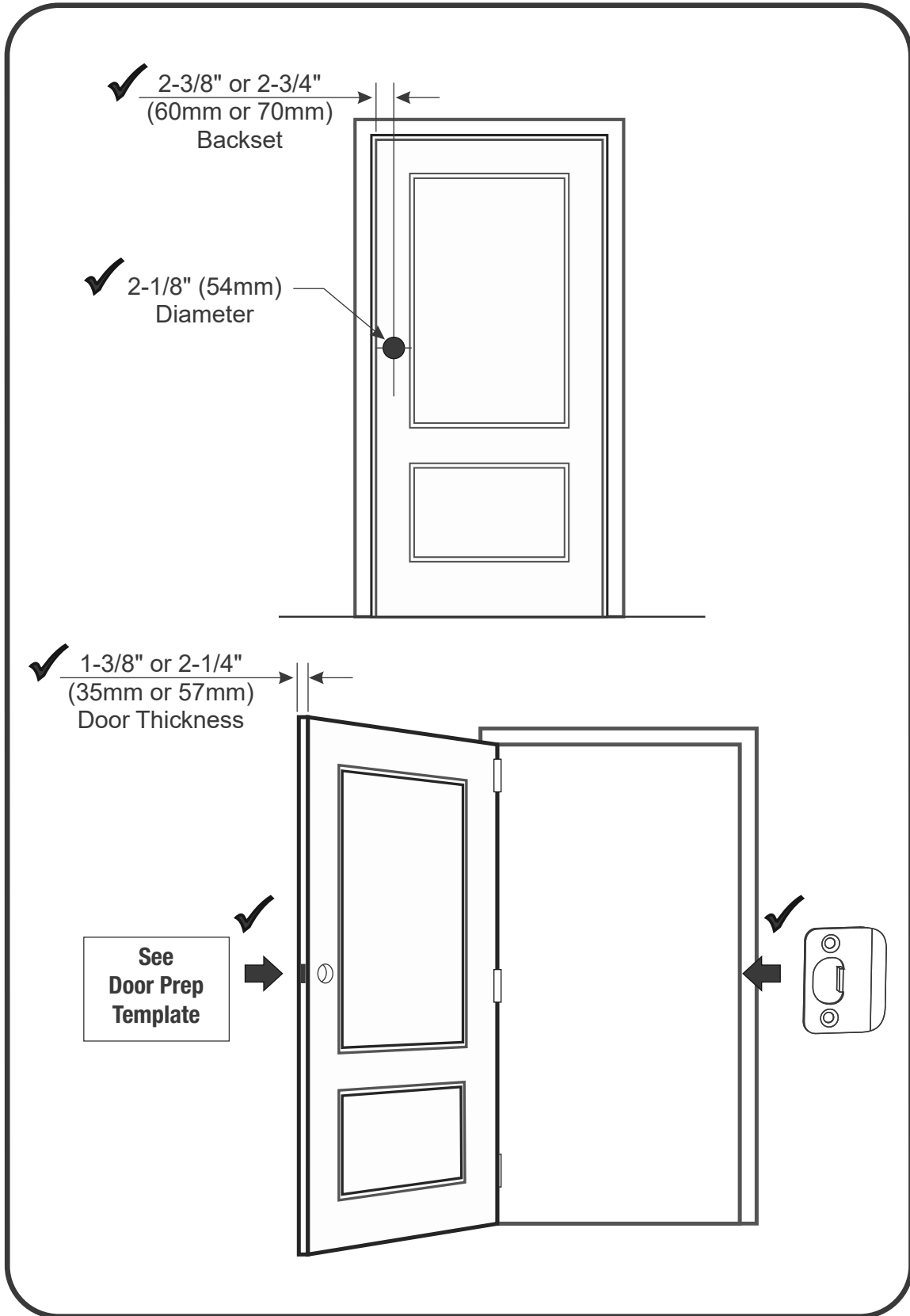
optional

2-3/4" through bolt posts
Note: Adjustment based on
backset



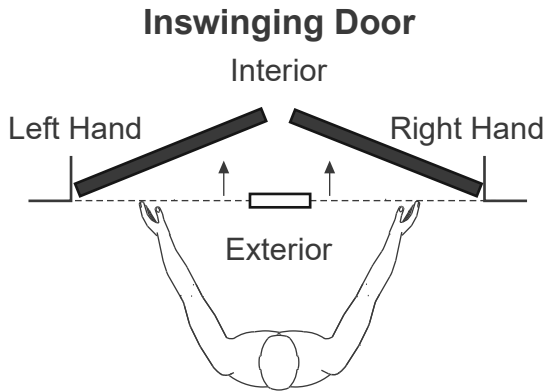


Checking Measurements

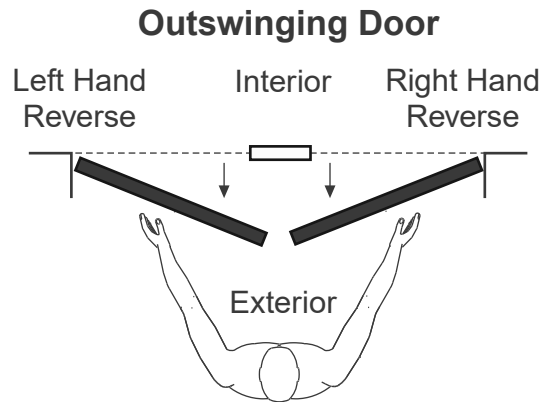




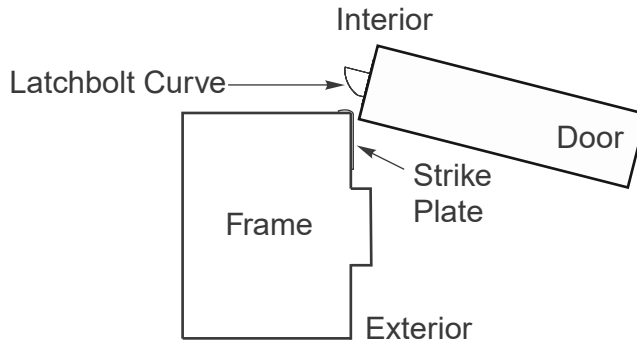
Determining Door Handing



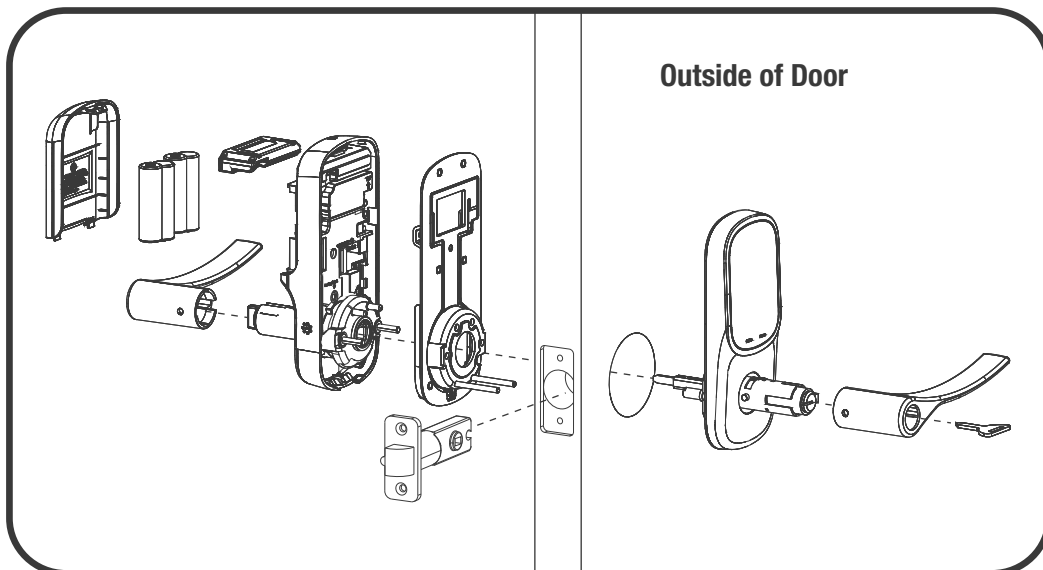
Face a door swinging open away from you.
If it swings open to the right, it is a right hand door. If it swings open to the left, it is a left hand door.

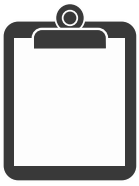


Face a door swinging open toward you.
If it swings open to the right, it is a right hand reverse door. If it swings open to the left, it is a left hand reverse door.



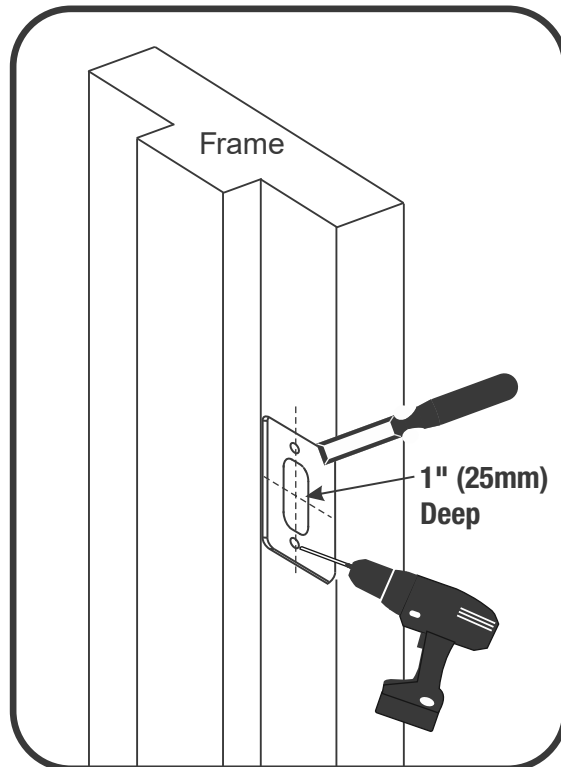
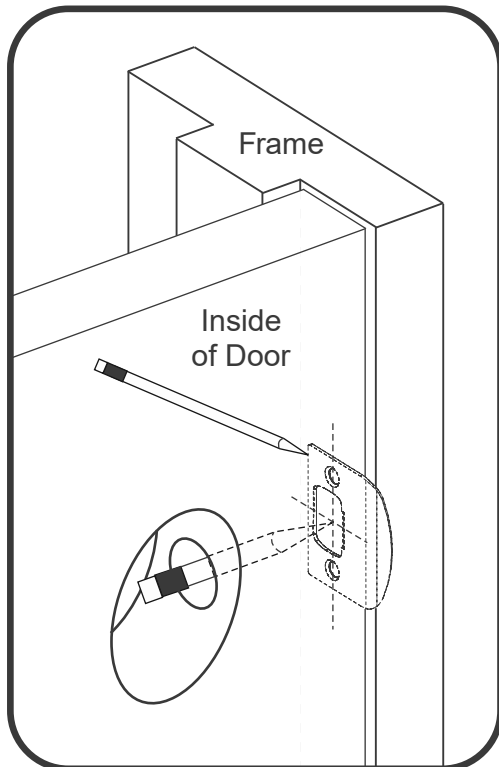
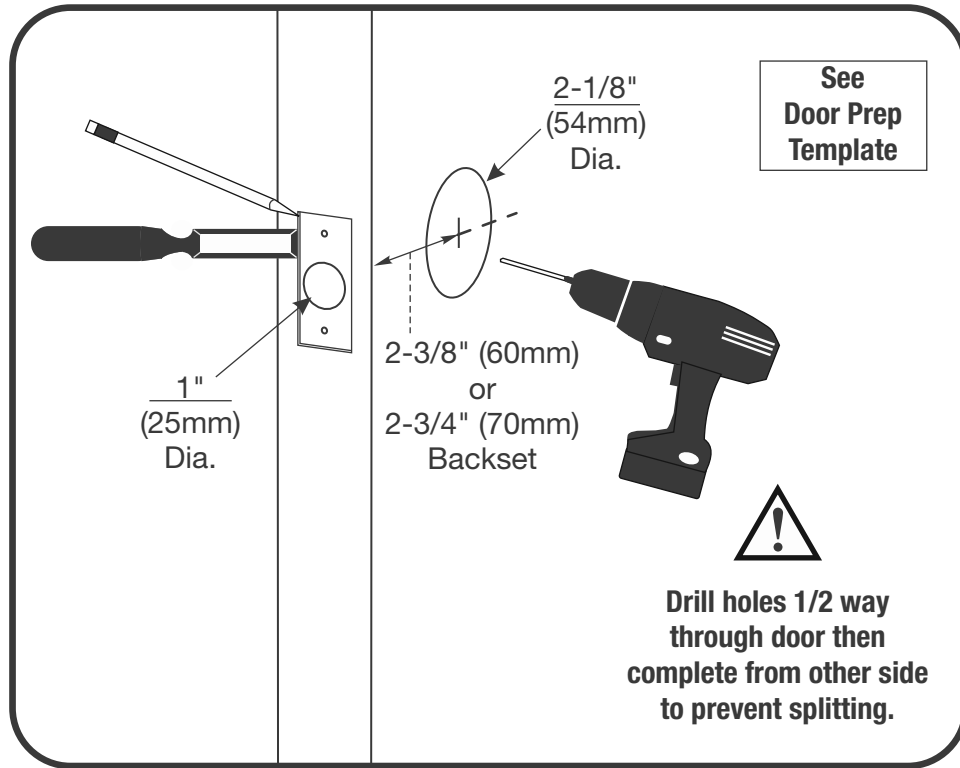
Curve of latchbolt must contact strike plate first.





Preparing Door & Frame

Necessary for new doors or adjusting existing prep.

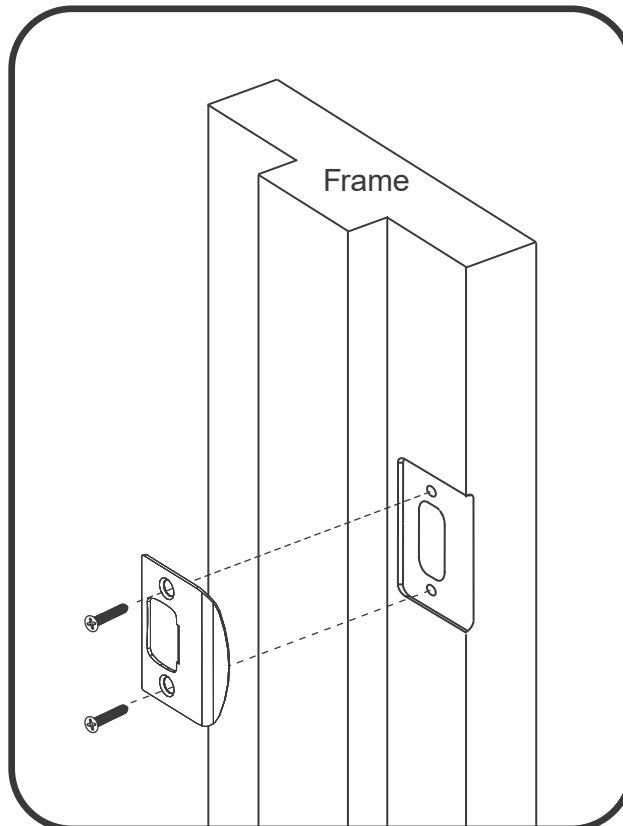
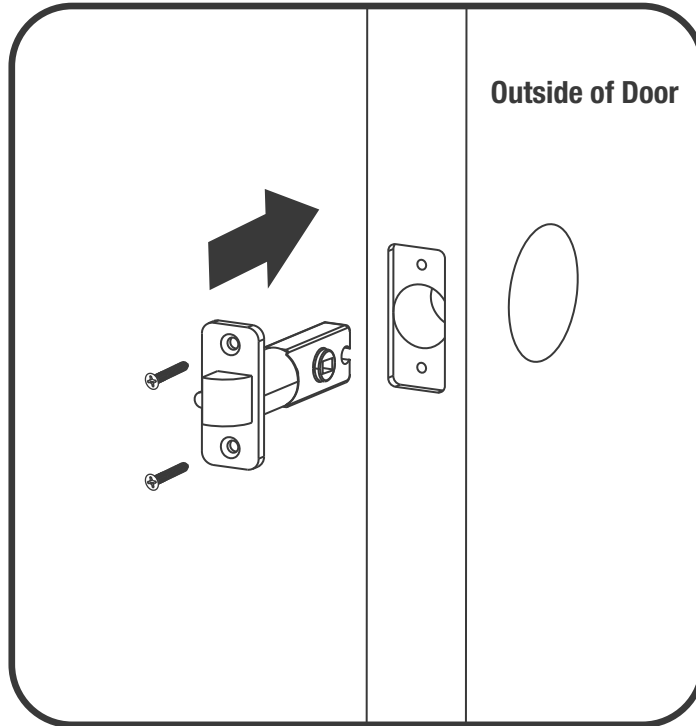


1

Installing Latch & Strike Plate Right Hand Installation Shown

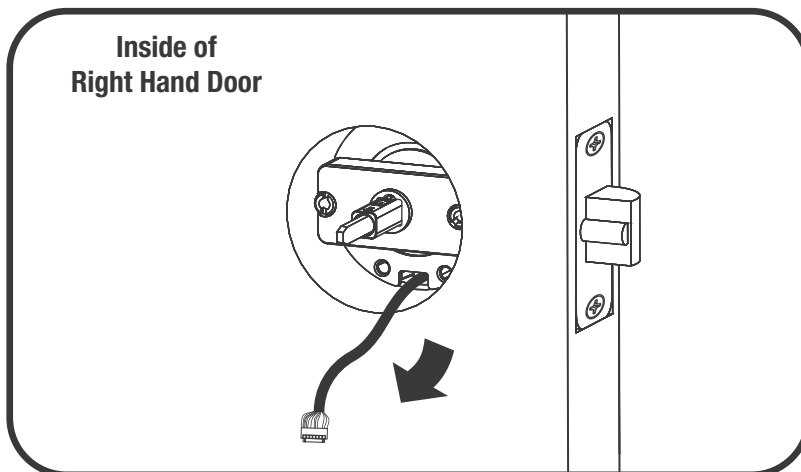
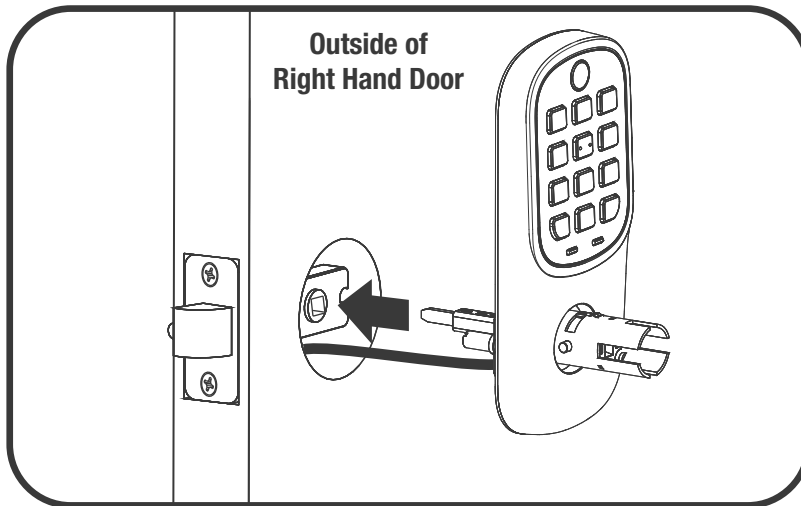
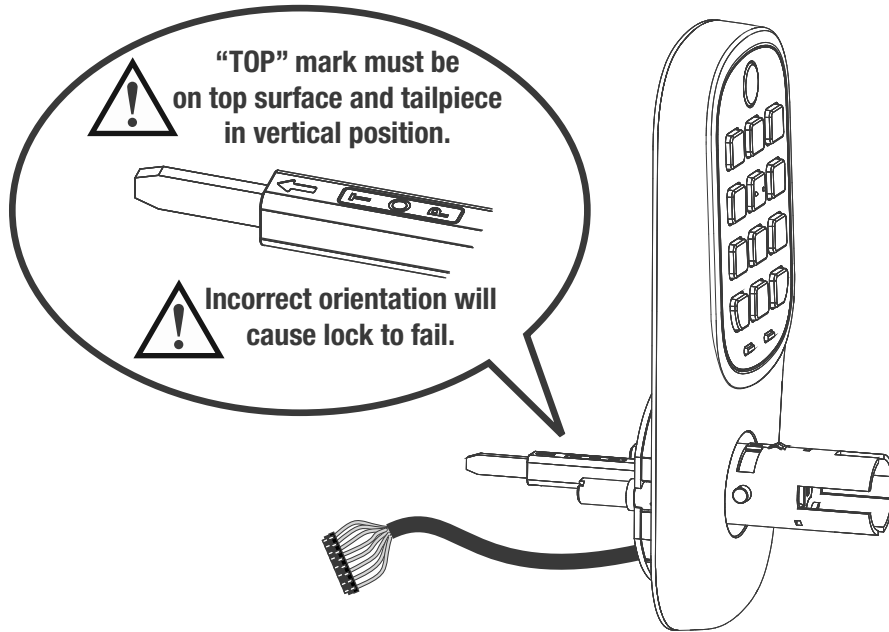


x4



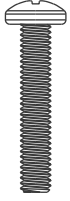
2

Installing Push Button Right Hand Installation Shown

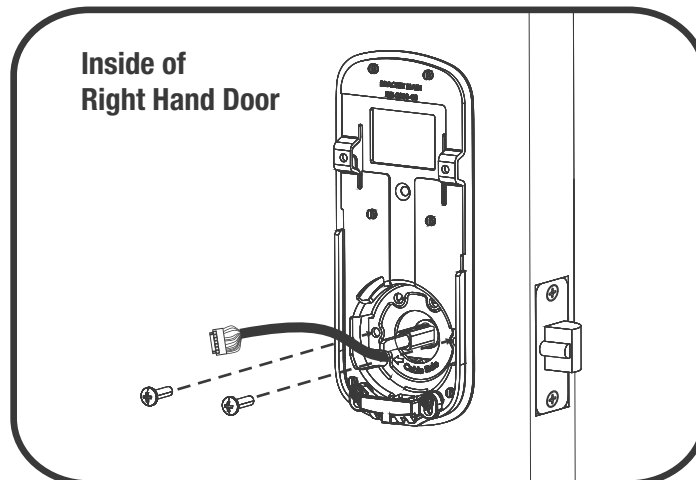
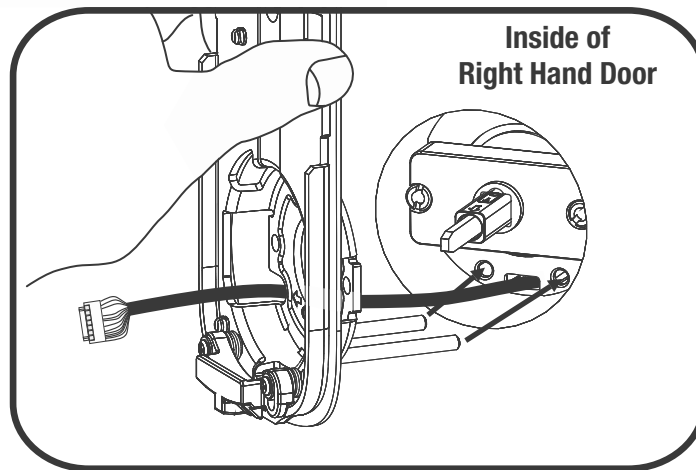
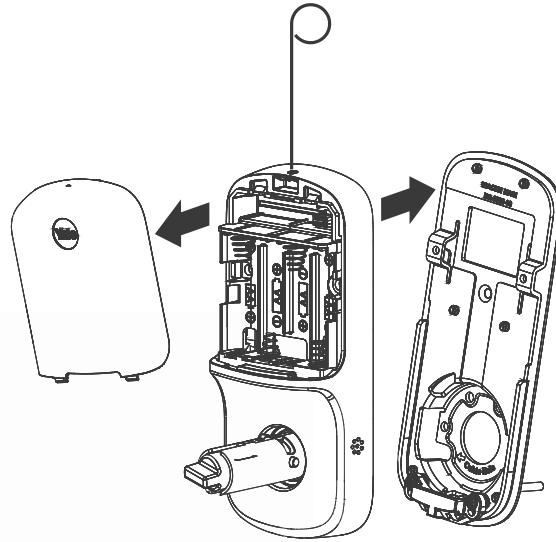


3

Installing Interior Mounting Plate Right Hand Installation Shown

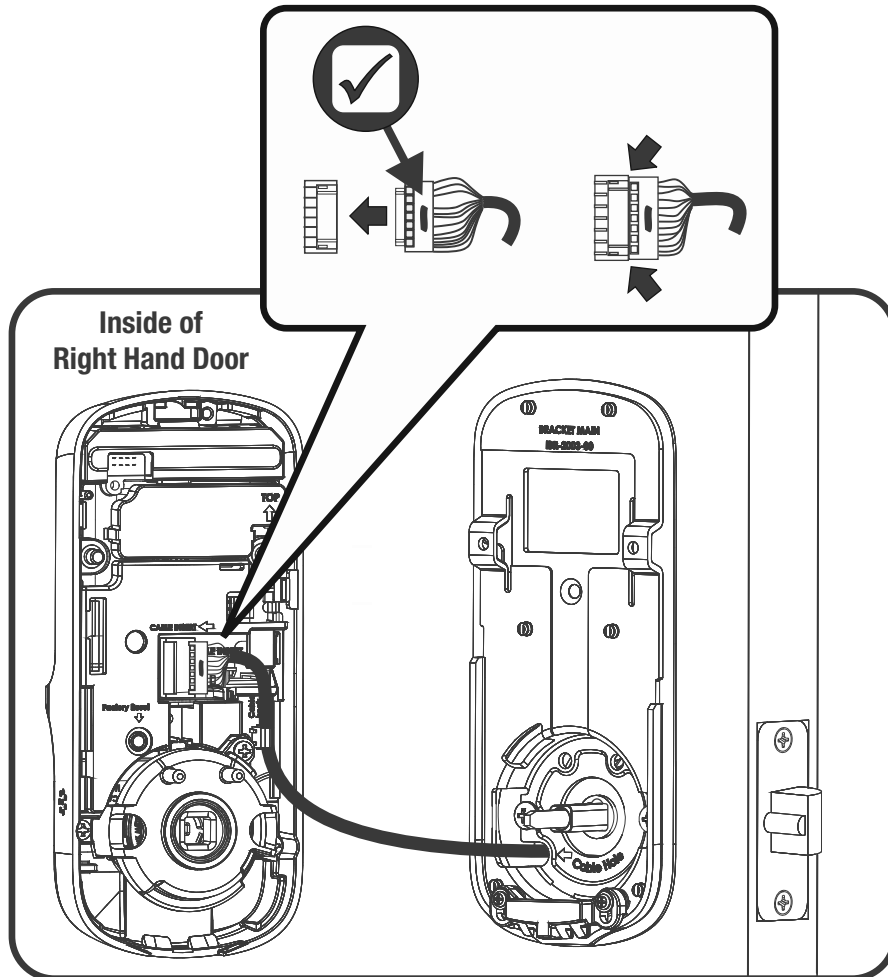
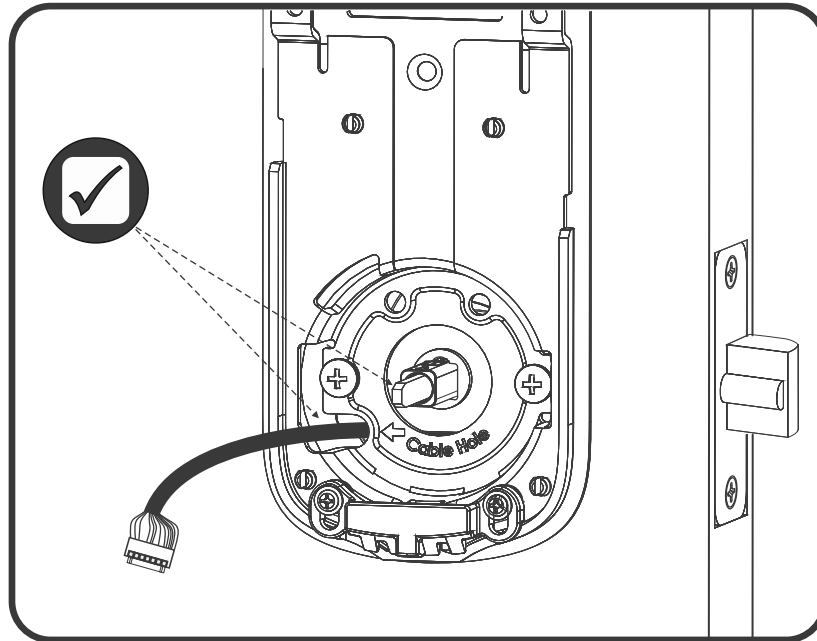


x2



4

Attaching the Cable Assembly Right Hand Installation Shown

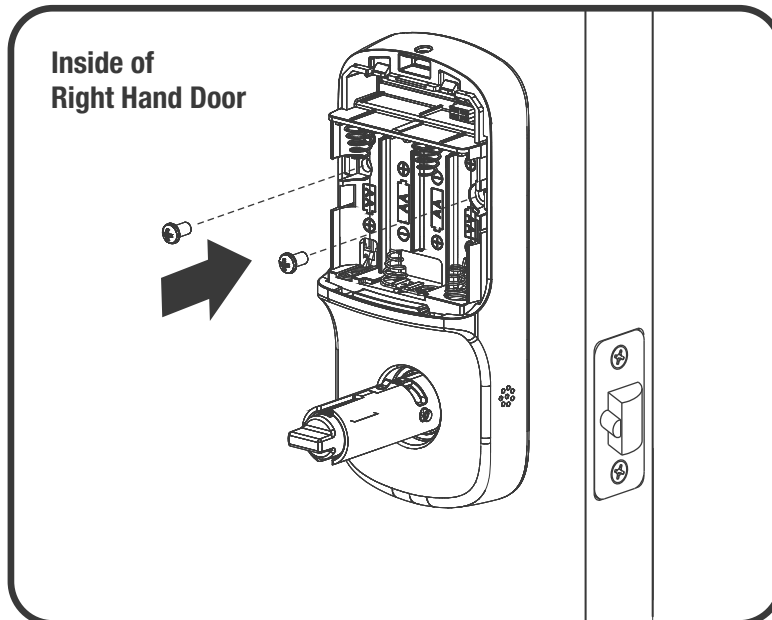
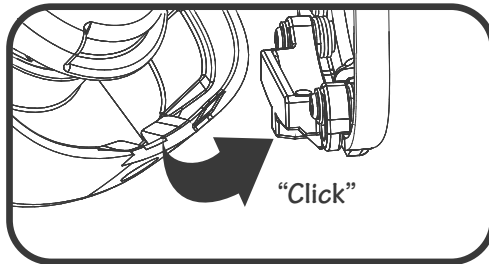
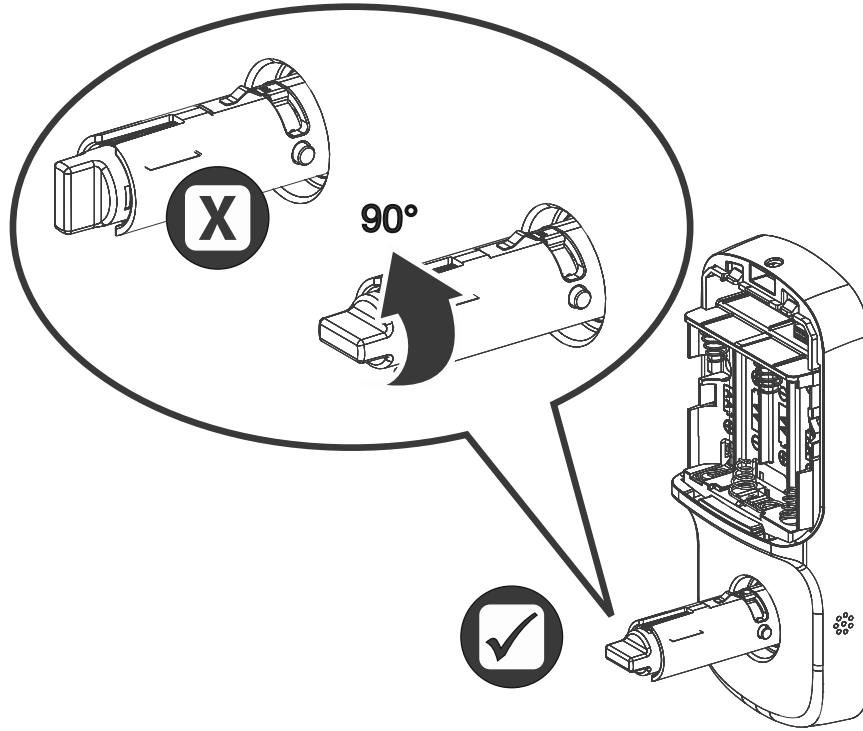


5

Installing Interior Lock Right Hand Installation Shown

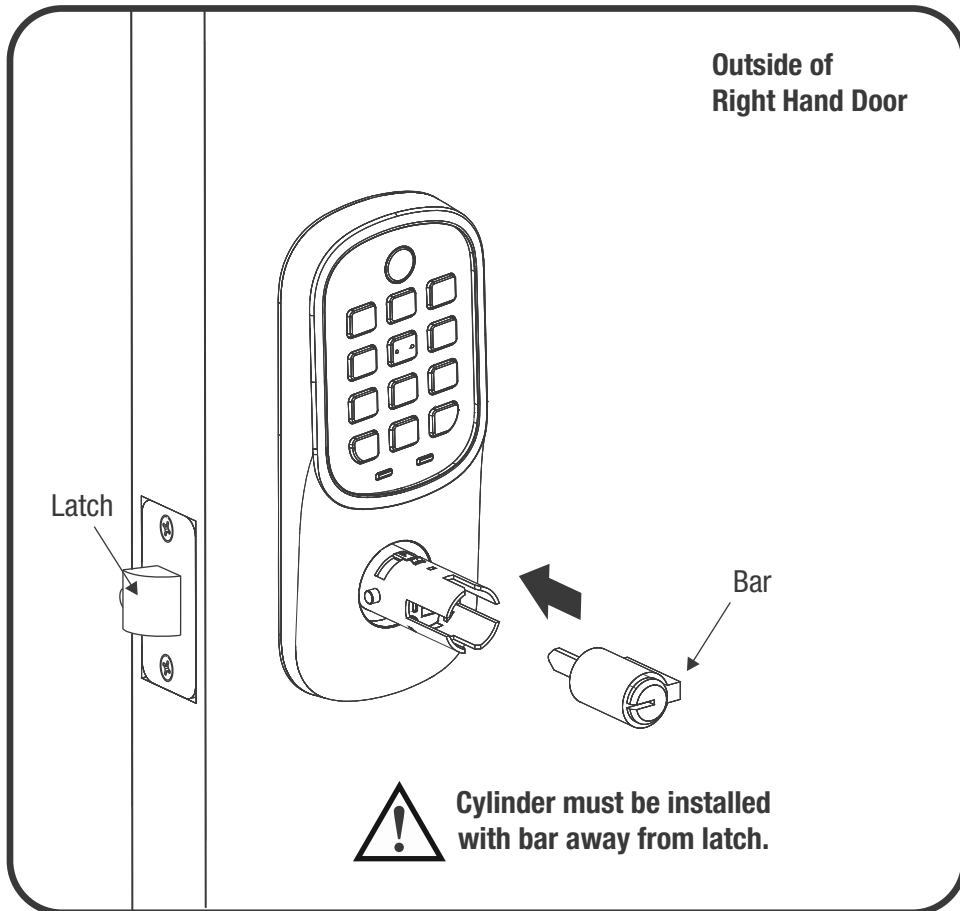
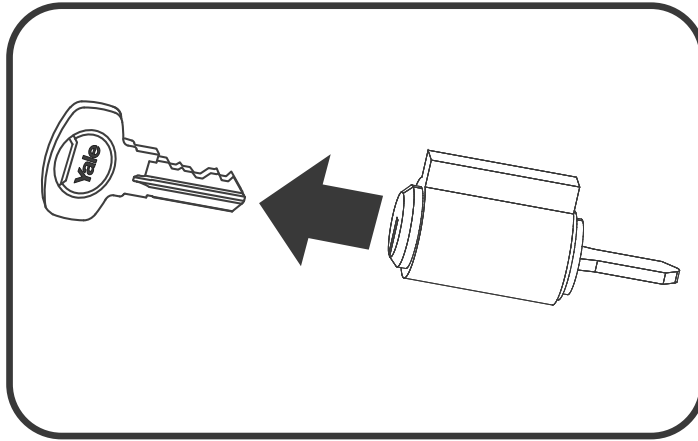


X2



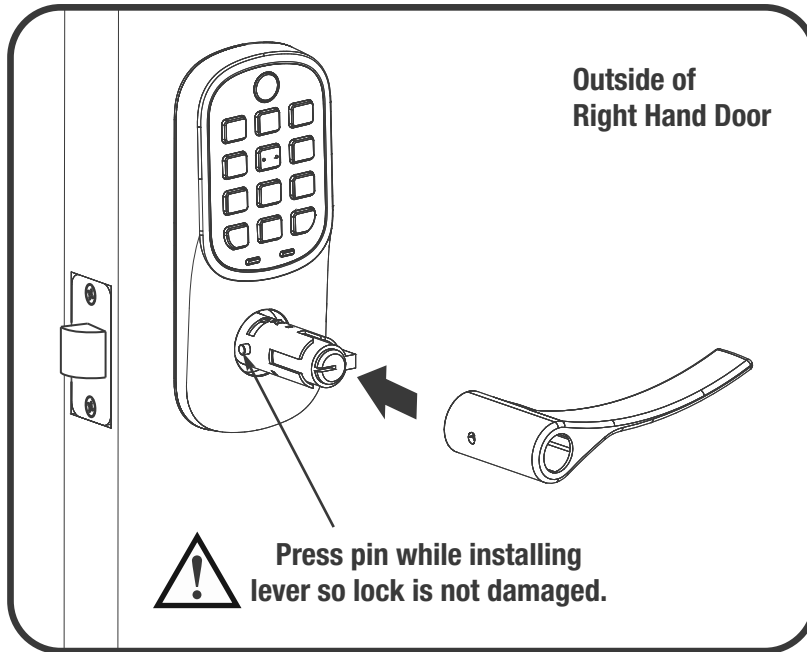
6

Installing Exterior Cylinder



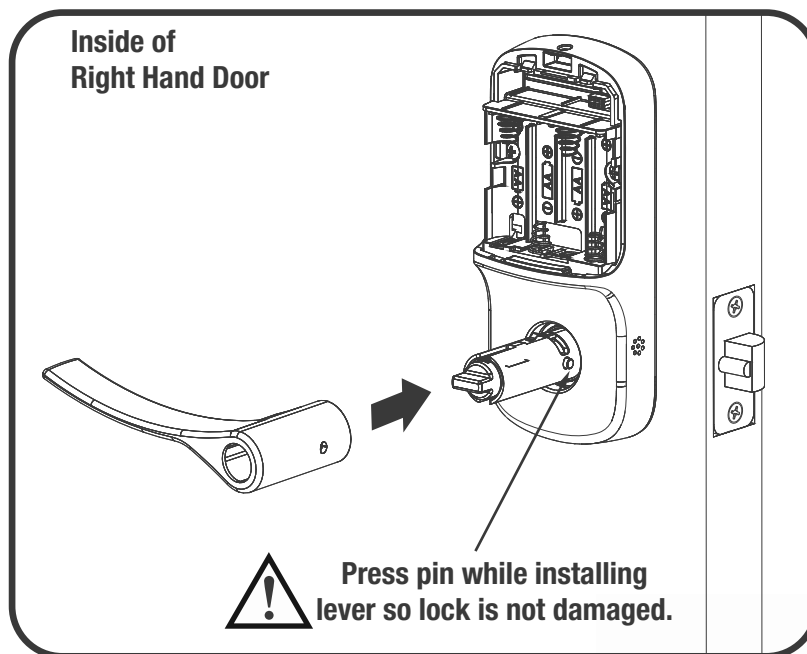
7

Installing Exterior Lever



8

Installing Interior Lever

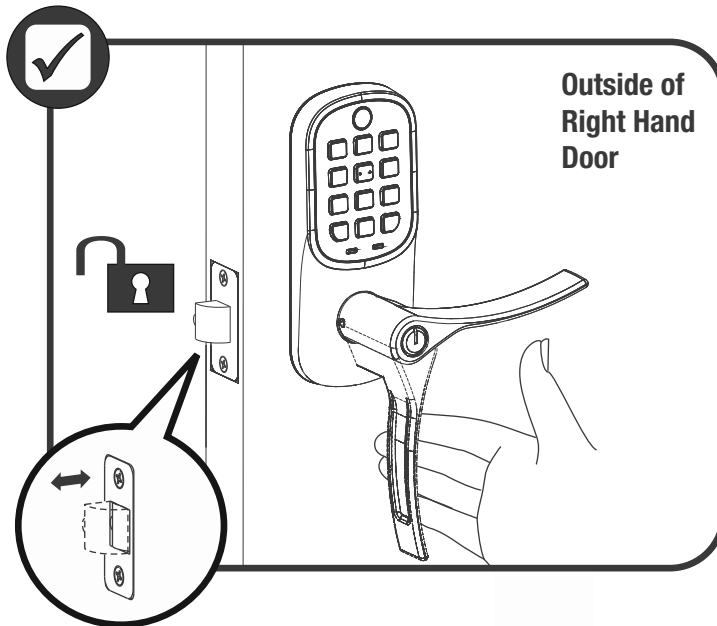
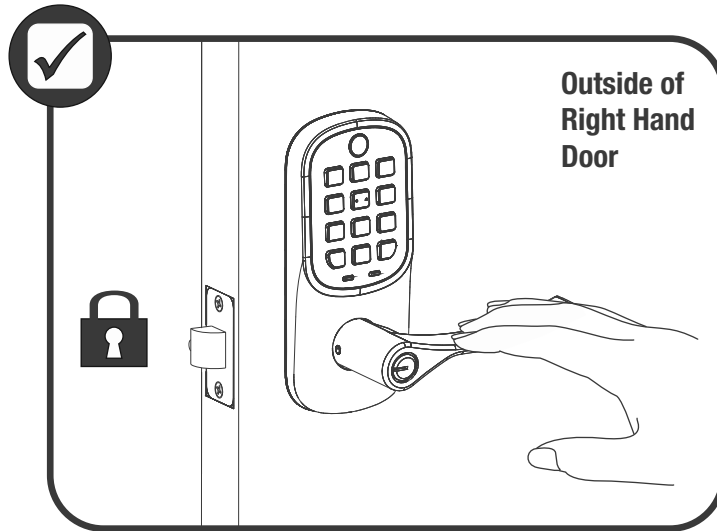
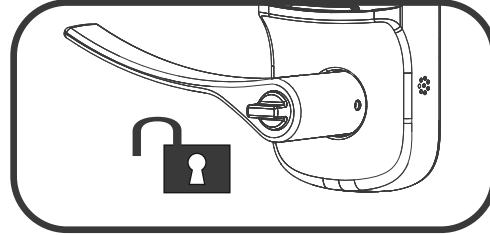
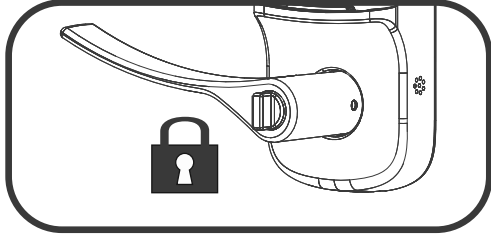




Testing Thumbturn Operation



Test with door open.



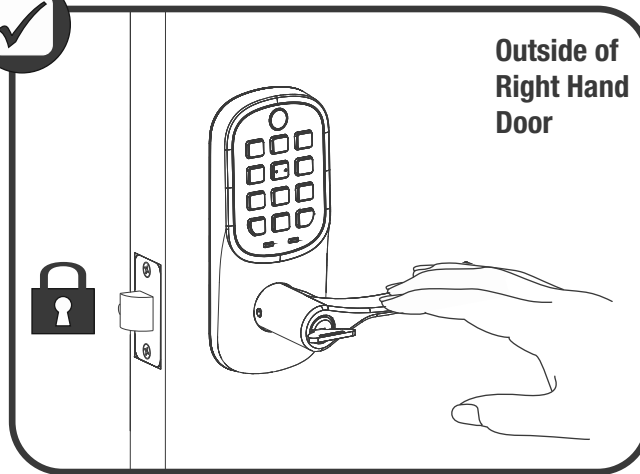
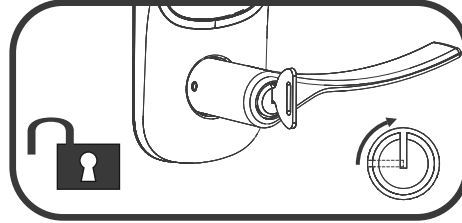
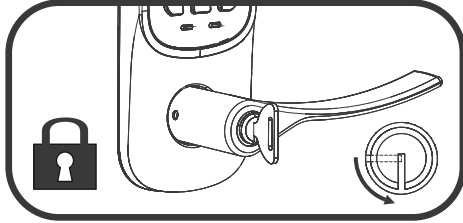
If thumbturn operation test fails, check installation beginning with Step 3.



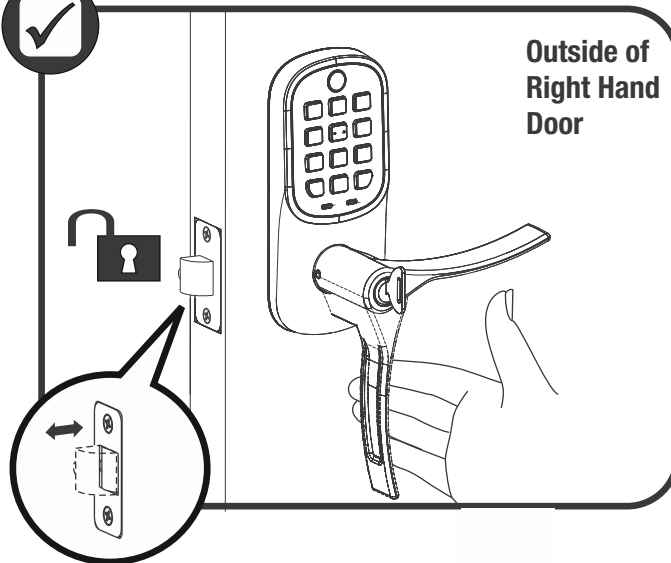
Testing Key Operation



Test with door open.



Outside of
Right Hand
Door



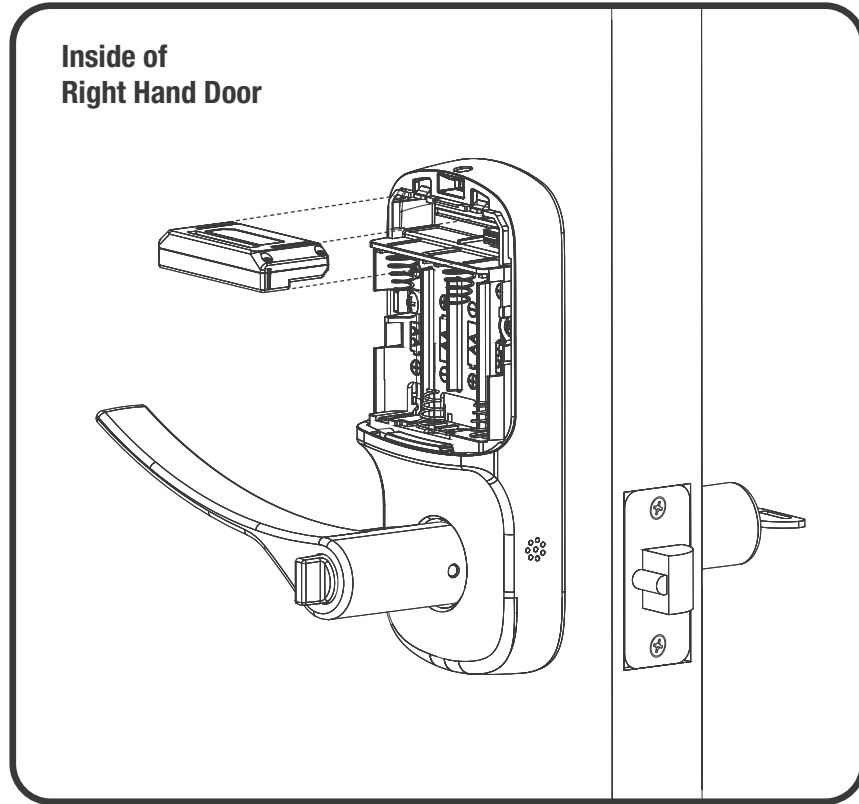
Outside of
Right Hand
Door



If key operation test fails, check installation beginning with Step 6.

9

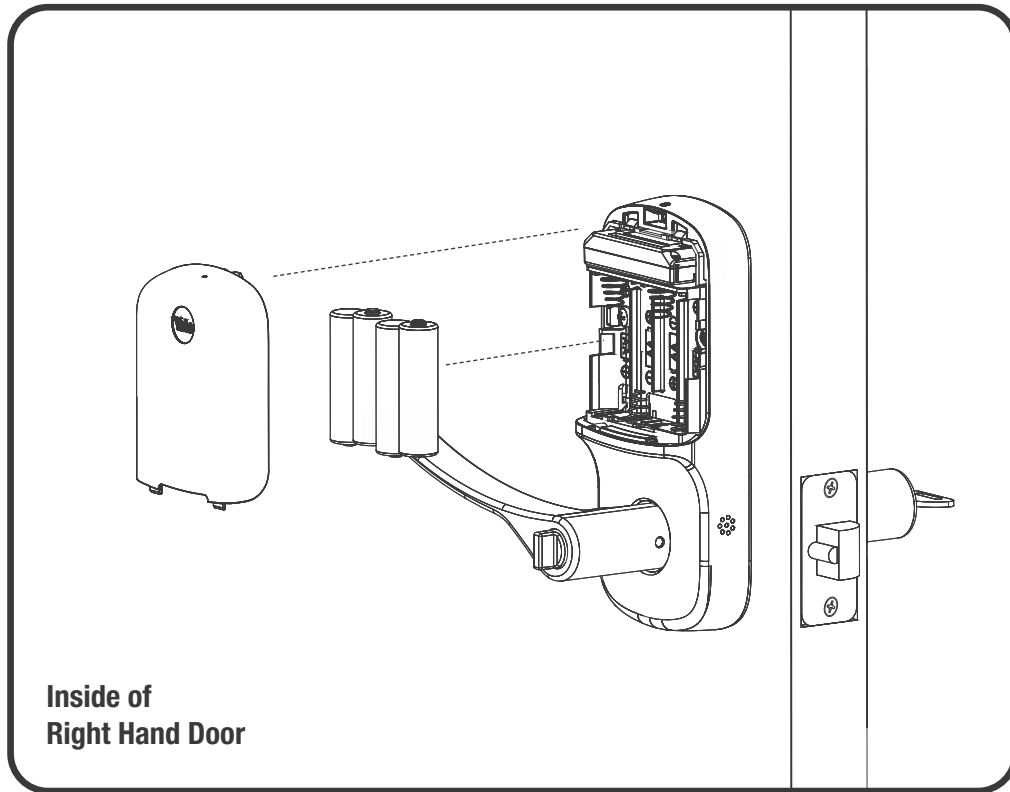
Installing Optional Network Module



NOTE: If a network module was included with your lock, it is in a separate box with additional module installation instructions.

10

Installing Batteries & Cover



Congratulations, you've installed the
Yale[®] Assure Lock[®] Lever Push Button (YRL216)!
Programming Instructions will help
you customize your product.

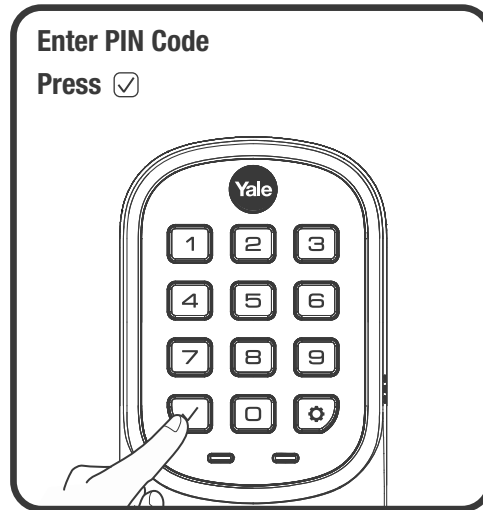


Testing Push Button Operation



Test with door open.

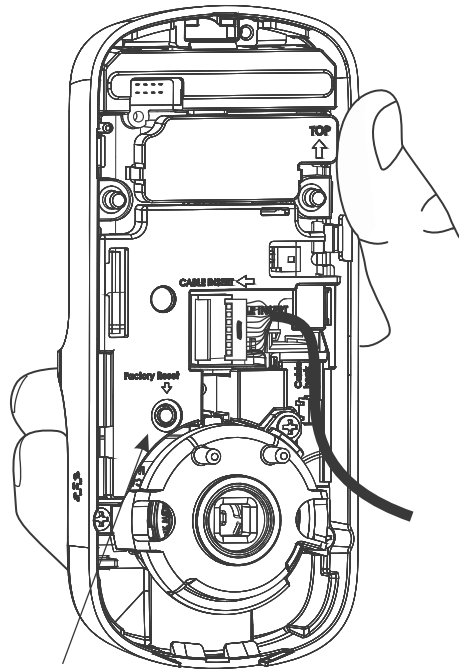
A Master PIN Code must be created upon installation or after resetting the lock to factory default. Programming and use of lock is not possible until this step has been successfully completed. See ① of Programming Instructions below.



If push button operation test fails, check installation beginning with Step 2.

Resetting Lock to Factory Default

Interior Lock



Reset Button

When resetting the lock, all user codes, including the Master PIN code*, are deleted. All programming features are reset to original default settings. See “Factory Settings”.

1. Remove the battery cover and batteries.
2. Remove the interior lock to access the reset button.
3. The reset button (see image above) is marked.
4. Re-insert 3 batteries and hold the reset button for 3 seconds.
5. While still holding the reset button, insert the 4th battery, and hold the reset button for an additional 3 seconds.
6. Release the reset button.
7. Re-install the interior lock onto the door.

*Upon reset, Master PIN Code creation is the only option available and must be performed prior to any other programming of the lock.

Changing Lock: Replacing Cylinder

1. To Remove cylinder:

See installation Step 6 "Installing Exterior Lever" and reverse appropriate actions to remove the exterior lever handle and cylinder.

2. To install new cylinder:

A. Follow appropriate actions of installation Step 6 "Installing Exterior Lever" to replace the cylinder and exterior lever handle.

B. Test operation of new cylinder and key by following "Testing Operation".

Factory Settings

Settings	Factory Setting
Master PIN Code	Registration <i>required*</i>
Audio Mode	Enabled
Automatic Re-lock	Disabled
Automatic Re-lock Time	30 Seconds
Inside Indicator Light	Disabled (Off)
Lockout Mode	Disabled
One Touch Locking	Enabled
Shutdown Time	60 Seconds
Wrong Code Entry Limit	5 Times

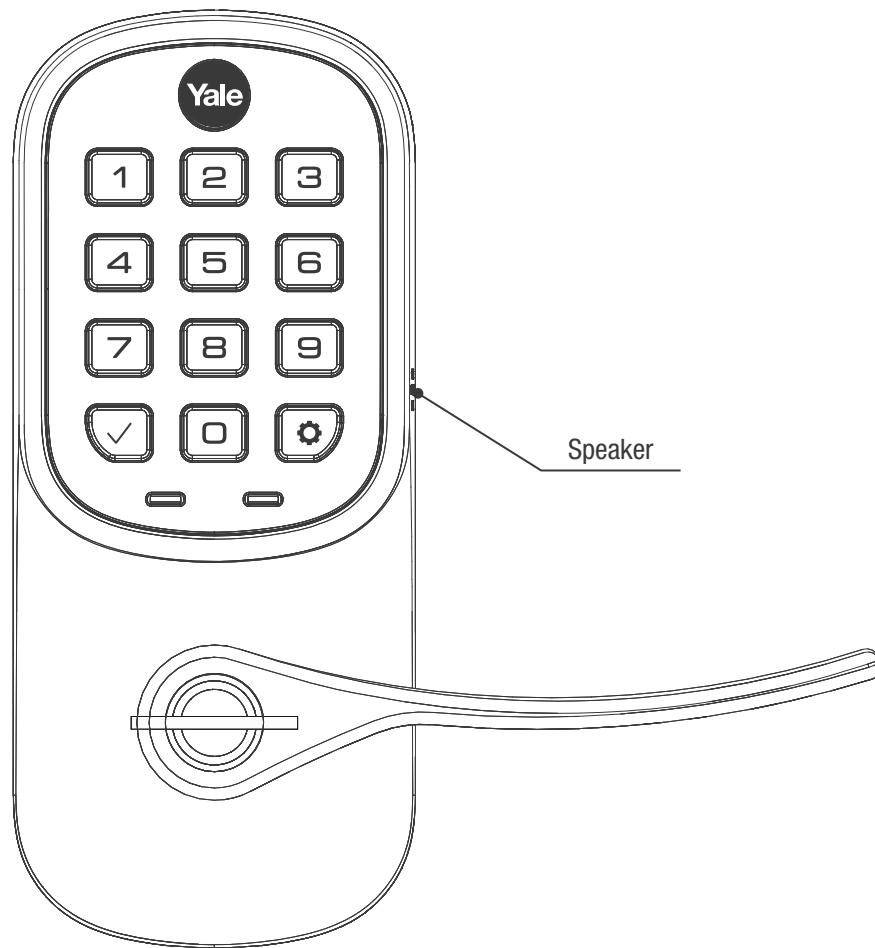
*The Master PIN code must be created prior to any other programming of the lock.

Hardware Troubleshooting

Cycle lock in both the locked and unlocked positions. If problems are found:

<p>Door is binding</p> <ol style="list-style-type: none">Check that door and frame are properly aligned and door is free swinging.Check hinges: They should not be loose or have excessive wear on knuckles.
<p>Bolt will not deadlock and/or lock signals failure via beeps</p> <ol style="list-style-type: none">Check for sufficient clearance of the bolt within the strike-side jamb. Correct this by increasing the depth of the pocket for the bolt.Check for misalignment of bolt and/or strike which may be preventing bolt from properly entering the strike. With the door open, extend and retract the bolt; if it is smooth, check the strike alignment.
<p>Bolt does not extend or retract smoothly and/or lock signals failure via beeps</p> <ol style="list-style-type: none">Bolt and strike are misaligned, see above.Check the backset of door relative to adjustments already made to bolt.Verify proper door preparation and re-bore holes that are too small or misaligned.Verify push button wire harness is routed properly (see Steps 2 - 4).
<p>Push button numerics are scrolling</p> <p>Remove interior lock and check to ensure that the wire harness is routed properly (see Steps 2 - 4).</p>
<p>Thumbturn will not turn</p> <ol style="list-style-type: none">Remove interior lock and ensure that thumbturn moves freely.Ensure that spindle is in proper position(Step 2).
<p>Key will not turn</p> <ol style="list-style-type: none">Remove interior lock and ensure that key rotates freely.Ensure that key cylinder is properly installed in lock (Step 6).

Programming Instructions

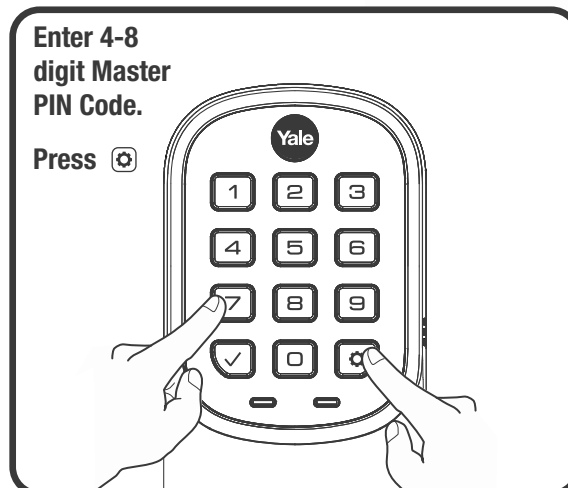
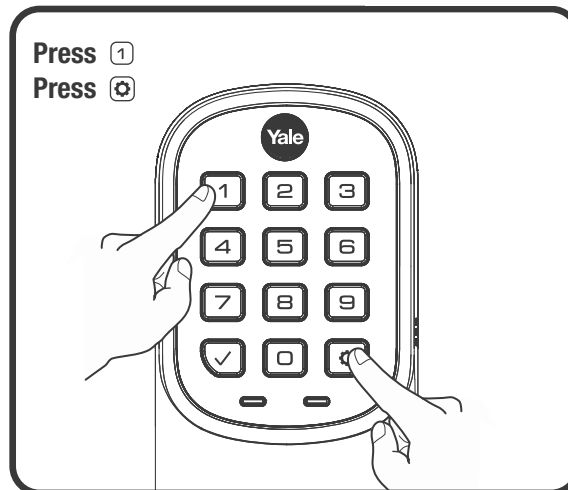
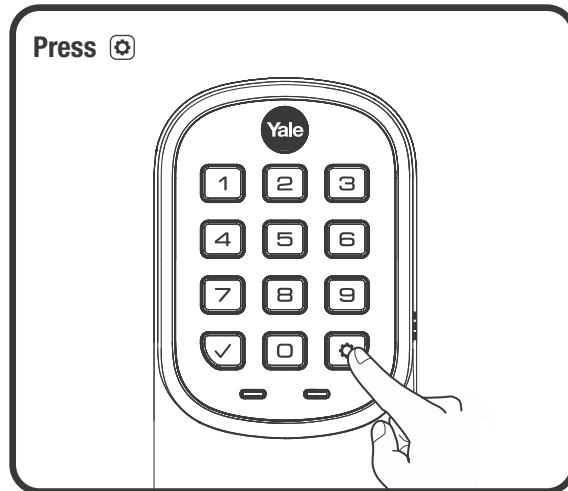


Master PIN Code must be created before any further programming.
Max User Codes = 250 with Network Module. Max User Codes = 25 without.

1

Creating Master PIN Code

Creating a Master PIN Code must be performed upon installation or after resetting the lock to factory default. Programming and use of lock is not possible until this step has been successfully completed.

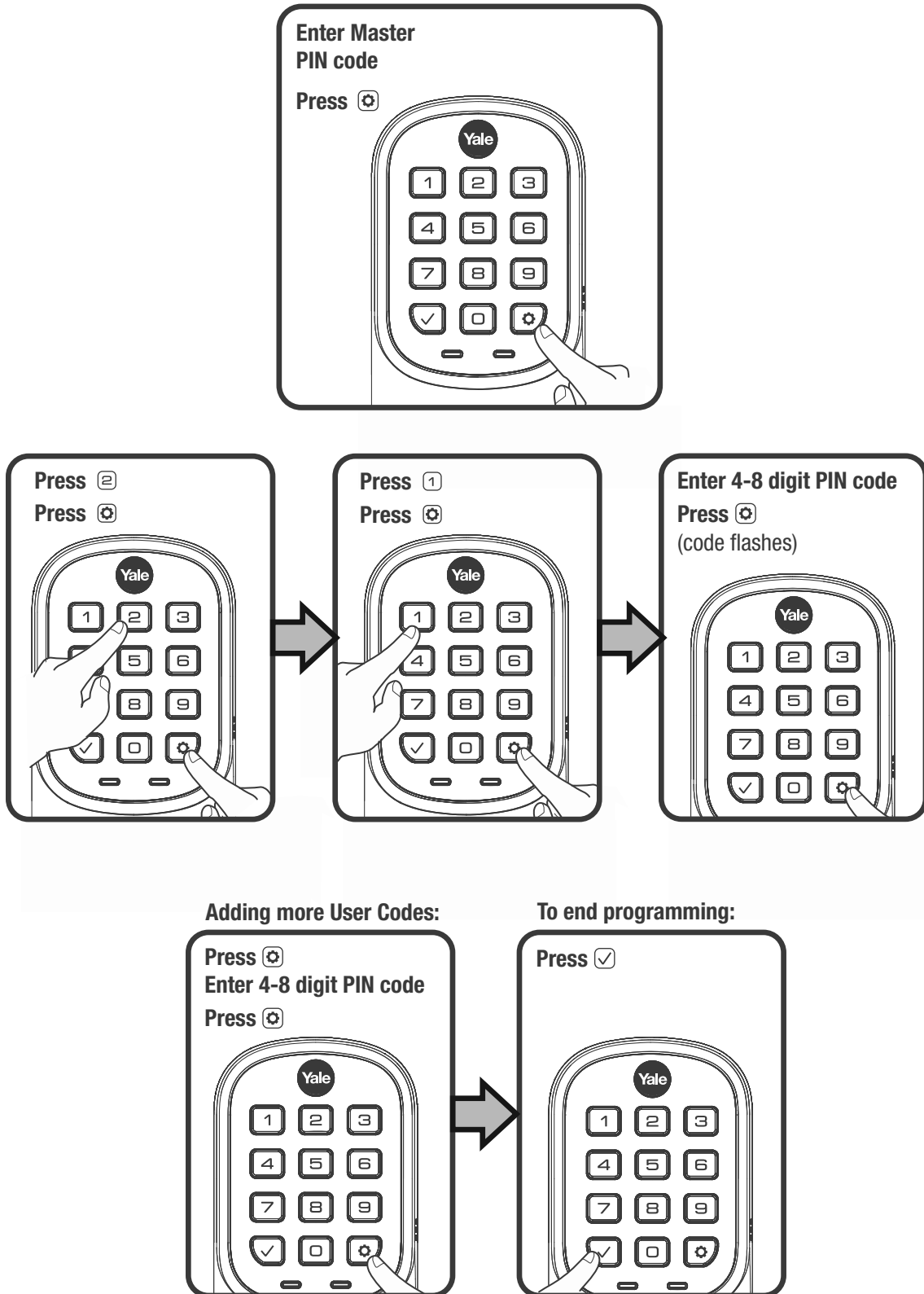


2

Creating User PIN Codes

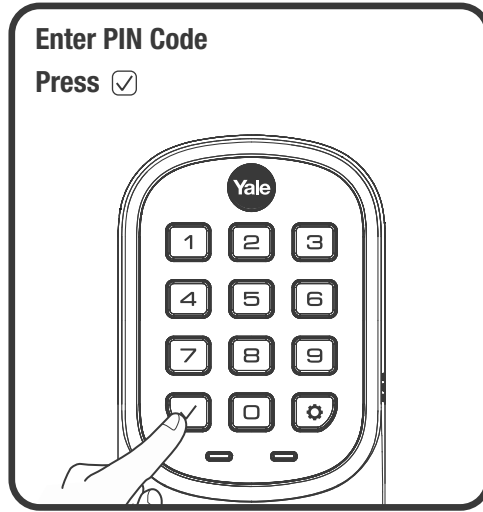
Master PIN code must be created first.

*Max user codes = 250 with Network Module. Max user codes = 25 without.



3

Unlocking Door with PIN Code



Code Chart Duplicate if necessary

PIN Code Management (With Network Module Up to 250 Users)	PIN Code
Master:	
User Name:	

Definitions

All Code Lockout Mode: This feature is enabled by the Master code. When enabled, it restricts all user (except Master) PIN code access. When attempting to enter a code while the unit is in Lockout, the RED locked padlock will appear on the screen.

Audio Mode: The audio setting for PIN code verification is set to **Enable (1)** by default; otherwise it can be set to **Disable (3)** for quiet areas.

Automatic Re-lock Time: After a successful code entry and the unit unlocks, it will automatically re-lock after thirty (30) seconds.

Inside Indicator Light: Located on the interior escutcheon. Shows active status (Locked) of lock and can be enabled or disabled in the **Advanced Lock Settings** (Main Menu selection #3).

Low Battery: When battery power is low, the Low Battery Warning indicator flashes RED. If battery power is completely lost, use the cylinder key override.

Master PIN Code: The Master PIN code is used for programming and for feature settings. **It must be created prior to programming the lock.** The Master code will also operate (unlock/lock) the lock.

Network Module Setting: With the optional Network Module installed, this setting becomes available thru the Main Menu (7) and allows the lock to connect with a network controller.

One Touch Locking: When the latch is retracted, activating the keypad will extend the latch (during Automatic Re-lock duration or when Automatic Re-lock is disabled). When One-Touch Re-lock is **not** in use (**disabled**), any valid PIN code will re-lock the lock.



Shutdown Time: The unit will shutdown (flashing RED) for sixty (60) seconds and not allow operation after the wrong code entry limit (5 attempts) has been met.

Tamper Alert: Audible alarm sounds if attempting to forcibly remove outside lock from door.

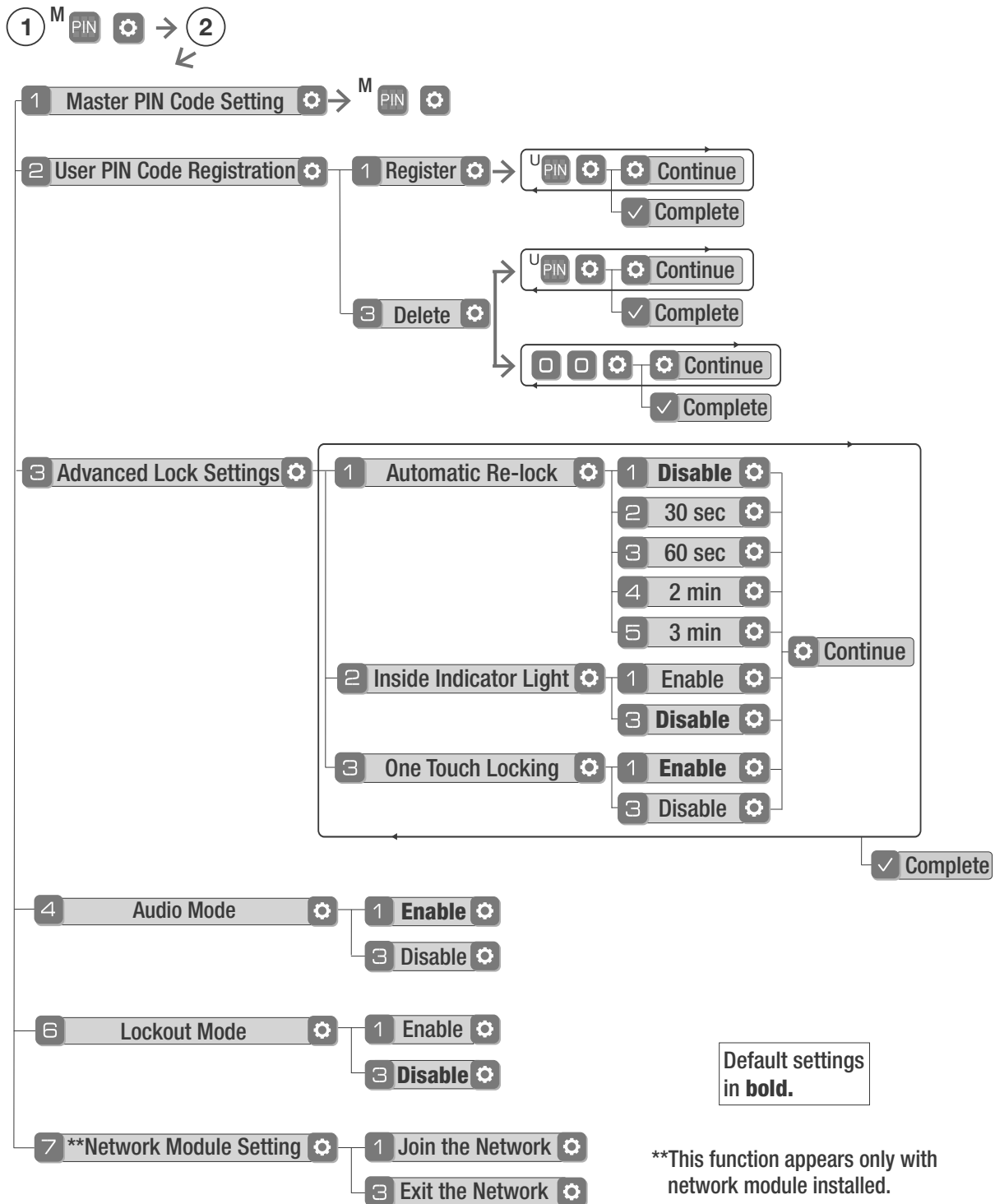
User PIN Code: The User code operates the lock. Maximum number of user codes is 250 with Network Module; without Network Module, maximum is 25 user codes. Note: When deleting User PIN code(s), screen will display User Number (not PIN code) being deleted.

Wrong Code Entry Limit: After five (5) unsuccessful attempts at entering a valid PIN code, the unit will shut down and not allow operation for sixty (60) seconds.






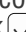
Feature Programming Through Menu Mode Using Master PIN code*

1. Enter 4-8 digit master PIN code* followed by  key.
2. Enter digit corresponding to the function to be performed followed by the  key.

*The Master PIN code must be created prior to any other programming of the lock.



Programming Troubleshooting

Symptom	Suggested Action
Lock does not respond – door is open and accessible.	<ul style="list-style-type: none"> • Press each keypad button for response when pressed. • Check batteries are installed and oriented correctly (polarity) in the battery case. • Check batteries are in good condition; replace batteries* if discharged. • Check to see if touchscreen harness is fully connected and not pinched.
Lock does not respond – door is locked and inaccessible.	<ul style="list-style-type: none"> • Batteries may be completely discharged. • Use mechanical key to gain entry and replace batteries*.
Unit is on for a while then shows no reaction. Lights dim.	<ul style="list-style-type: none"> • Batteries do not have enough power. Replace batteries*.
Unit chimes to indicate code acceptance, but the door will not open.	<ul style="list-style-type: none"> • Check the door gaps for any foreign objects between door and frame. • Check that the wire cable is firmly connected to the PCB.
Unit operates to allow access, but will not automatically re-lock.	<ul style="list-style-type: none"> • Check to see if Auto Re-lock Mode is enabled. • Disable Auto Re-lock Mode to lock the door (automatically). • If low battery indicator is lit (see below), change batteries*.
PIN codes will not register.	<ul style="list-style-type: none"> • PIN codes must consist of 4 to 8 digits to register. • The same PIN code cannot be used for multiple users. • Registration/management of PIN codes is set by the authority of the Master Code, which is set first. • Contact the Master user. • User codes must be entered within 5 seconds or process will have to be restarted. • Check  or gear  cannot be used as part of the PIN code.
Upon entering a PIN code and pressing  key, the lock gives a series of beeps, flashes red 7 times, and does not unlock.	<ul style="list-style-type: none"> • Lockout Mode is enabled. • Only the Master can enable/disable Lockout Mode. • Contact the Master user.
Upon entering a PIN code and pressing the  key, the lock gives a series of beeps.	<ul style="list-style-type: none"> • Check to see if the lock is set to Lockout Mode. • Setting/managing Lockout Mode is done through Master Code only. Contact the Master user.
The unit operates, but it makes no sound.	<ul style="list-style-type: none"> • Enable Audio Mode
The unit displays intermittent RED flashes.	<ul style="list-style-type: none"> • This is the alert to replace the batteries. Replace all four (4) batteries* with new AA Alkaline batteries.
Upon entering a PIN code and pressing the  key, the unit responds with a series of beeps and the keypad flashes three times.	<ul style="list-style-type: none"> • The digits entered were incorrect or incomplete. Re-enter the correct code followed by the check  key.

* When batteries are replaced, Network Module locks have a real time clock that will be set through the User Interface (UI); it is recommended to verify correct date and time particularly those locks operating under Daylight Saving Time (DST).

FCC:*Class B Equipment*

This equipment has been tested and found to comply with the limits for a Class B digital device, pursuant to Part 15 of the FCC Rules. These limits are designed to provide reasonable protection against harmful interference in a residential installation. This equipment generates, uses, and can radiate radio frequency energy and, if not installed and used in accordance with the instructions, may cause harmful interference to radio communications. However, there is no guarantee that interference will not occur in a particular installation. If this equipment does cause harmful interference to radio or television reception, which can be determined by turning the equipment off and on, the user is encouraged to try to correct the interference by one or more of the following measures:

- Reorient or relocate the receiving antenna.
- Increase the separation between the equipment and receiver.
- Connect the equipment into an outlet on a circuit different from that to which the receiver is connected.
- Consult the dealer or an experienced radio/TV technician for help.

Warning: Changes or modifications to this device, not expressly approved by **Yale Security Inc.** could void the user's authority to operate the equipment.

Industry Canada:

This Class A digital apparatus meets all requirements of the Canadian Interference Causing Equipment Regulations.

Cet appareillage numérique de la classe A répond à toutes les exigences de l'interférence canadienne causant des règlements d'équipement.

Yale Locks & Hardware

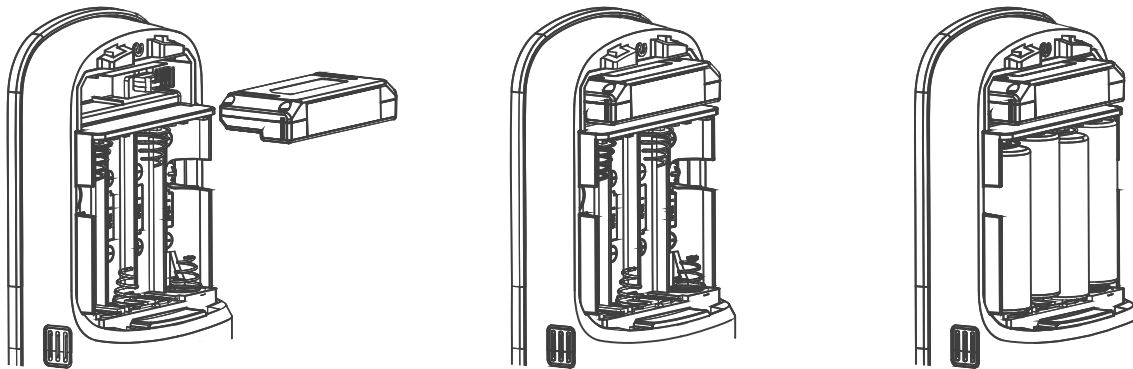
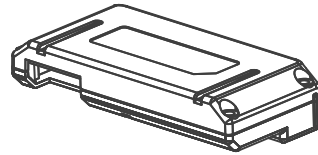
Product Support Tel 1-855-213-5841 • www.yalehome.com

Yale®, Yale Real Living® and Assure Lock® are registered trademarks of Assa Abloy Residential Group. Other products' brand names may be trademarks or registered trademarks of their respective owners and are mentioned for reference purposes only.
© Copyright 2018 All rights reserved. Reproduction in whole or in part without the express written permission of Assa Abloy Residential Group is prohibited.

Installing the Z-Wave® Plus Module

IMPORTANT: the batteries must be removed prior to removing and/or inserting the network module:






- Remove battery cover and batteries.
- Remove and/or insert Network Module.
- Reinstall batteries and battery cover.








Enrolling/Unenrolling the Network Module:

This device is a security enabled Z-Wave Plus product that is able to use encrypted Z-Wave Plus messages to communicate to other security enabled Z-Wave Plus products. This device must be used in conjunction with a Security Enabled Z-Wave Controller in order to fully utilize all implemented functions. This product can be operated in any Z-Wave network with other Z-Wave certified devices from other manufacturers. All non-battery operated nodes within the network will act as repeaters regardless of vendor to increase reliability of the network.

To Enroll/Add the Module (Inclusion Mode):

- Enter the 4-8 digit Master PIN code followed by the  key.
- Press the  key followed by the  key.
- Press the  key followed by the  key.

To Unenroll/Remove the Module (Exclusion Mode):

- Enter the 4-8 digit Master PIN code followed by the  key.
- Press the  key followed by the  key.
- Press the  key followed by the  key.

Factory Reset - If No Controller:

- See the Lock Installation Manual
- Please use this procedure only when the network primary controller is missing or otherwise inoperable.

For System Integrators: Specific Z-Wave Plus association and parameter information for your lock is available at YaleHome.com/ZwavePlus.



Warning: Changes or modifications to this device, not expressly approved by Yale Security Inc. could void the user's authority to operate the equipment.

FCC:

Contain FCC ID: U4A-YRHCPZWOFM

Model: YRMZW2-US

This equipment has been tested and found to comply with the limits for a Class B digital device, pursuant to Part 15 of the FCC Rules. These limits are designed to provide reasonable protection against harmful interference in a residential installation. This equipment generates, uses, and can radiate radio frequency energy and, if not installed and used in accordance with the instructions, may cause harmful interference to radio communications. However, there is no guarantee that interference will not occur in a particular installation. If this equipment does cause harmful interference to radio or television reception, which can be determined by turning the equipment off and on, the user is encouraged to try to correct the interference by one or more of the following measures:

- Reorient or relocate the receiving antenna.
- Increase the separation between the equipment and receiver.
- Connect the equipment into an outlet on a circuit different from that to which the receiver is connected.
- Consult the dealer or an experienced radio/TV technician for help.

THIS DEVICE COMPLIES WITH PART 15 OF THE FCC RULES. OPERATION IS SUBJECT TO THE FOLLOWING TWO CONDITIONS.

(1) THIS DEVICE MAY NOT CAUSE HARMFUL INTERFERENCE, AND (2) THIS DEVICE MUST ACCEPT ANY INTERFERENCE RECEIVED, INCLUDING INTERFERENCE THAT MAY CAUSE UNDESIRE OPERATION.

Industry Canada:

Contain IC: 6982A-YRHCPZWOFM

Model: YRMZW2-US

Section 7.1.2 of RSS-GEN Under Industry Canada regulations, this radio transmitter may only operate using an antenna of a type and maximum (or lesser) gain approved for the transmitter by Industry Canada. To reduce potential radio interference to other users, the antenna type

and its gain should be so chosen that the equivalent isotropically radiated power (e.i.r.p.) is not more than that necessary for successful communication.

En vertu des règlements d'Industrie Canada, cet émetteur radio ne peut fonctionner avec une antenne d'un type et un maximum (ou moins) approuvés pour gagner de l'émetteur par Industrie Canada. Pour réduire le risque d'interférence aux autres utilisateurs, le type d'antenne et son gain doivent être choisies de façon que la puissance isotrope rayonnée équivalente (PIRE) ne dépasse pas ce qui est nécessaire pour une communication réussie.

Section 7.1.3 of RSS-GEN This Device complies with Industry Canada License-exempt RSS standard(s).

Operation is subject to the following two conditions: 1) this device may not cause interference, and 2) this device must accept any interference, including interference that may cause undesired operation of the device.

Cet appareil est conforme avec Industrie Canada RSS standard exemptes de licence(s). Son fonctionnement est soumis aux deux conditions suivantes: 1) ce dispositif ne peut causer des interférences, et 2) cet appareil doit accepter toute interférence, y compris les interférences qui peuvent causer un mauvais fonctionnement du dispositif.

This radio transmitter 6982A-YRHCPZWOFM has been approved by Industry Canada to operate with the antenna types listed below with the maximum permissible gain indicated. Antenna types not included in this list, having a gain greater than the maximum gain indicated for that type, are strictly prohibited for use with this device.

Le présent émetteur radio 6982A-YRHCPZWOFM a été approuvé par Industrie Canada pour fonctionner avec les types d'antenne énumérés ci-dessous et ayant un gain admissible maximal. Les types d'antenne non inclus dans cette liste, et dont le gain est supérieur au gain maximal indiqué, sont strictement interdits pour l'exploitation de l'émetteur.

CAN ICES-3B/NMB-3B

Yale Locks & Hardware

Product Support Tel 1-855-213-5841 • www.yalehome.com

Yale Locks & Hardware is a division of Yale Security Inc., an ASSA ABLOY Group company.

Yale® and Yale Real Living® are registered trademarks of Yale Security Inc., an ASSA ABLOY Group Company. Other products' brand names may be trademarks or registered trademarks of their respective owners and are mentioned for reference purposes only. Copyright © 2017, Yale Security Inc., an ASSA ABLOY Group company. All rights reserved. Reproduction in whole or in part without the express written permission of Yale Security Inc. is prohibited.

YALE, with its unique global reach and range of products, is the world's favorite lock
– the preferred solution for securing your home, family and personal belongings.

ASSA ABLOY is the global leader in door opening solutions,
dedicated to satisfying end-user needs for security, safety and convenience.

Yale Locks

Z-Wave Plus System Integrators
Guide

Yale Assure Lever Lock

YRL 216/226

Contents

Yale Z-Wave Plus Info 3

Supported Command Classes 3

Association Table 4

Notifications Table 4

Configurable Parameters 6

Yale Z-Wave Plus Info

Manufacturer ID: Assa Abloy (0x0129)

Z-Wave Device Type: Door Lock Keypad

Z-Wave Role Type: Listening Sleeping Slave (LSS)

Product ID: 0x0F00

Product Type ID:

0x800C – YRL226-ZW2 (Touch Screen interface)

0x800B – YRL216-ZW2 (Push Button Interface)

Supported Command Classes

Command Class Z-Wave Plus Info
Command Class Manufacturer Specific
Command Class Security
Command Class Device Reset Locally
Command Class Power Level
Command Class Version
Command Class Battery*
Command Class Door Lock*
Command Class Door Lock Logging*
Command Class Schedule Entry Lock*
Command Class User Code*
Command Class Time Parameters*
Command Class Time*
Command Class Association* Command
Class Association Group Info* Command
Class Notification* Command Class
Configuration* Command Class Firmware
Update Md*

* Command Class Requires Security

Association Table

Group ID	Maximum Nodes	Description	Commands
1	1	Lifeline	Command_Class_Battery, Battery_Report ; Command_Class_Notification, Notification_Report; Command_Class_Configuration, Configuration_Report; Command_Class_Device_reset_locally, Device_Reset_locally_notification

Notifications Table:

<i>Alarm Reports</i>	<i>Alarm type</i>	<i>Alarm Level (2Bytes)</i>	<i>Description</i>
Master Code changed.	0x70	0x0000	Master code was changed at keypad
		0xFB	Master code was changed over RF
User added		0x(0001-max users)	User added. Alarm level = user slot number
User deleted	0x21	0x(0001-max users)	User was deleted. Alarm level = user slot number
Tamper Alarm	0xA1	0x0001	keypad attempts exceed code entry limit
		0x0002	front escutcheon removed from main
Manual Unlock	0x16	0x0001	by key cylinder or inside thumb-turn
		0x0002	By Inside Button
RF Operate Unlock	0x19	0x0001	by RF module
Keypad Unlock	0x13	0x(0001-max users)	Where Alarm level represents user slot number
Manual Lock	0x15	0x0001	by key cylinder or inside thumb-turn
		0x0002	by one touch function (lock and leave)
		0x0003	By inside button
RF Operate Lock	0x18	0x0001	by RF module
Keypad Lock	0x12	0x (0001 – max users)	Where Alarm level represents user slot number
Deadbolt Jammed	0x09	0x0001	Deadbolt motor jammed Locking
		0x0002	Deadbolt motor jammed Unlocking
Lock Reset to Factory defaults	0x30	0x0000	lock was reset manually to factory defaults lock
		0x0001	was reset over RF with a value of 0x01;
		0x0002	was reset over RF with a value of 0x02; reserved for future use

Non Access	0x26	0x(0001-max users)	A Non Access Code was entered at the lock. Where alarm level represents user slot number
Low Battery Alarms	0xA9	0x(Current %)	Too Low to operate (Starting at 3.8V)
	0xA8	0x(Current %)	Critical Battery Level (Starting at 4.0V)
	0xA7	0x(Current %)	Low Battery (Starting at 4.2V)
Auto Lock Operate Locked	0x1B	0x0001	Auto re-lock cycle complete, locked.
Duplicate Pin-code error	0x71	0x (0001-max users)	Where Alarm level represents user slot number Alarm generated in response to add user RF cmd. This alarm is not generated when attempting to add duplicate pin at the keypad. The lock simply denies it and plays the "Denied". Trying to duplicate the master code will result in a 0x71 0x00 alarm report.
RF Module Power Cycled	0x82	0x0001	Power to RFM was restored, sent by RF module. The lock doesn't send any alarm to the RF module when power is cycled.
Disabled user entered at keypad	0x83	0x (0001-max users)	A disabled user pin code was entered at the keypad. Alarm Level represents user slot number.
Valid user but outside of schedule	0x84	0x (0001-max users)	A valid user can be both a normal user and a Non-Access user. If a non-access user is out of schedule this alarm will be sent instead of the non-access alarm. Alarm Level represents user slot number.
Daily Repeating Schedule Set	0x60	User ID	Daily Repeating Schedule(s) were Set (Erased/Set) for User ID specified in Alarm Level. If Alarm Level = 0xFFFF then all users were affected.
Daily Repeating Schedule Enabled/Disabled	0x61	User ID	Daily Repeating Schedule(s) were enabled/disabled for User ID specified in Alarm Level. If Alarm Level = 0xFFFF then all users were affected.
Year Day Schedule Set	0x62	User ID	Year Day Schedule(s) were Set (Erased/Set) for User ID specified in Alarm Level. If Alarm Level = 0xFFFF then all users were affected.
Year Day Schedule Enabled/Disabled	0x63	User ID	Year Day Schedule(s) were Enabled/Disabled for User ID specified in Alarm Level. If Alarm Level = 0xFFFF then all users were affected.
All Schedule Types Set	0x64	User ID	All Schedule Types were Set (erased/set) for User ID specified in Alarm Level. If Alarm Level = 0xFFFF then all users were affected.
All Schedule Types Enabled/Disabled	0x65	User ID	All Schedule types were enabled/disabled for User ID specified in Alarm Level. If Alarm Level = 0xFFFF then all users were affected.

** - The Yale lock also supports a 3rd low battery alarm, too low to operate. This alarm is sent out as a Battery Report (with value = 0xFF) through the Battery Command Class. This is the last low battery alarm level before the product stops functioning.

Configurable Parameters

<u>Configuration Parameters</u>	<u>Parameter Number</u>	<u>Size</u>	<u>Description</u>
Silent mode on/off	1	1 byte	Level control for YRL226, 1 = High Volume, 2 = Low Volume, 3 = Silent. Default is 2 or Low Volume Level Control for YRL216, 1 = Enabled, 3 = Disabled. Default is 1 or Enabled
Auto Relock on/off	2	1 byte	0x00 = OFF, 0xFF = ON default is 0x00 or OFF
Auto Relock time	3	1 byte	10 to 180 seconds default is 30 seconds
Wrong Code Entry Limit	4	1 byte	3 to 10 default is 5 times
Shut down time (after wrong code entries)	7	1 byte	10 to 180 seconds default is 60 seconds
operating mode	8	1 byte	00 = normal mode (this is the default mode) 01 = vacation mode, keypad lockout
One Touch Locking	11	1 byte	0x00 = OFF, 0xFF = ON default is 0xFF or ON.
Lock Status LED	13	1 byte	0x00 = OFF, 0xFF = ON default is 0x00 or OFF.
Reset To Factory Defaults	15	1 byte	01 = Lock will execute Reset To Factory. No default value