

Yale Locks

YRC216 Z-Wave Plus System Integrators

Guide Yale Assure Deadbolt Lock

Document Revision: 1

January 2, 2019

Contents

Yale Z-Wave Plus Product Info 3

Supported Command Classes 3

Association Table 3

Notifications Table 4

Configurable Parameters 6

Yale Z-Wave Plus Product Info

Manufacturer ID: Assa Abloy (0x0129)

Z-Wave Device Type: Door Lock Keypad

Z-Wave Role Type: Listening Sleeping Slave (LSS)

Product ID: 0x0600

Product Type ID:

0x8004 – YRC216-ZW2 (Push Button Deadbolt)

Supported Command Classes

Command Class Z-Wave Plus Info

Command Class Manufacturer Specific

Command Class Security

Command Class Device Reset Locally

Command Class Power Level

Command Class Version

Command Class Battery*

Command Class Door Lock*

Command Class Door Lock Logging*

Command Class Schedule Entry Lock*

Command Class User Code*

Command Class Time Parameters*

Command Class Time*

Command Class Association*

Command Class Association Group Info*

Command Class Notification*

Command Class Configuration*

Command Class Firmware Update Md*

* Command Class Requires Security

Association Table

Group ID	Maximum Nodes	Description	Commands
1	1	Lifeline	Command_Class_Battery, Battery_Report ; Command_Class_Notification, Notification_Report; Command_Class_Configuration, Configuration_Report; Command_Class_Device_reset_locally, Device_Reset_locally_notification

Notifications Table

<u>Alarm Reports</u>	<u>Alarm type</u>	<u>Alarm Level</u>	<u>Description</u>
Master Code changed.	0x70	0x00	Master code was changed at keypad
		0xFB	Master code was changed over RF
User added	0x21	0x(01-max users)	User added. Alarm level = user slot number
User deleted		0x(01-max users)	User was deleted. Alarm level = user slot number
Tamper Alarm	0xA1	0x01	keypad attempts exceed code entry limit
		0x02	front escutcheon removed from main
RF Operate Unlock	0x19	0x01	by RF module
Manual Unlock	0x16	0x01	By key cylinder or inside thumb turn
Keypad Unlock	0x13	0x(01-max users)	Where Alarm level represents user slot number (0xFB = Master Code)
Manual Lock	0x15	0x01	by key cylinder or inside thumb-turn
		0x02	by touch function (lock and leave)
		0x03	By inside button
RF Operate Lock	0x18	0x01	by RF module
Keypad Lock	0x12	0x (01 - max users)	Where Alarm level represents user slot number
Non Access	0x26	0x(01-max users)	A Non Access Code was entered at the lock. Where alarm level represents user slot number
Deadbolt Jammed	0x09	0x01	Deadbolt jammed while locking
		0x02	Deadbolt jammed while unlocking
Low Battery Alarms**	0xA9	0x (Current %)	Too Low to operate (Starting at 3.8V)
	0xA8	0x (Current %)	Critical Battery Level (Starting at 3.9V)
	0xA7	0x (Current %)	Low Battery (Starting at 4.2V)
Auto Lock Operate Locked	0x1B	0x01	Auto re-lock cycle complete, locked.
Duplicate Pin-code error	0x71	0x (01-max users)	Where Alarm level represents user slot number Alarm generated in response to add user RF cmd. This alarm is not generated when attempting to add duplicate pin at the keypad. The lock simply denies it

			and plays the “Denied” . Trying to duplicate the master code will result in a 0x71 0x00 alarm report.
RF Module Power Cycled	0x82	0x00	Power to RFM was restored, sent by RF module. The lock doesn’t send any alarm to the RF module when power is cycled.
Disabled user entered at keypad	0x83	0x(01-max users)	A disabled user pin code was entered at the keypad
Valid user but outside of schedule	0x84	0x(01-max users)	A valid user can be both a normal user and a Non-Access user. If a non-access user is out of schedule this alarm will be sent instead of the non-access alarm.
Daily Repeating Schedule Set/Erased	0x60	0x(01-max users)	Schedule(s) has been set/erased for specified user ID
Daily Repeating Schedule Enabled/Disabled	0x61	0x(01-max users)	Schedule(s) has been enabled/disabled for specified user ID
Year Day Schedule Set/Erased	0x62	0x(01-max users)	Schedule(s) has been set/erased for specified user ID
Year Day Schedule Enabled/Disabled	0x63	0x(01-max users)	Schedule(s) has been enabled/disabled for specified user ID
All Schedule Types Erased	0x64	0x(01-max users)	Schedule(s) has been set/erased for specified user ID
All Schedule Types Enabled/Disabled	0x65	0x(01-max users)	Schedule(s) has been enable/disabled for specified user ID

** - The Yale Assure Deadbolt locks also supports a 3rd low battery alarm, too low to operate. This alarm is sent out as a Battery Report (with value = 0xFF) through the Battery Command Class. This is the last low battery alarm level before the product stops functioning.

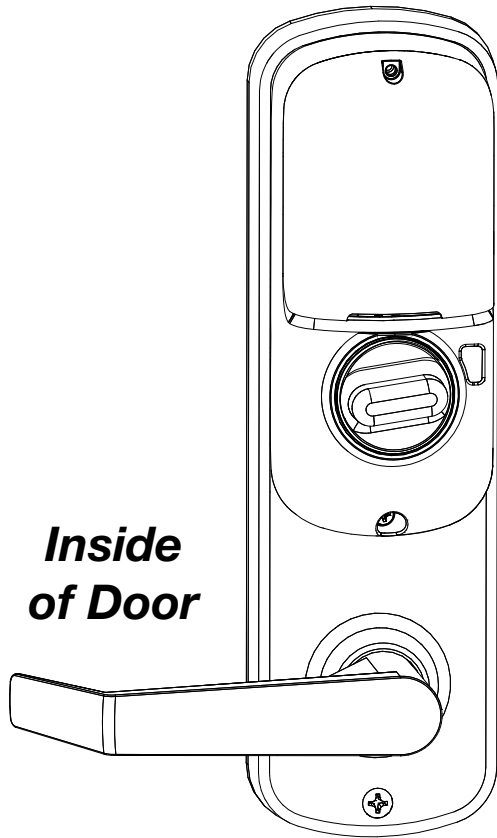
Configurable Parameters

<u>Configuration Parameters</u>	<u>Parameter Number</u>	<u>Size</u>	<u>Description</u>
Silent mode on/off	1	1 byte	Level control, 1 = High Volume, 3 = Silent. Default is 1 or High Volume
Auto Relock on/off	2	1 byte	0x00 = OFF, 0xFF = ON default is 0x00 or OFF
Auto Relock time	3	1 byte	10 to 180 seconds default is 30 seconds
Wrong Code Entry Limit	4	1 byte	3 to 10 default is 5 times
Shut down time (after wrong code entries)	7	1 byte	10 to 180 seconds default is 60 seconds
operating mode	8	1 byte	00 = normal mode (this is the default mode) 01 = vacation mode, keypad lockout
One Touch Locking	11	1 byte	0x00 = OFF, 0xFF = ON default is 0xFF or ON.
Privacy Button	12	1 byte	0x00 = OFF, 0xFF = ON default is 0x00 or OFF
Lock Status LED	13	1 byte	0x00 = OFF, 0xFF = ON default is 0x00 or OFF.
Reset To Factory Defaults	15	1 byte	01 = Lock will execute Reset To Factory. No default value

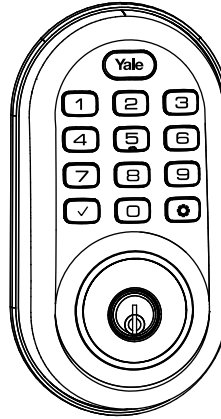


Yale *real* Living

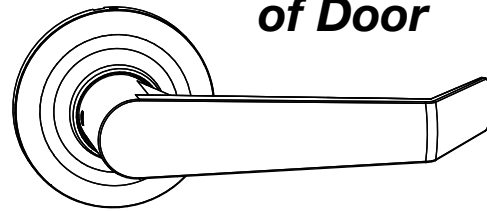
Yale® Assure Lock® Electronic Interconnected Push Button Installation and Programming Instructions (YRC216)



**Inside
of Door**



**Outside
of Door**



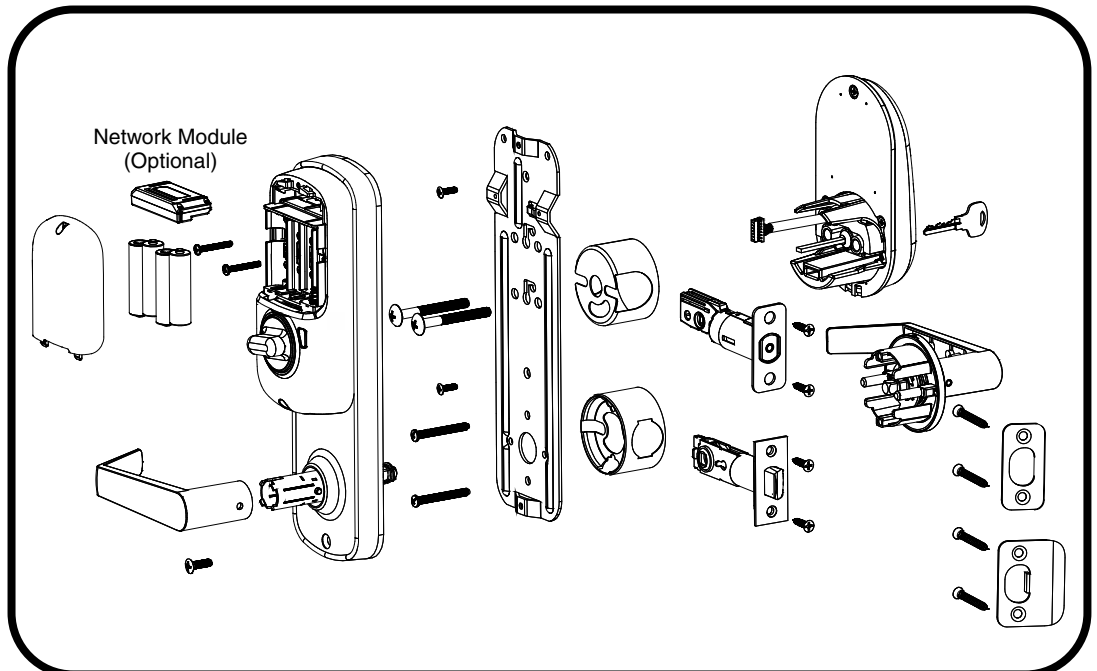
4" Touchscreen Shown - 5.5" Available

Before you begin

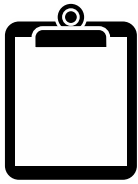
DOWNLOAD THE BILT APP

for step-by-step installation instructions & to register your product

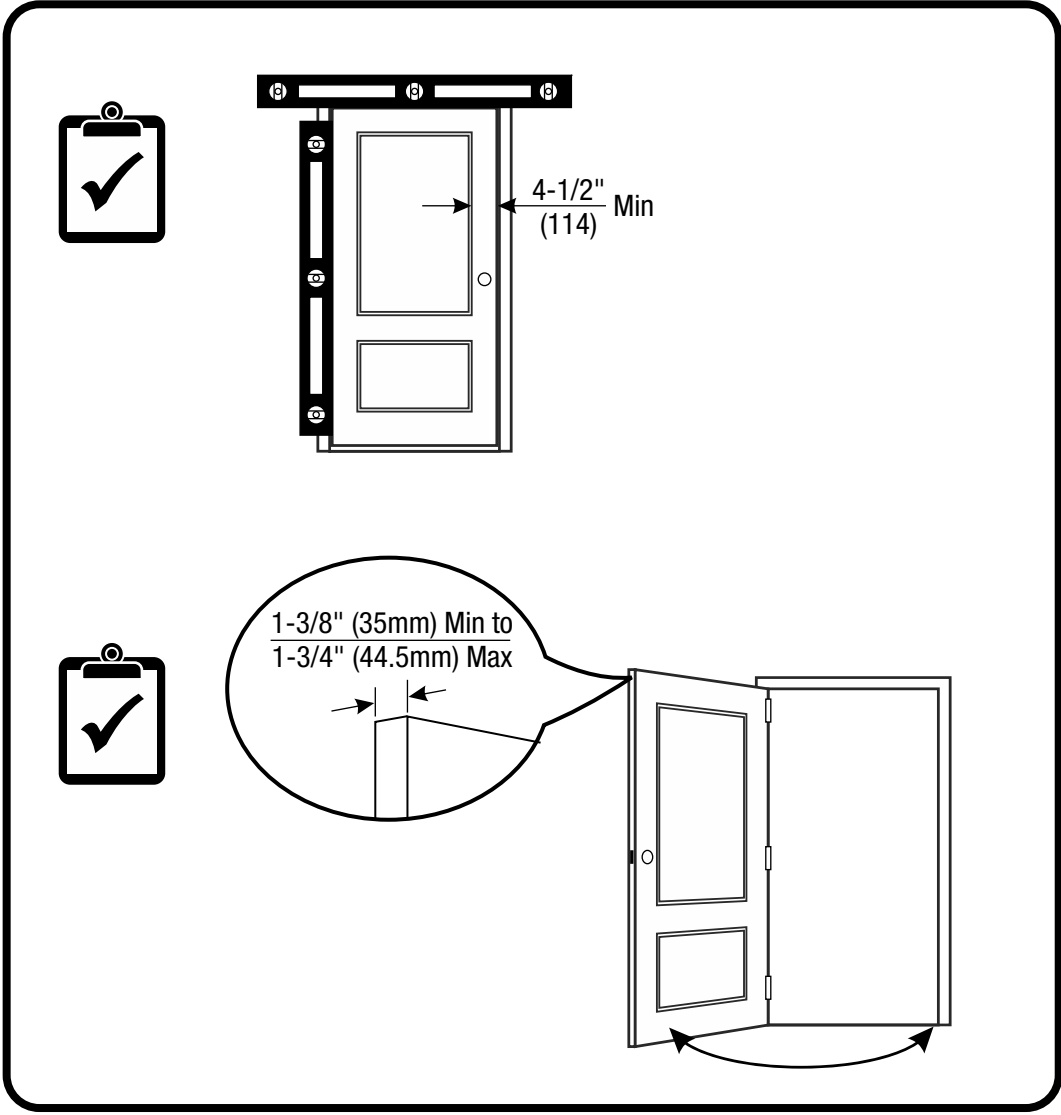
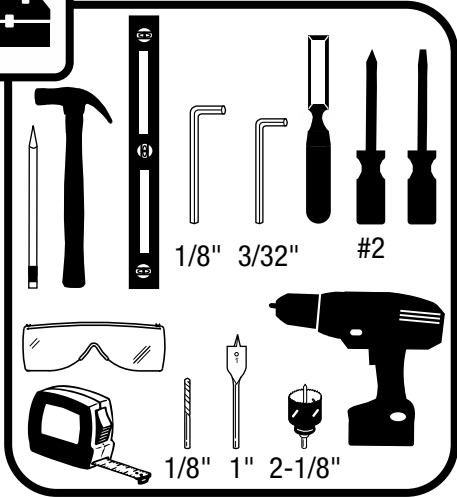
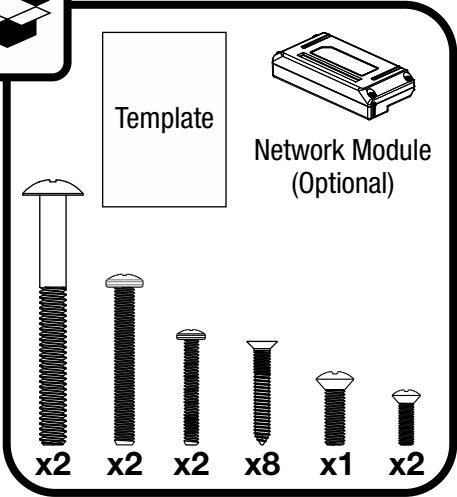
BILT.

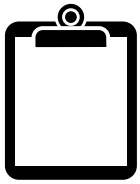


Retrofitting or modifying this product may impact fire rating, safety features and warranty. Consult with code specifications to ensure compliance with all codes and ratings.

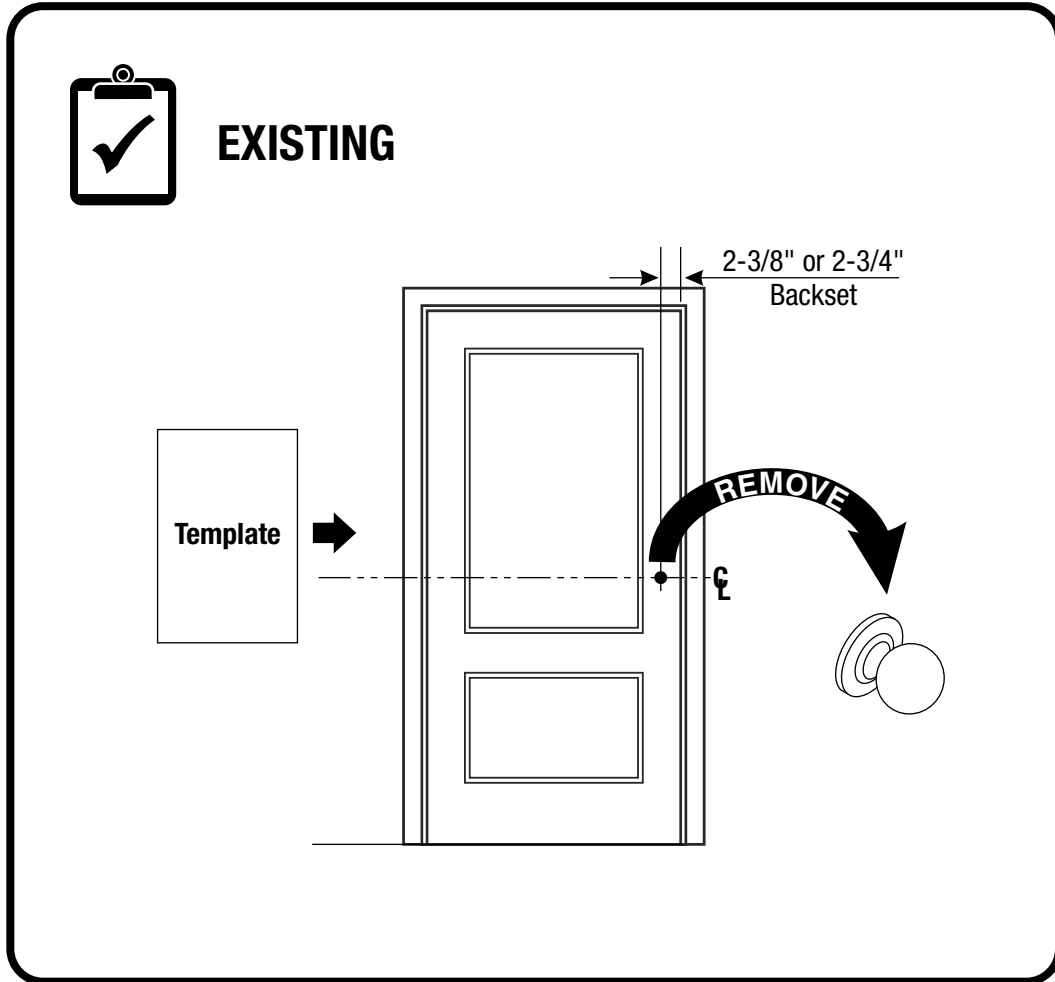


Before You Begin



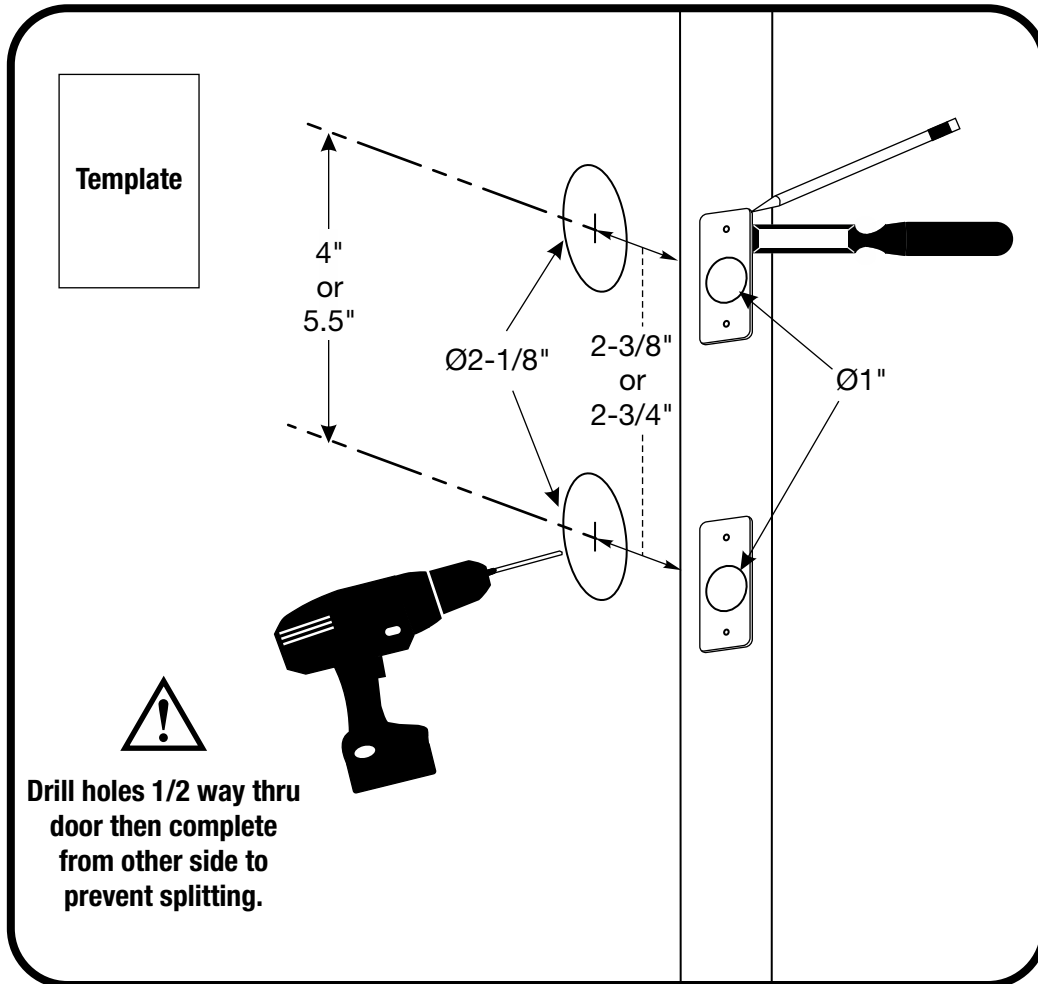


Mark Door Reference Lines



1

Preparing Door *(if necessary)*



2

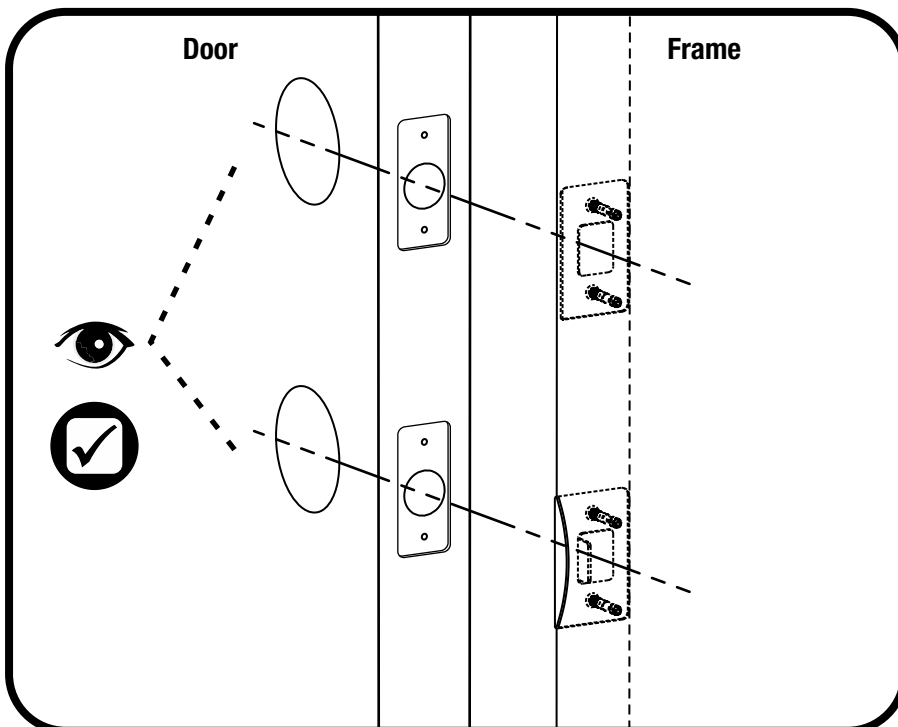
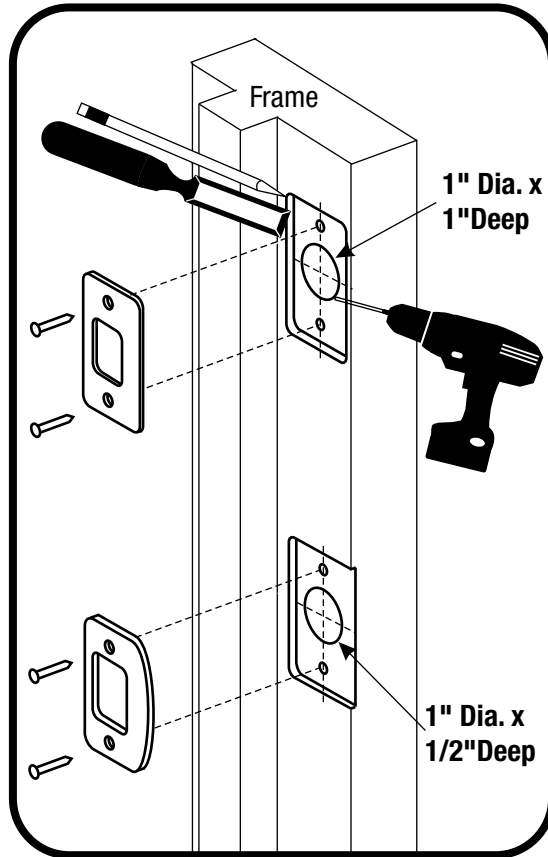
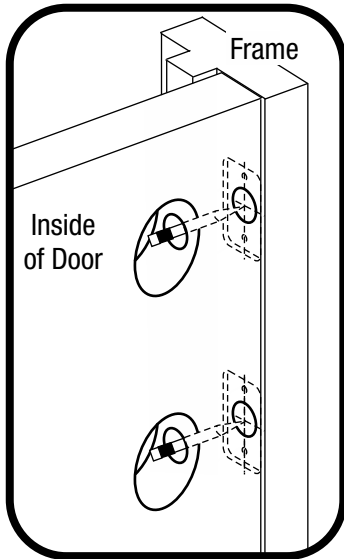
Installing Strike Plates

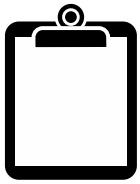


7-16 / 8-32 x 1" UNCWS



x4

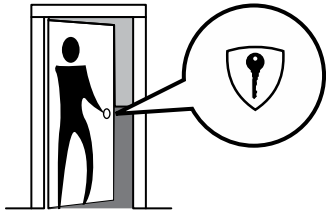




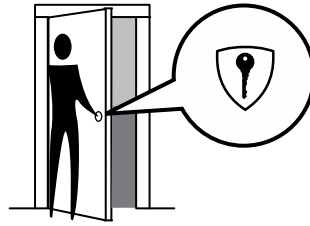
Determining Handing



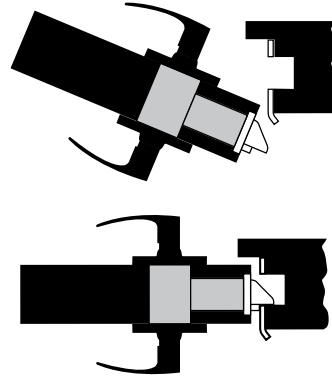
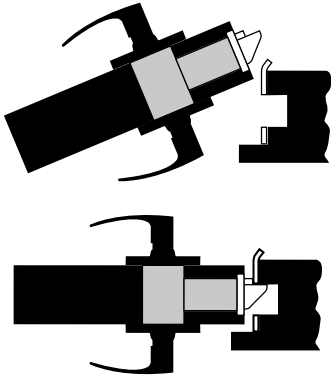
The hand of a door is determined from the secure side of the door. The term "secure" means the side from which you initially unlock and enter.



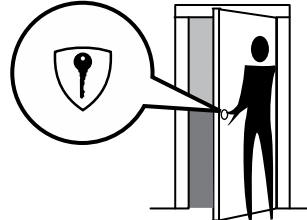
Left Hand "LH", Hinges Left.
Open Inward.



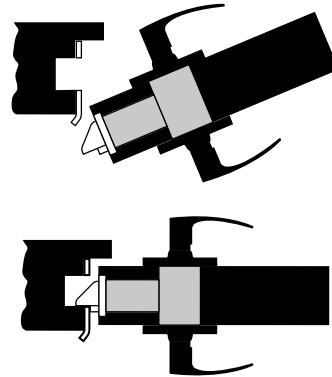
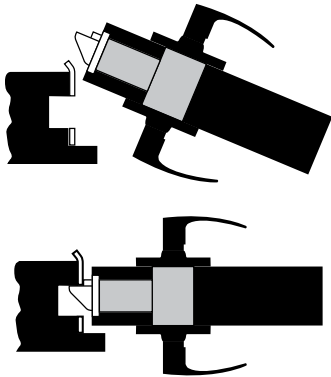
Left Hand Reverse "LHR", Hinges Left.
Open Outward.



Right Hand "RH", Hinges Right.
Open Inward.



Right Hand Reverse "RHR", Hinges Right.
Open Outward.

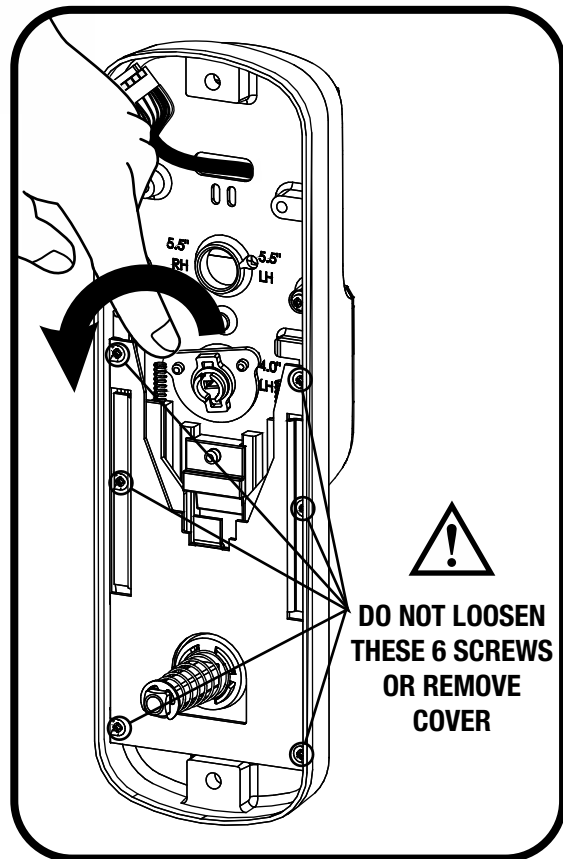
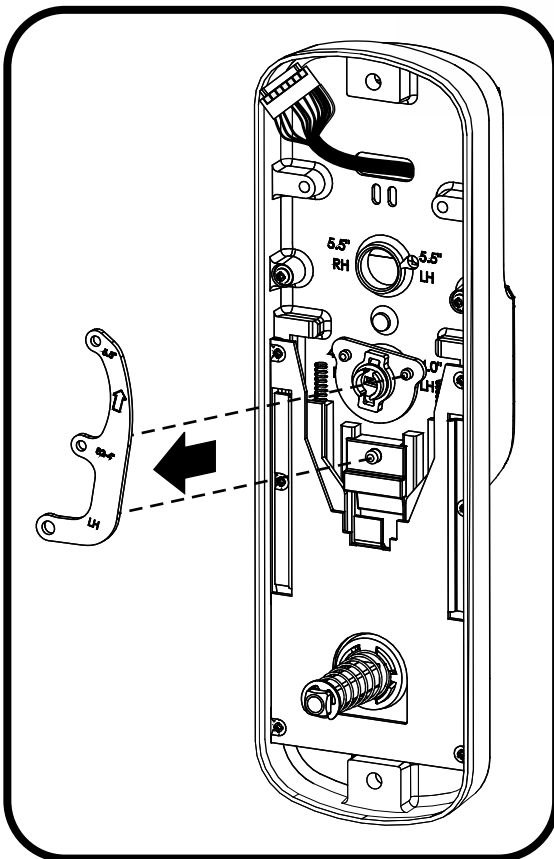
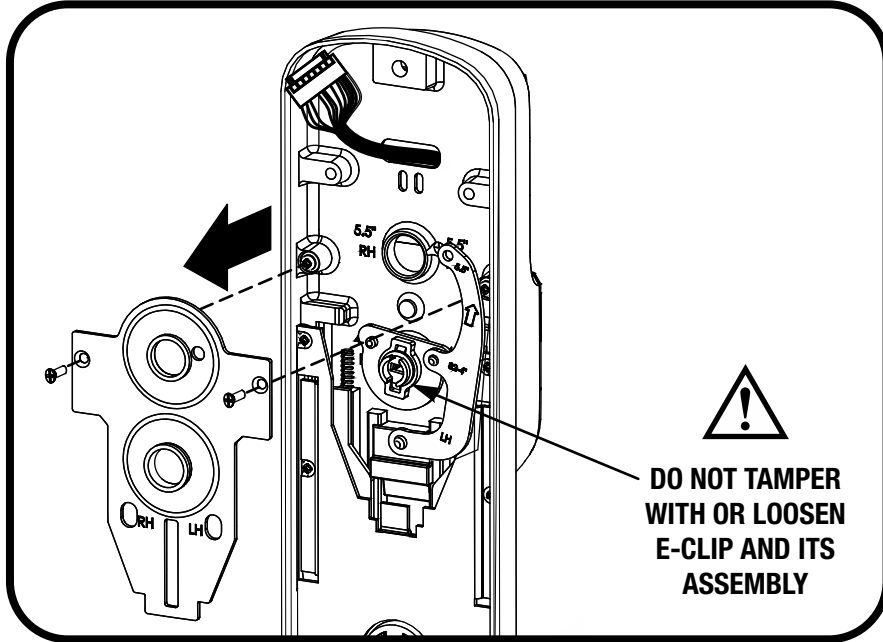


3

Changing Handing (if necessary)

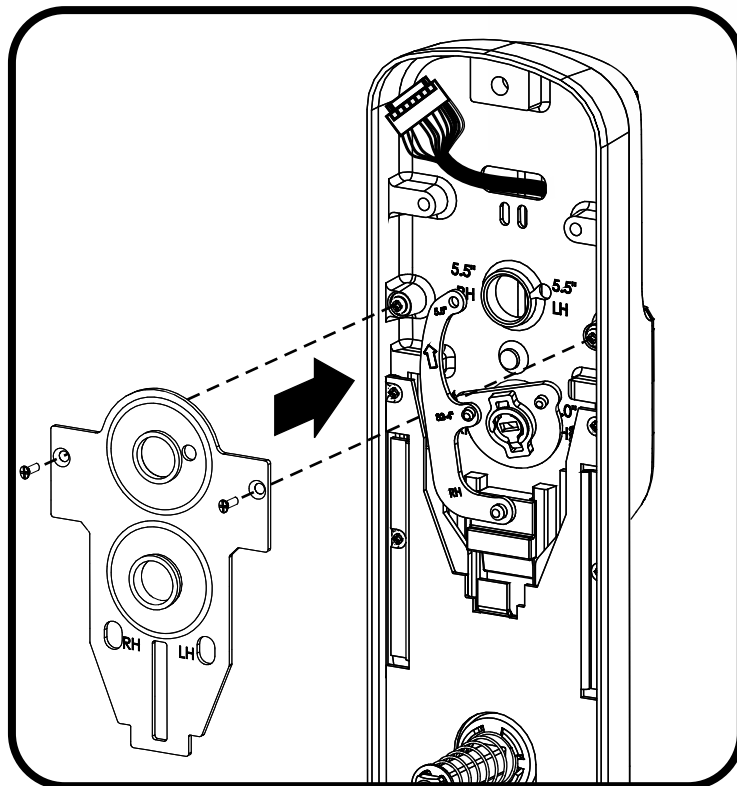
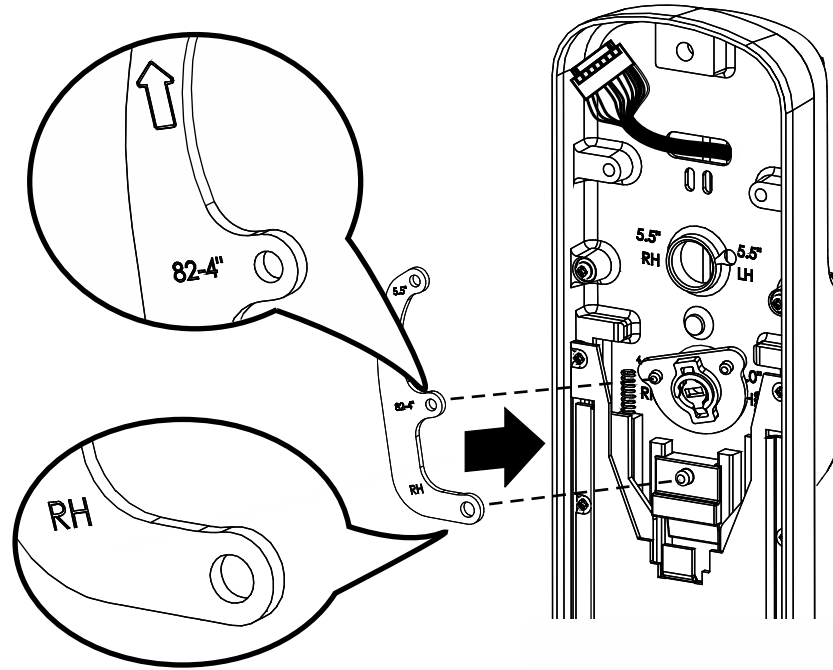
4" Left Hand to 4" Right Hand Shown

4-24 x 1/4" PPHMS



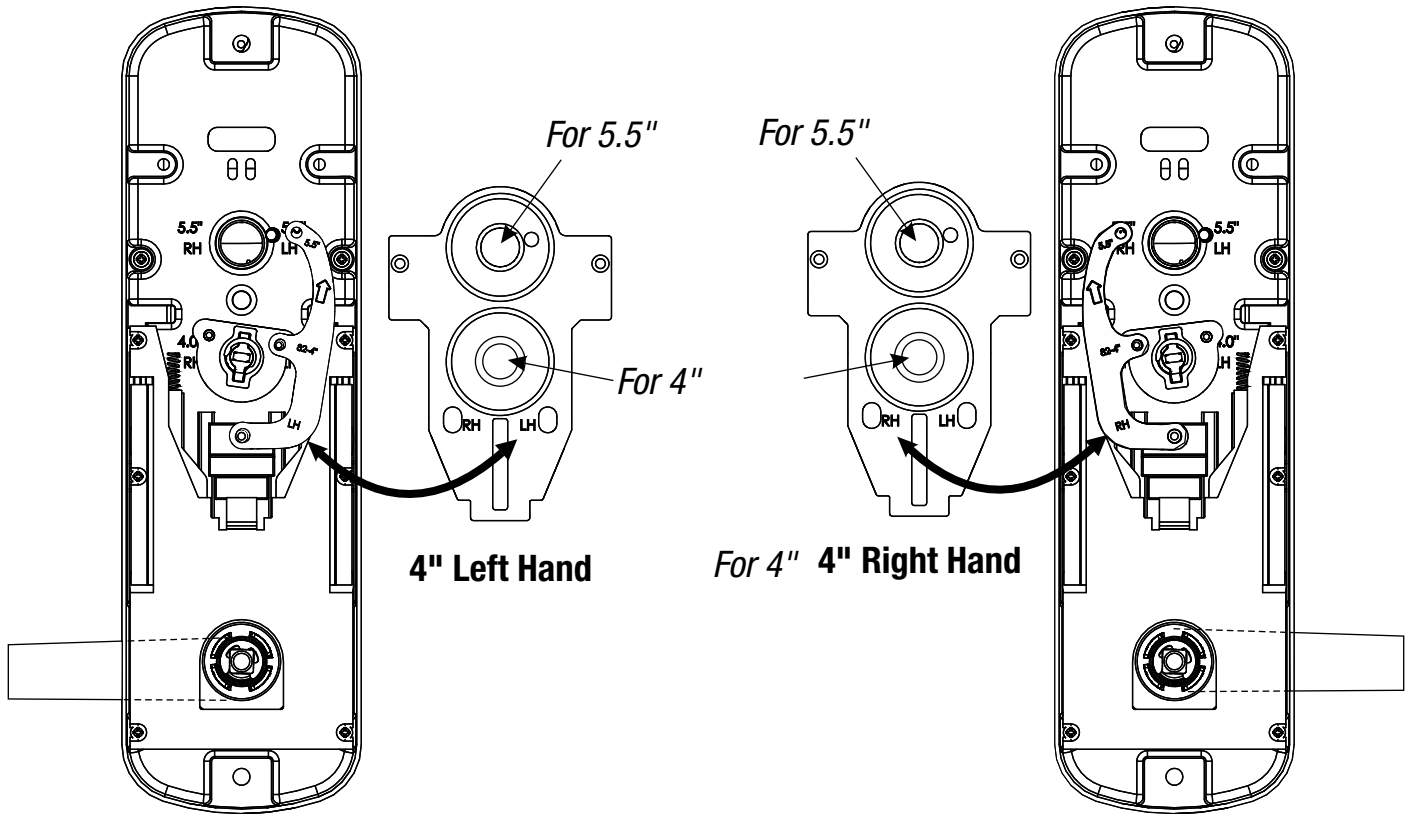
3

Changing Handing (if necessary) continued





Lockset Handing Configurations

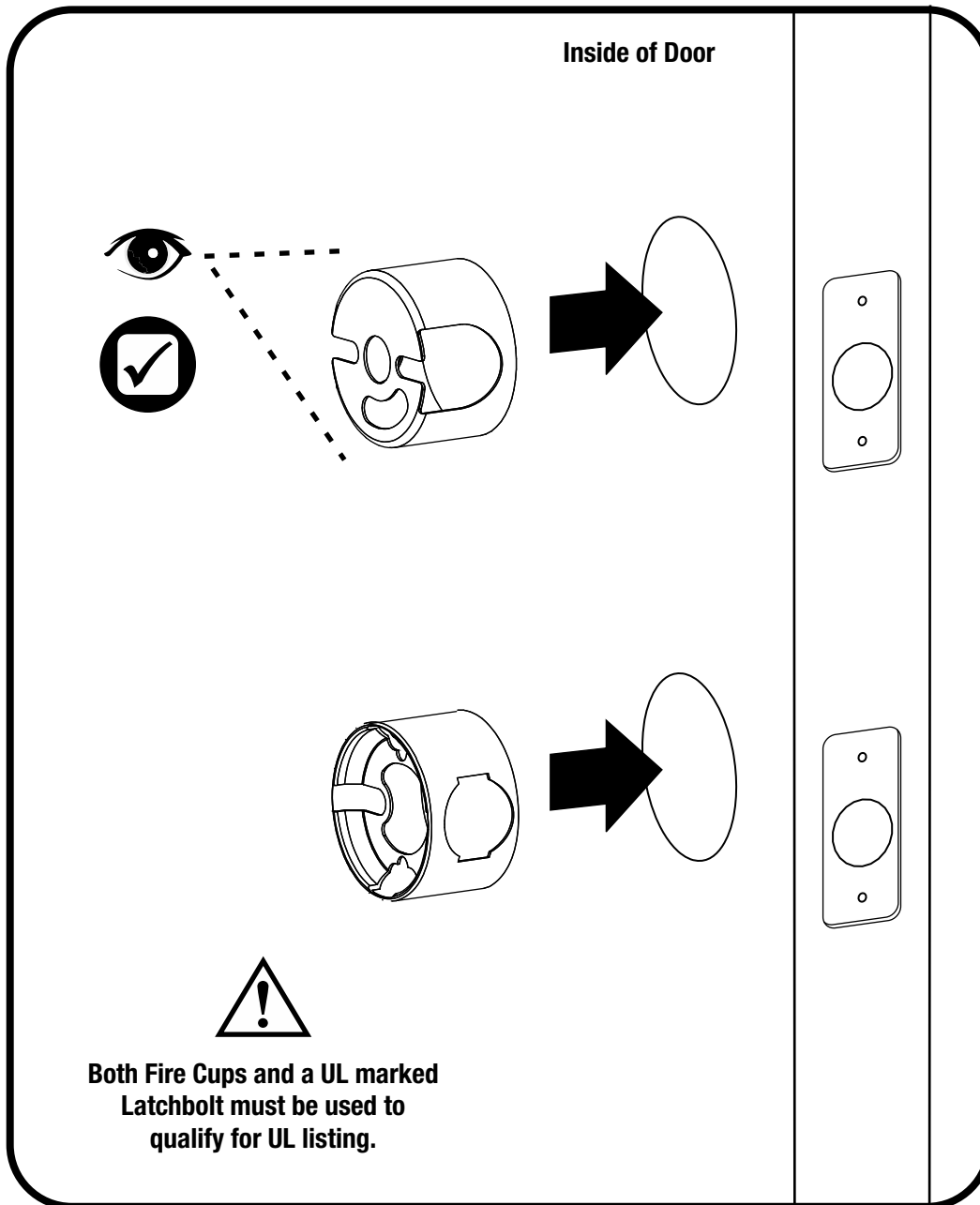


Test Lever and Thumbturn

After handing is changed, check that lever and thumbturn rotate freely.

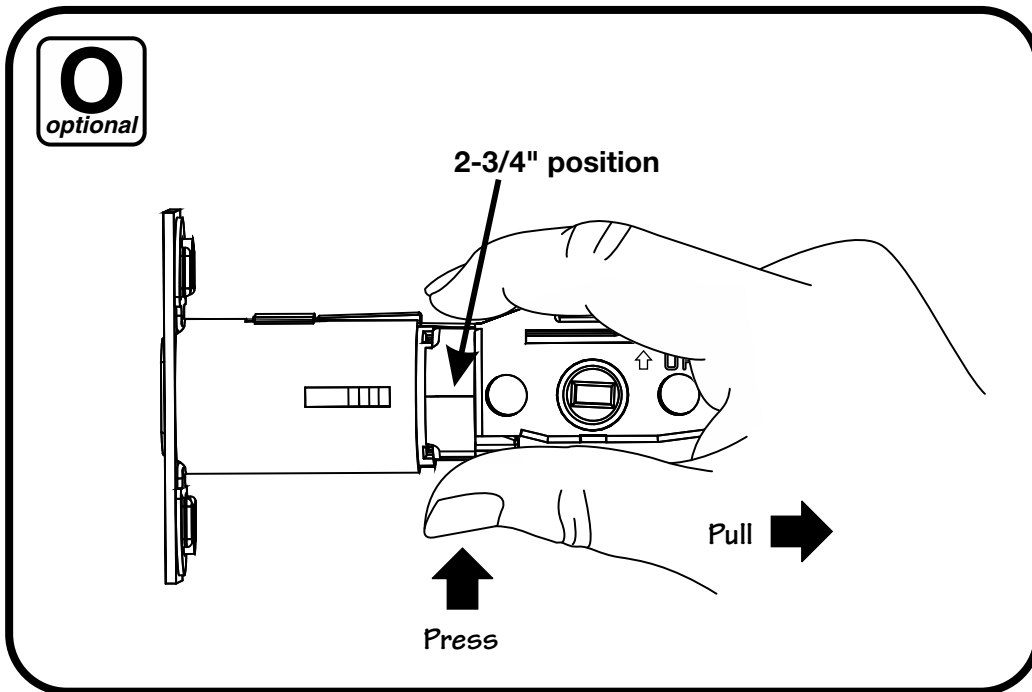
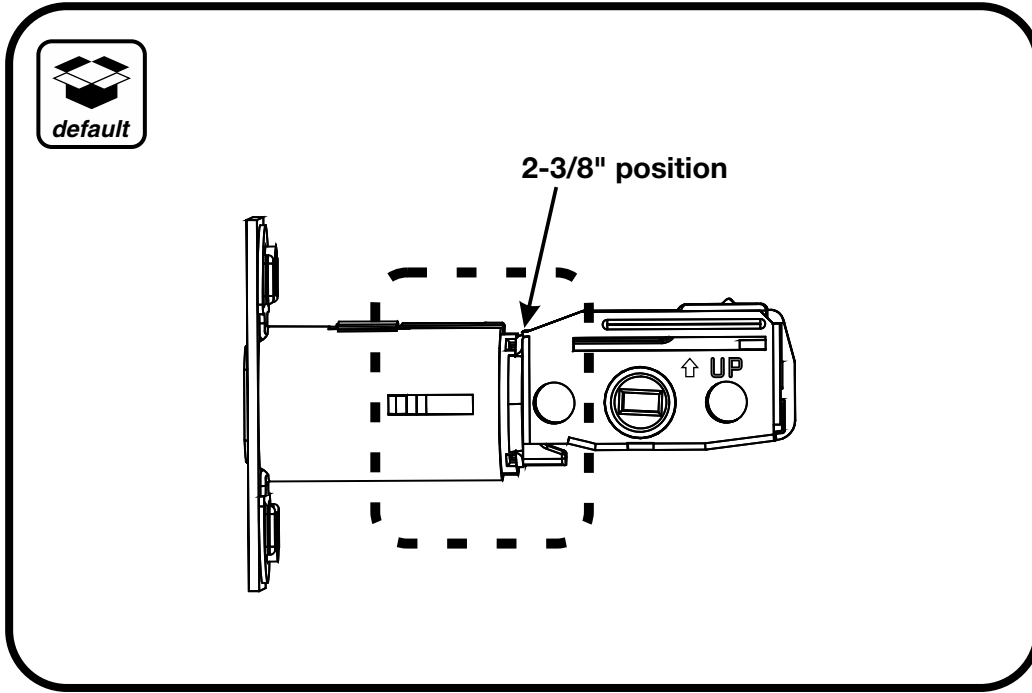
4

Installing Fire Cups



5

Adjusting Deadbolt Latch *(If adjustable deadbolt latch provided)*



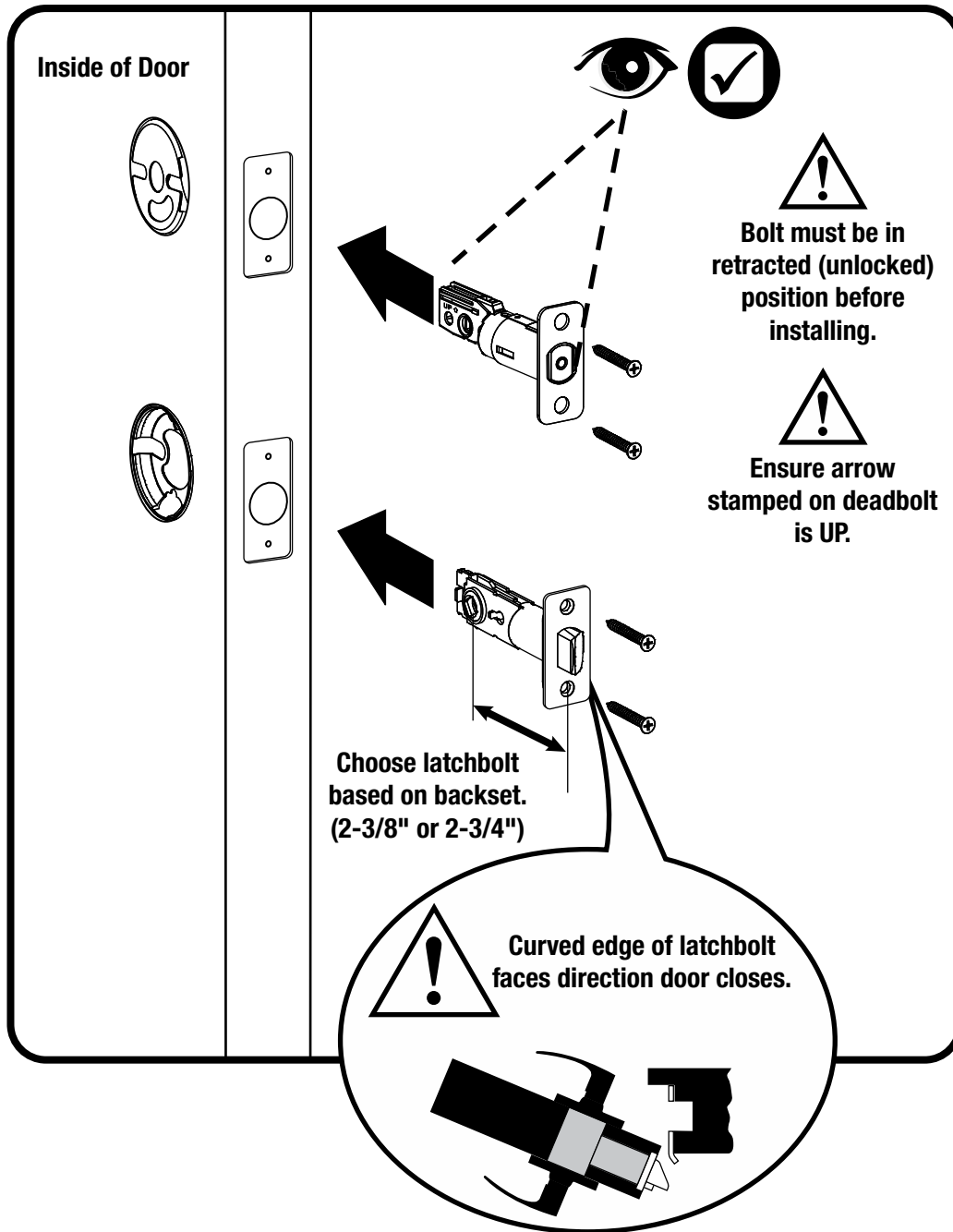
6

Installing Deadbolt Latch & Latchbolt

7-16 / 8-32 x 1" UNCWS

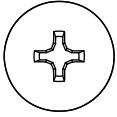


x4

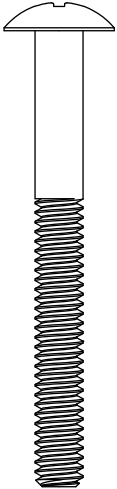


7

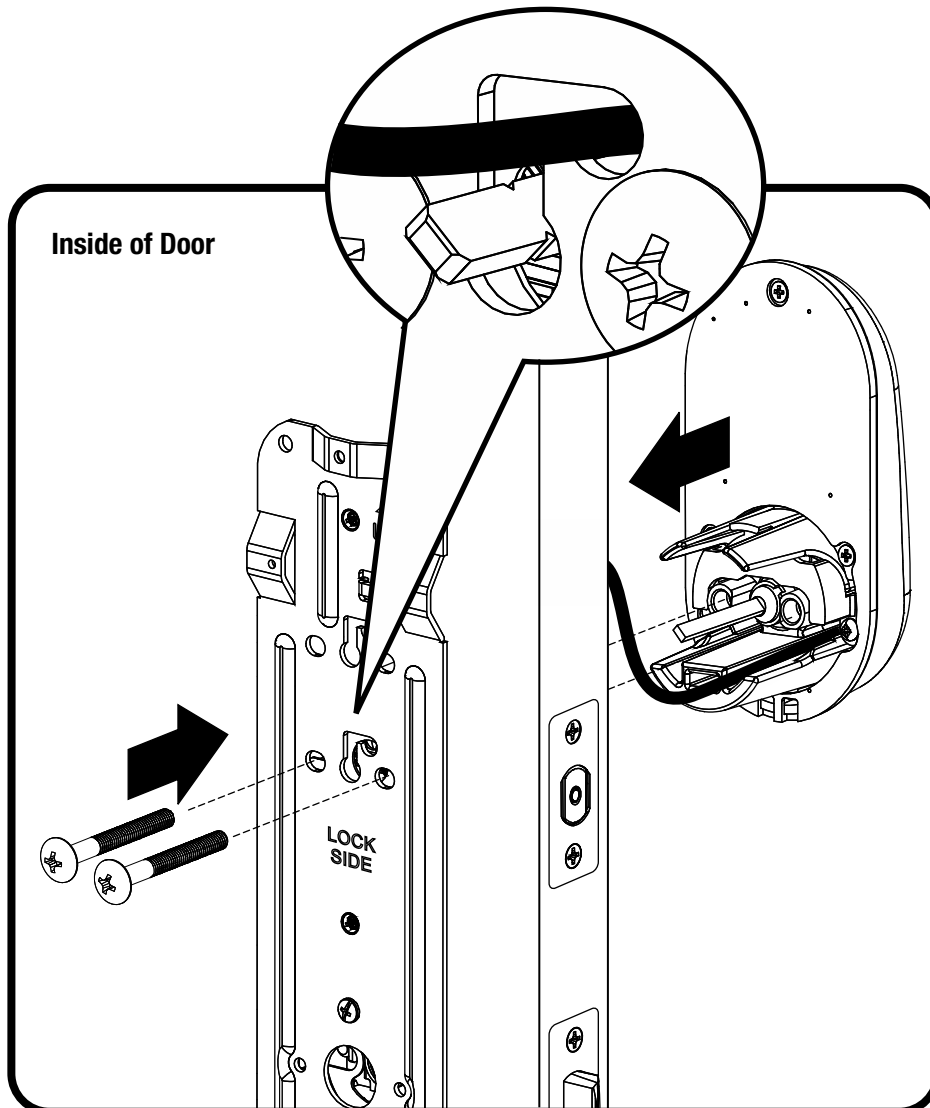
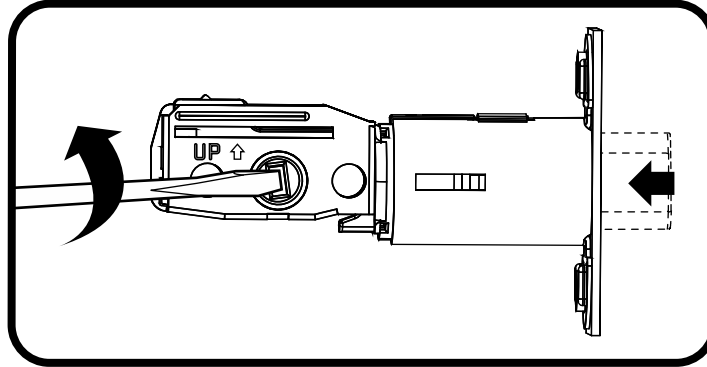
Installing Exterior Deadbolt



M6x55 PPHMS



x2

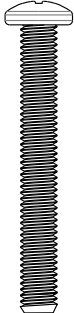


8

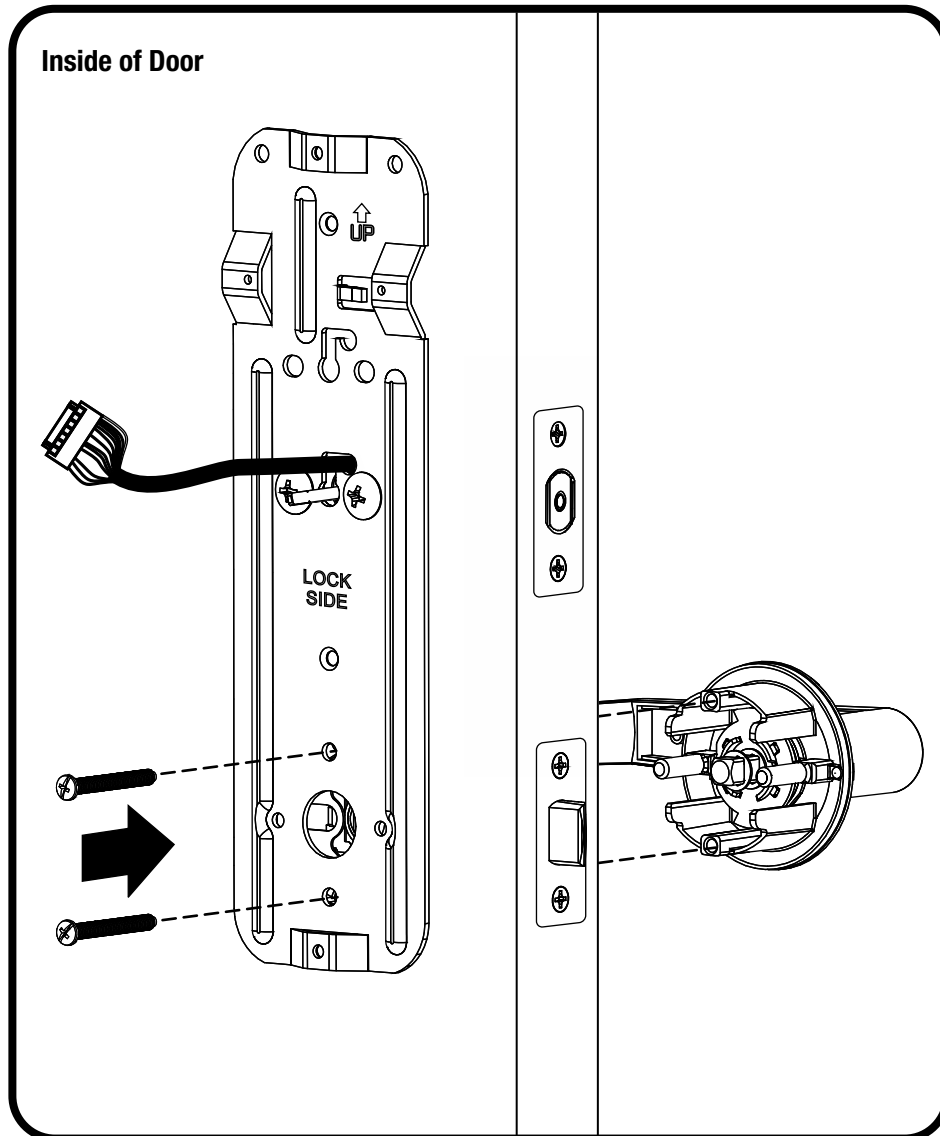
Installing Lock Chassis



10-32 x 1-1/2" PPHMS



x2



9

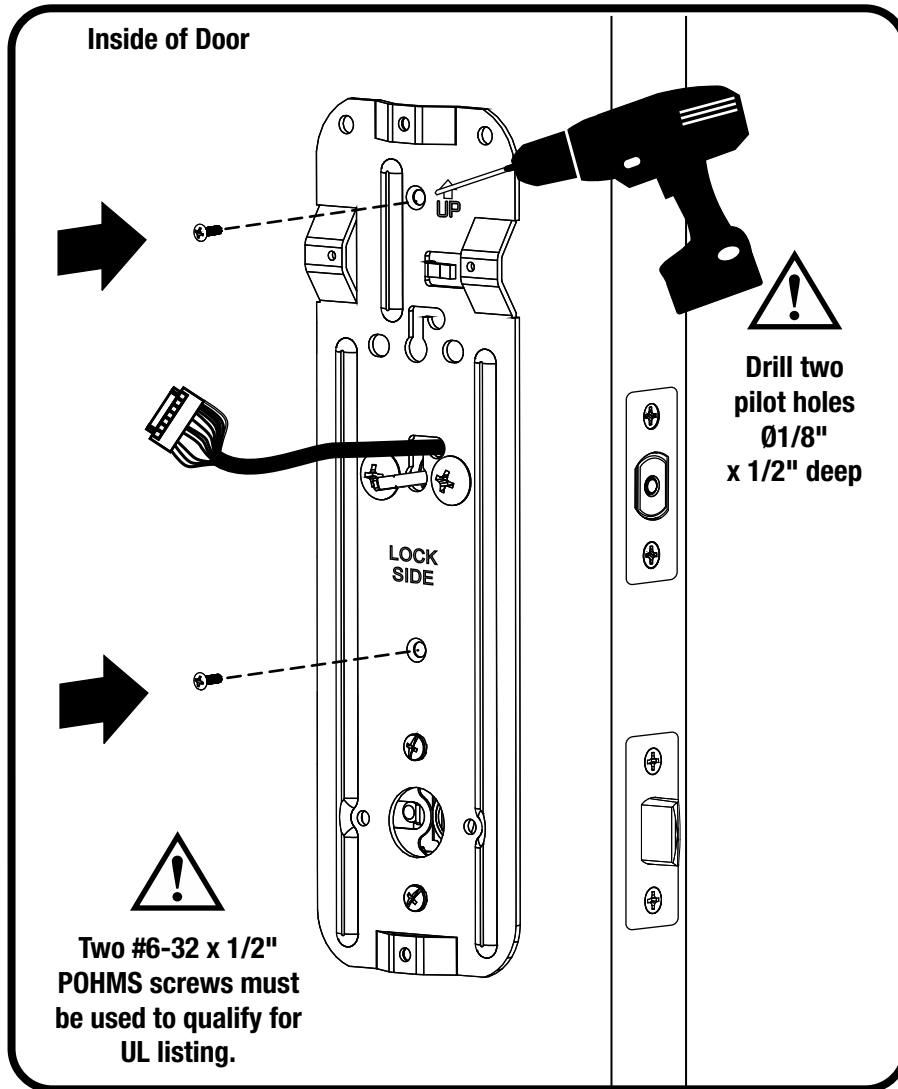
Securing Back Plate to Door



#6-32 x 1/2" POHMS

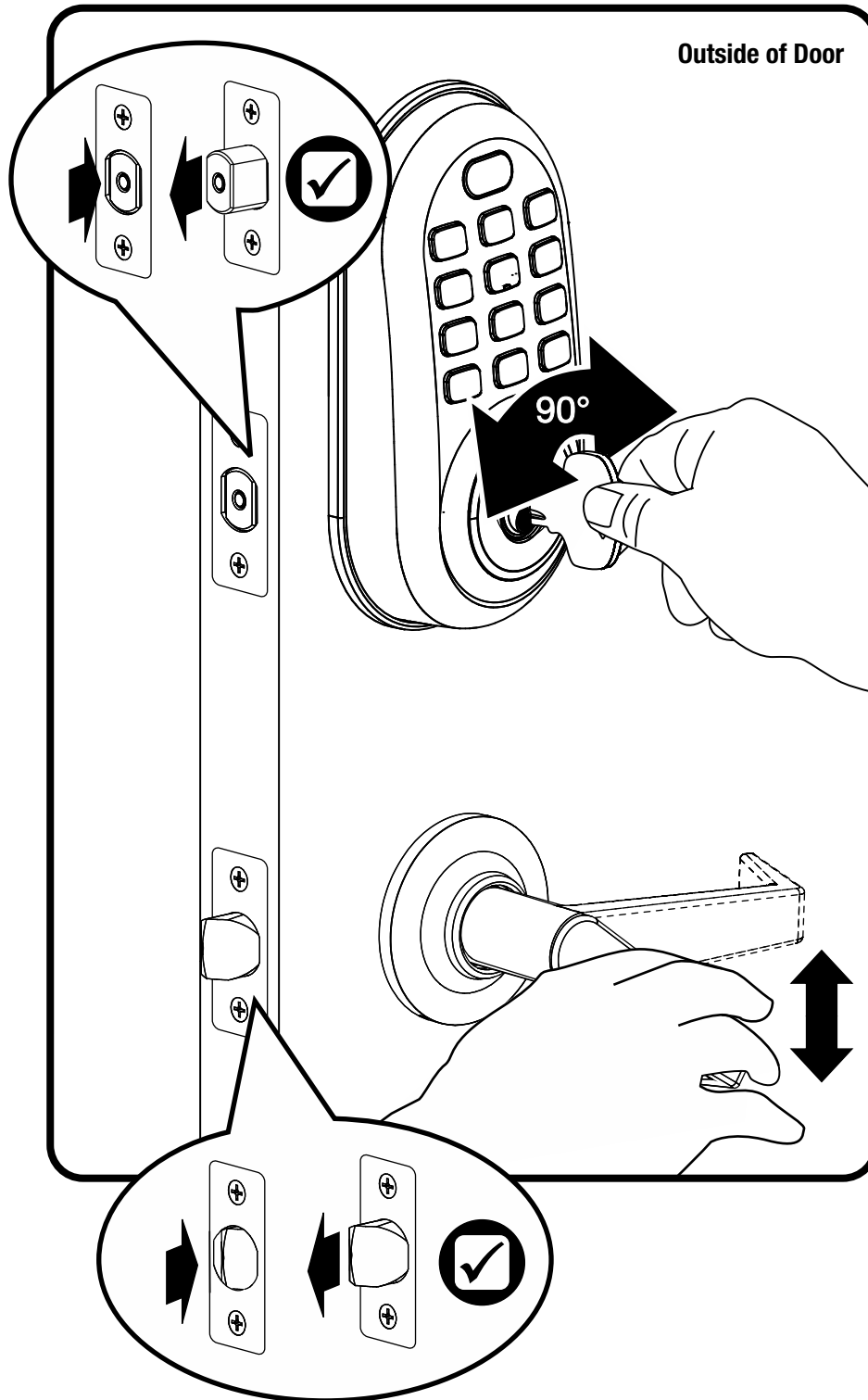


x2



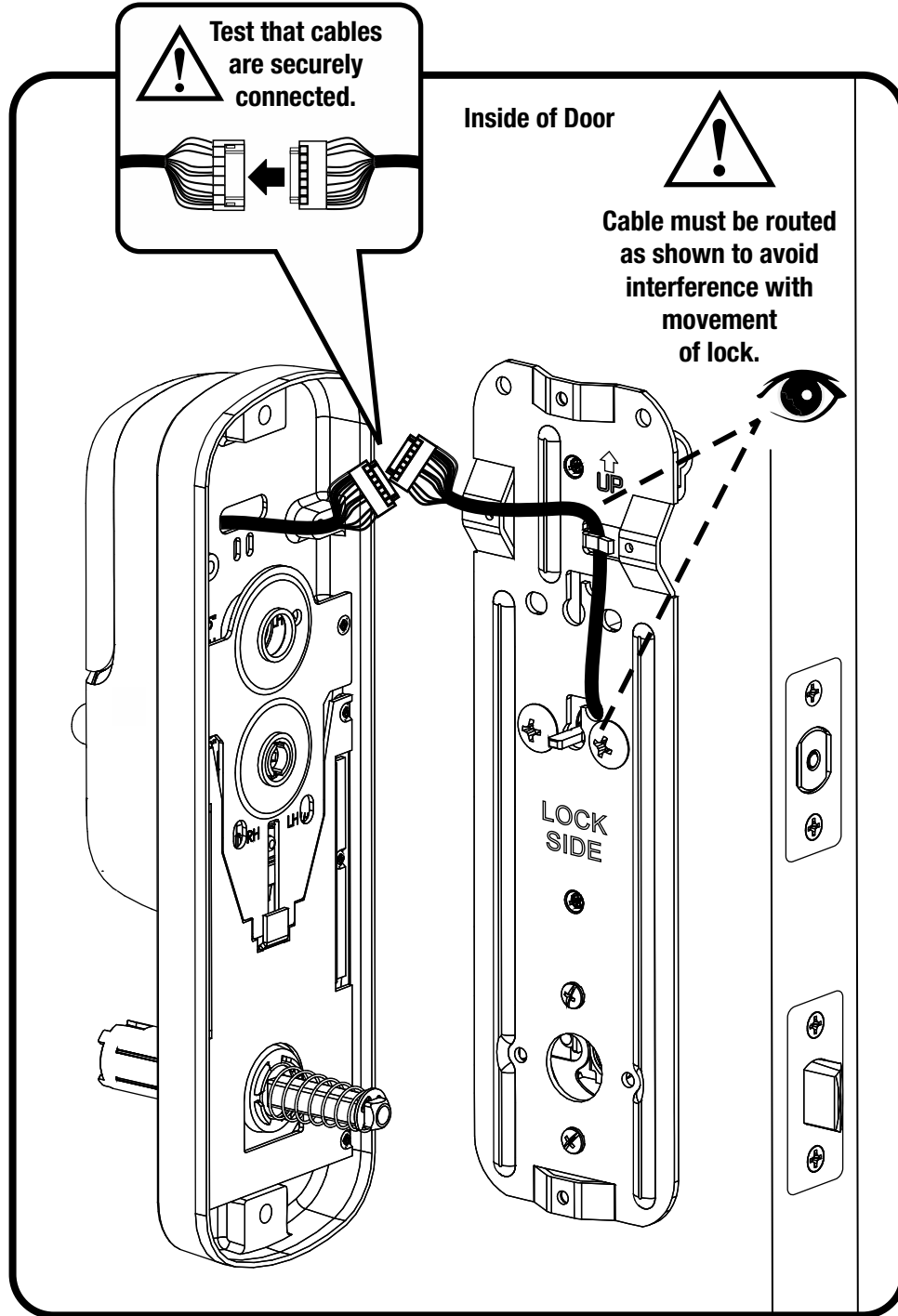


Testing Deadbolt & Latchbolt Operation



10

Attaching the Cable Assembly

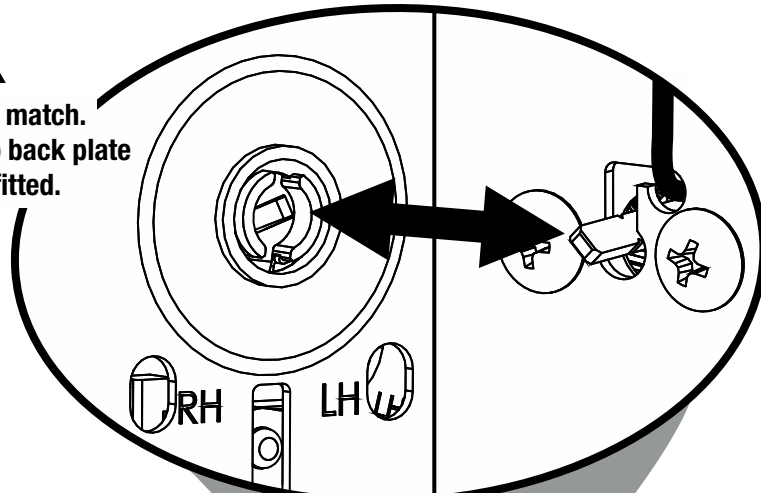


11

Installing Interior Lock



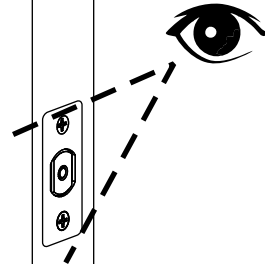
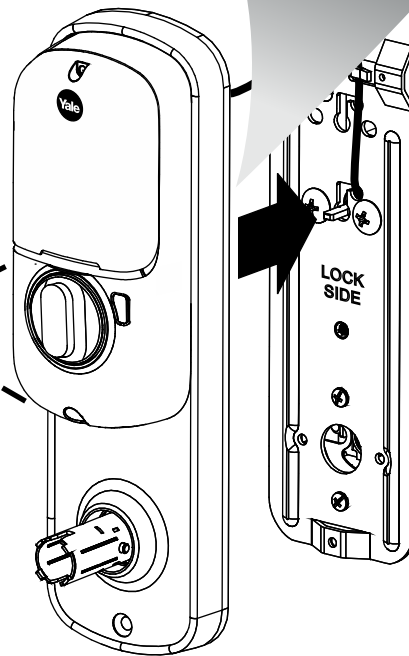
Orientation must match.
Do not fasten lock to back plate
until properly fitted.



Inside of Door



Turn
thumbturn
to adjust slot
orientation.



11

Installing Interior Lock continued



10-32 x 5/8" POHMS



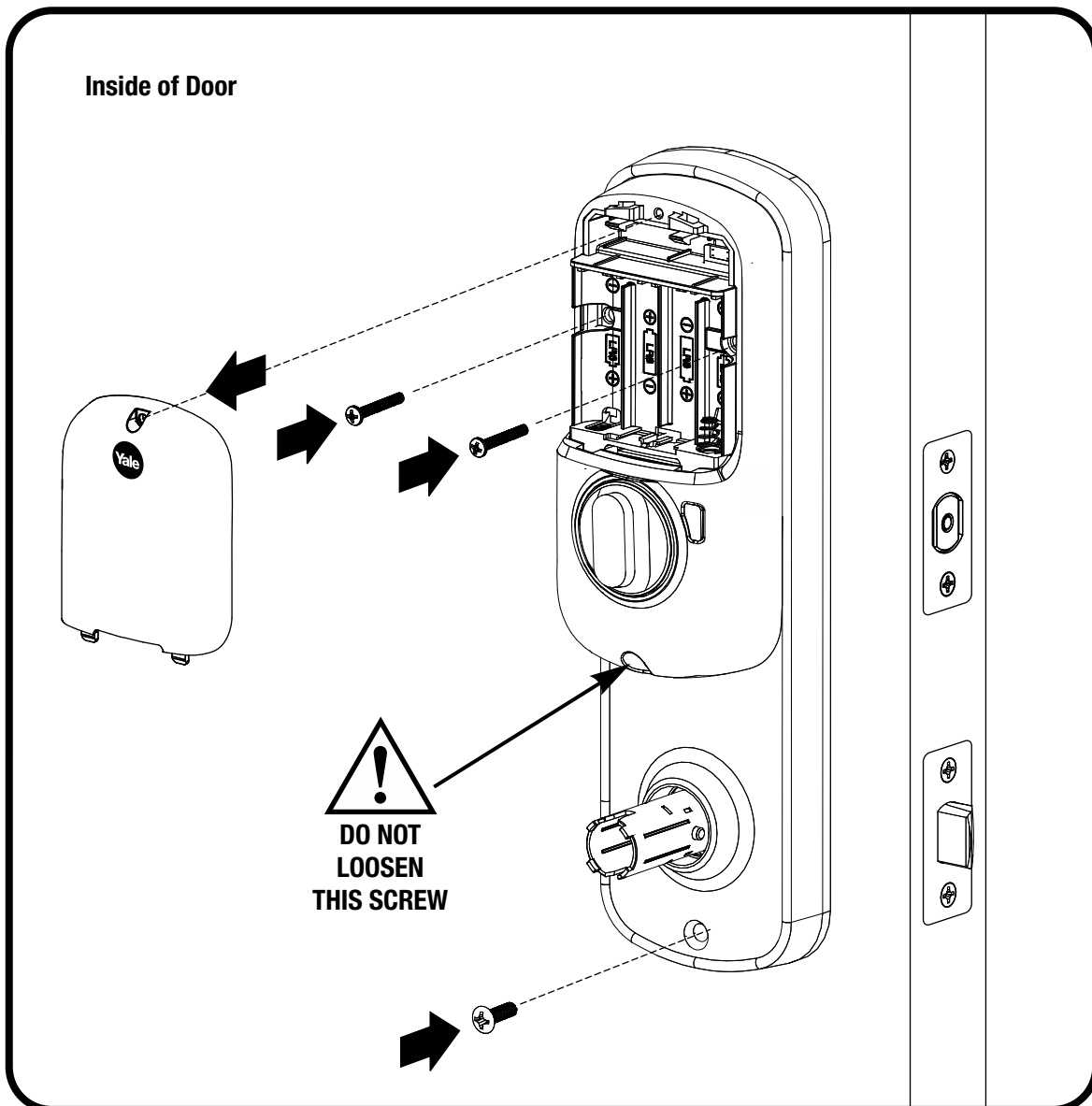
6-32 x 1" PPHMS



x1

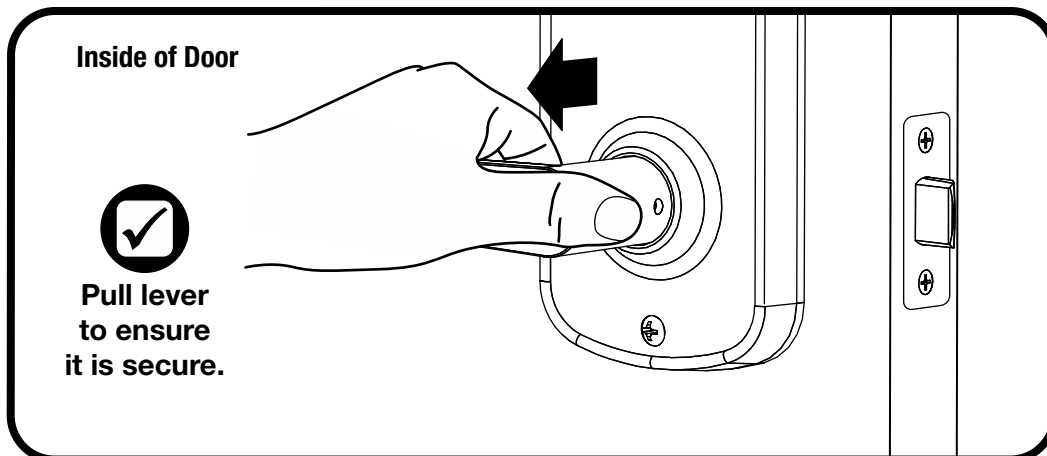
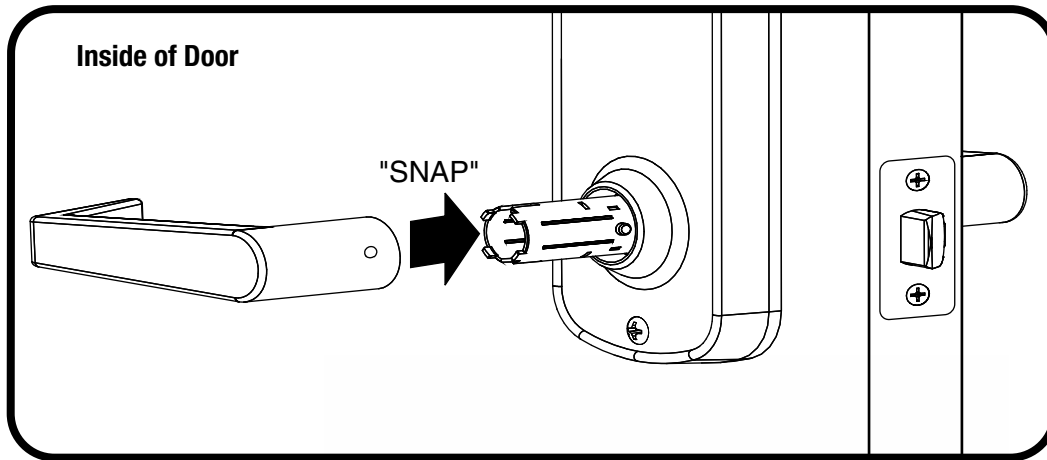


x2



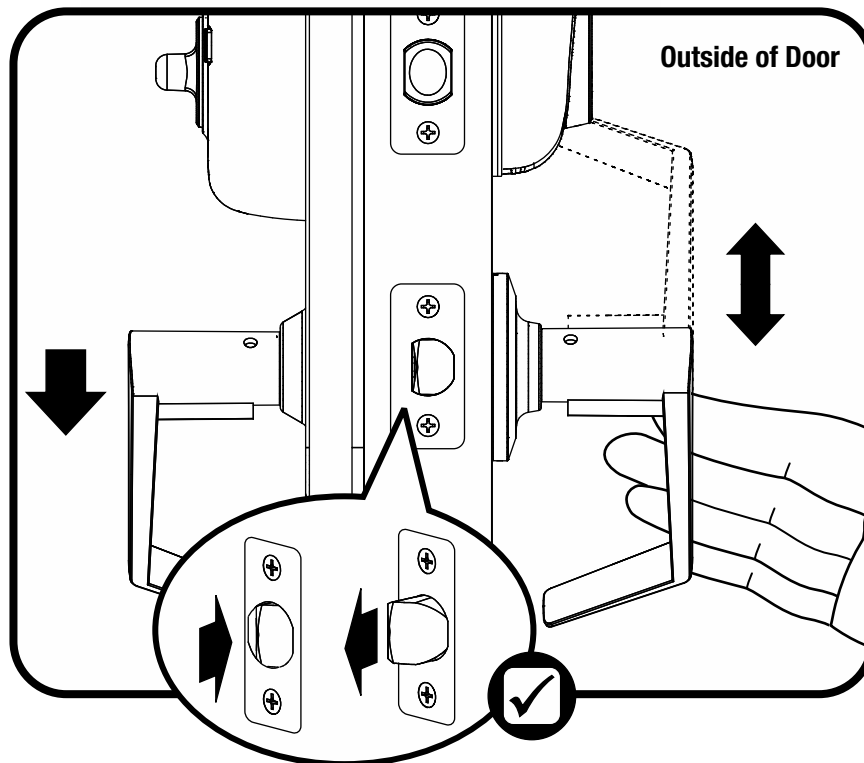
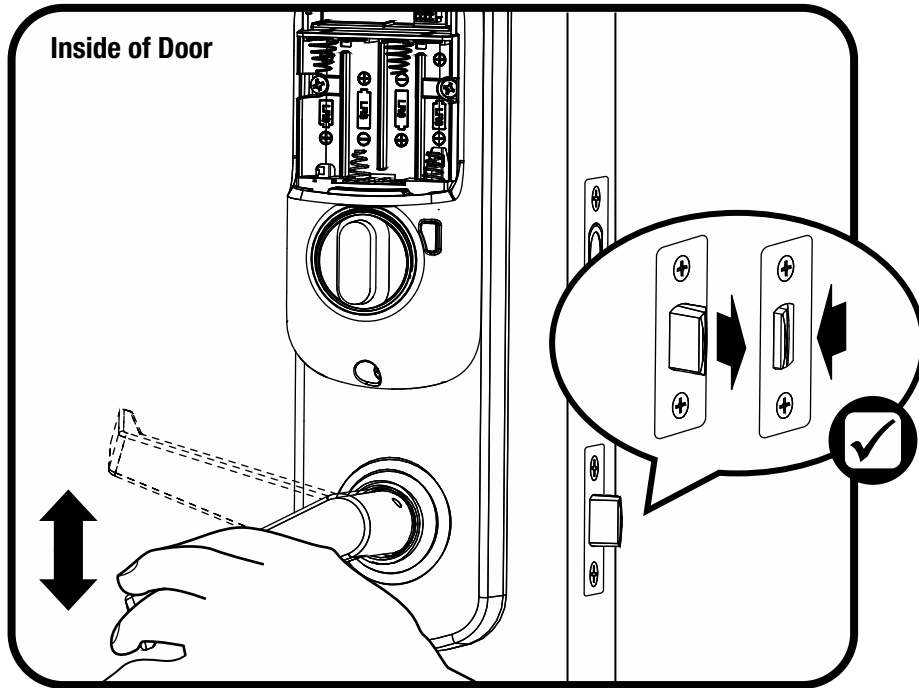
12

Installing Interior Lever



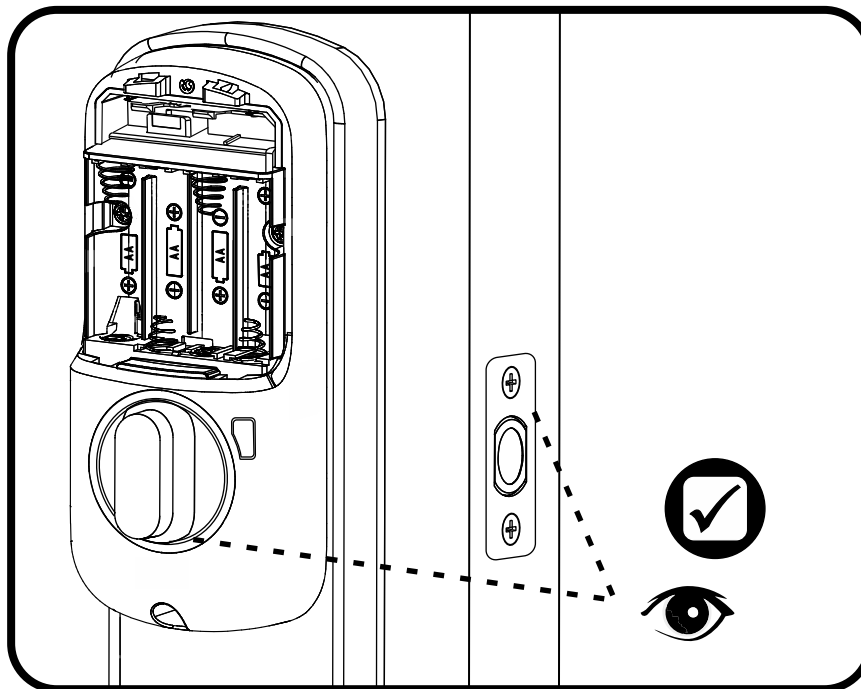
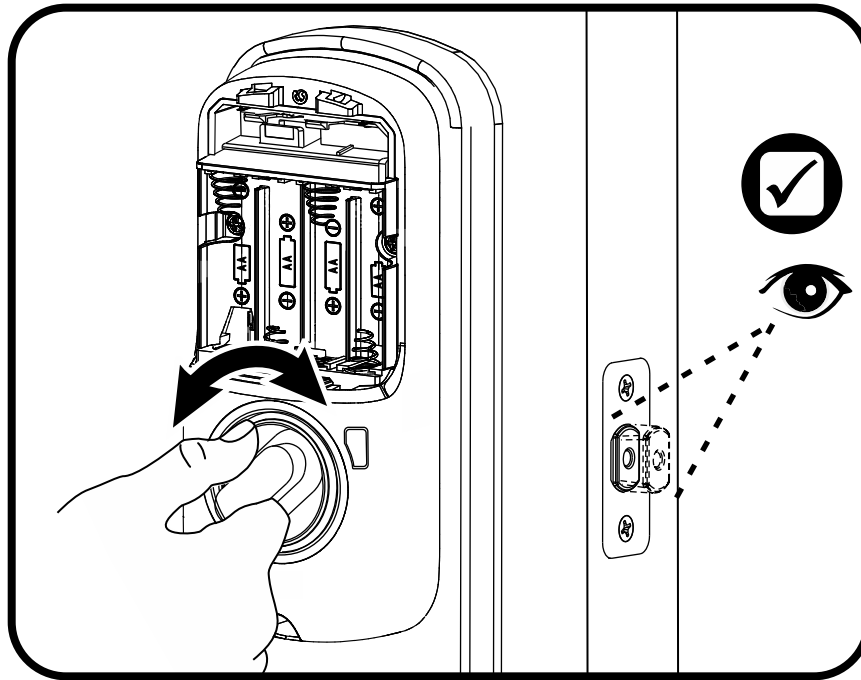


Testing Final Latchbolt Operation



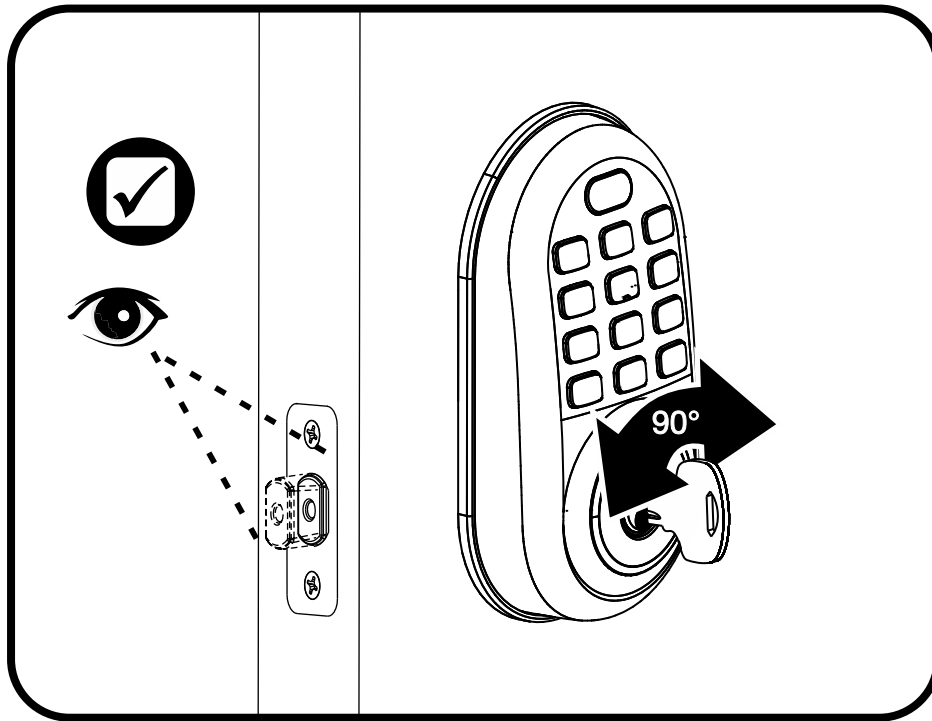


Testing Final Deadbolt Operation





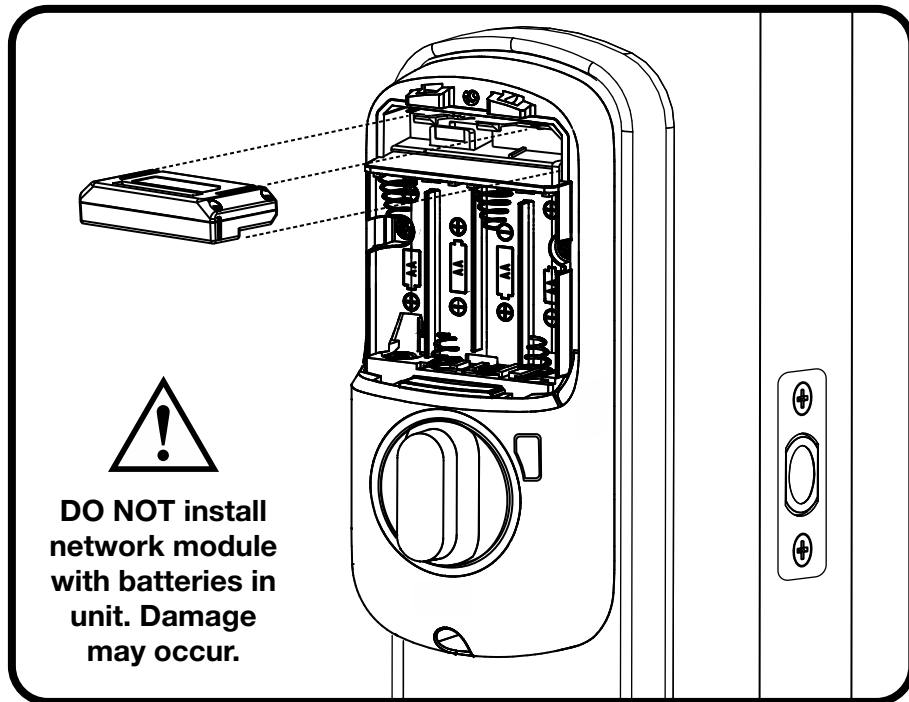
Testing Final Deadbolt Operation



If testing fails, go back to beginning of Step 11 and check installation.

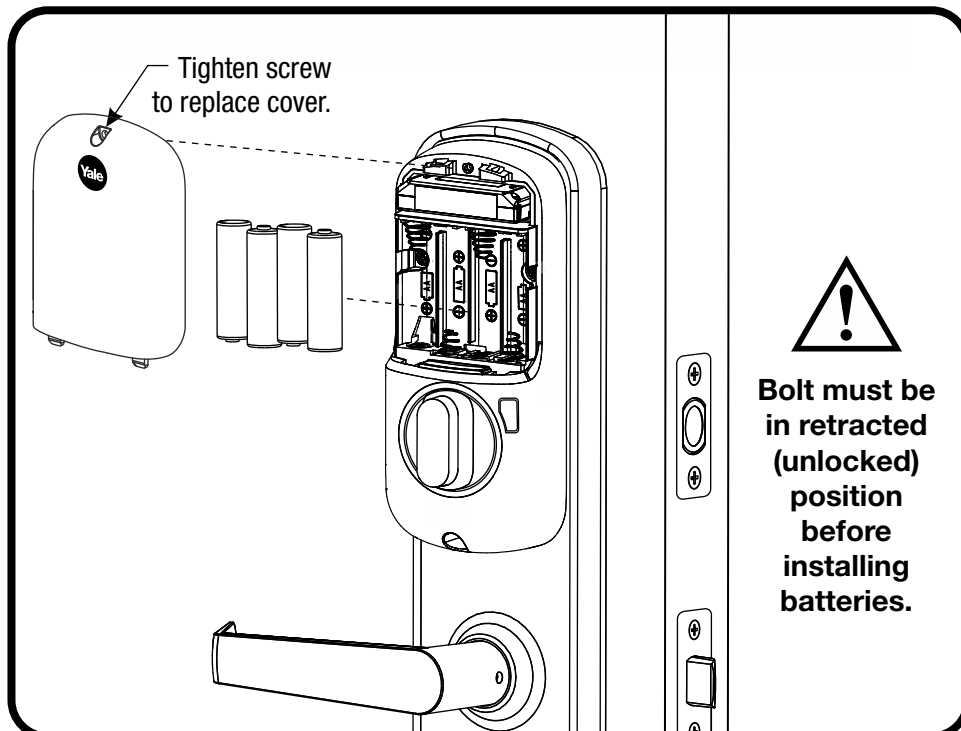
13

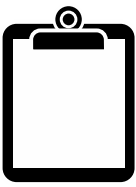
Installing Optional Network Module



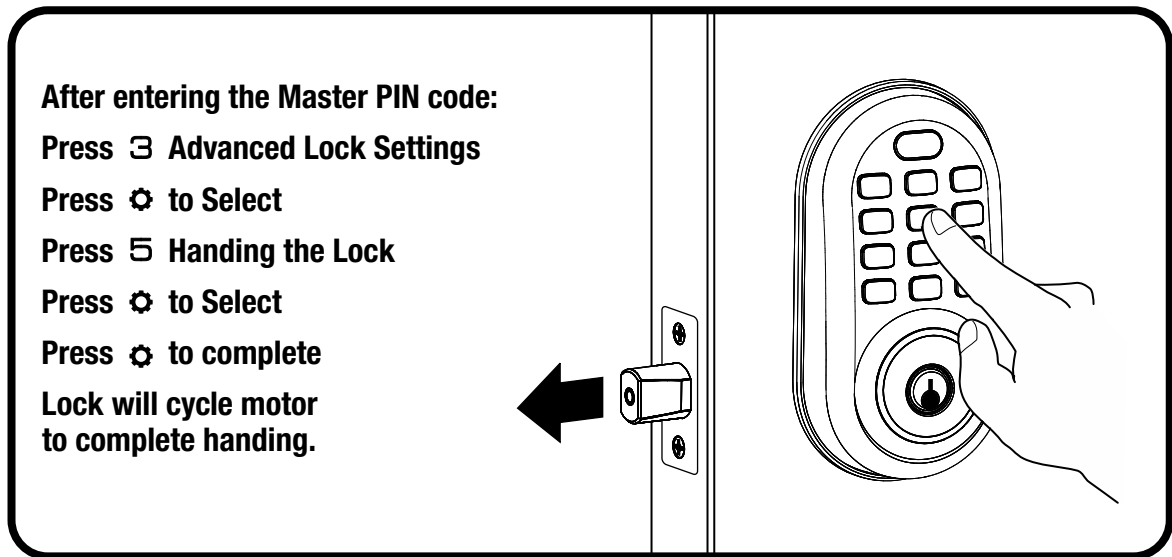
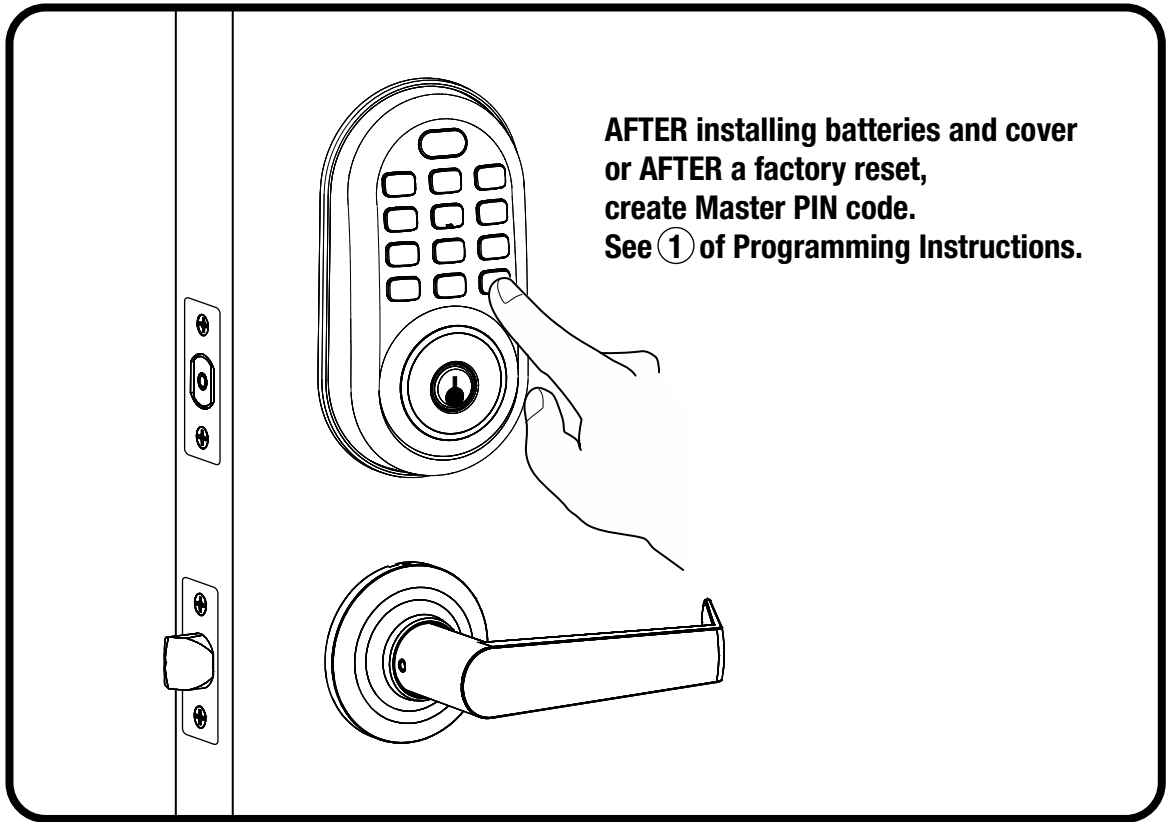
14

Installing Batteries & Cover





Handing the Lock



Congratulations, you've installed the
Yale® Assure Lock® Electronic Interconnected Push Button!
Continue with the Programming Instructions
to customize your product.

Hardware Troubleshooting

Cycle lock in both the locked and unlocked positions. If problems are found:

Bolt will not extend and motor is grinding

- a. Enter your Master PIN code.
- b. With the bolt retracted, press menu Option 3 for Advanced Lock Settings.
- c. Press Option 5 to rehand the lock.
- d. Test the operation; locking the door via the keypad.

Door is binding

- a. Check that door and frame are properly aligned and door is free swinging.
- b. Check hinges: They should not be loose or have excessive wear on knuckles.

Bolt will not deadlock

- a. Check for sufficient clearance of the bolt within the strike-side jamb.
Correct this by increasing the depth of the pocket for the bolt.
- b. Check for misalignment of bolt and/or strike which may be preventing bolt from properly entering the strike. With the door open, extend and retract the bolt; if it is smooth, check the strike alignment.

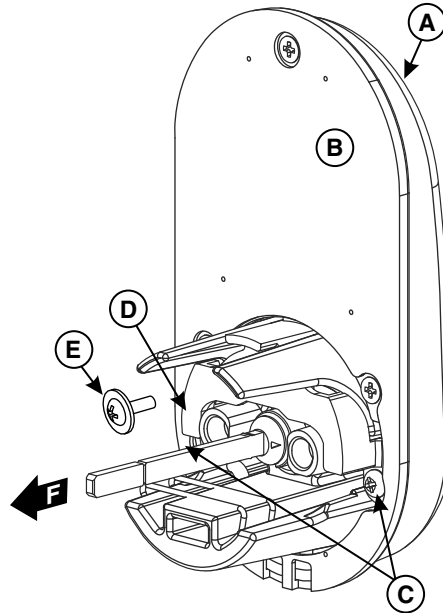
Bolt does not extend or retract smoothly

- a. Bolt and strike are misaligned, see above.
- b. Check the backset of door relative to adjustments already made to bolt.
- c. Verify proper door preparation and re-bore holes that are too small or misaligned.
- d. Verify keypad wire harness is routed properly (see Step 10).
- e. Verify bolt is installed with correct side up (see Step 6).

Keypad numerics are scrolling

Remove interior lock and check to ensure that the wire harness is routed properly (see Step 10).

Changing Lock: Replacing Cylinder



1. To remove cylinder:

- A. Remove keypad from door.
- B. Remove rubber gasket.
- C. Remove two screws holding plastic guide in place.
- D. Remove plastic guide.
- E. Remove screw with washer holding cylinder in place (visible after removing plastic guide).
- F. Remove cylinder housing by pulling cylinder tailpiece away from keypad.

2. To Install new cylinder:

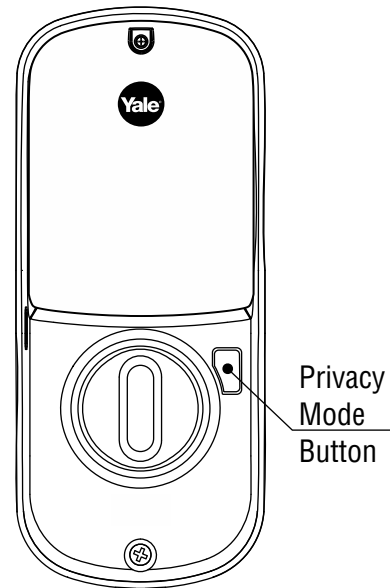
- A. Reverse previous steps for removing cylinder.

Programming Instructions



Keypad

Interior Lock

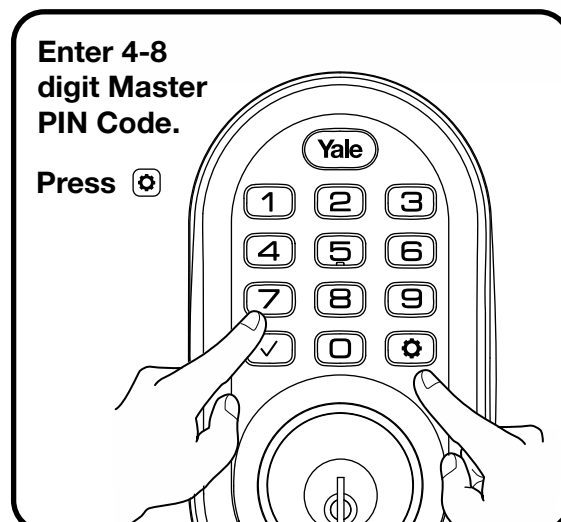
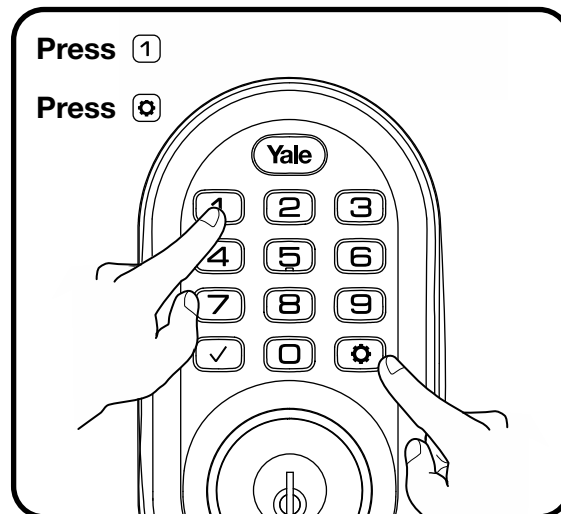
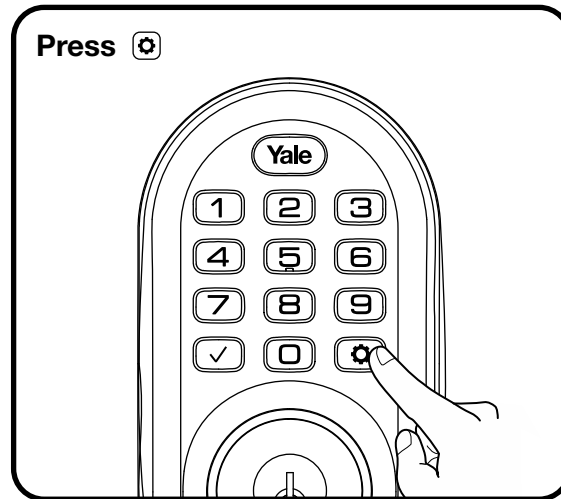


Master PIN Code must be created before any further programming.
Max User Codes = 250 with Z-Wave Plus or ZigBee network module
Max User Codes = 25 without network module or with iM1 network module
Max User Codes - 12 with Bluetooth

1

Creating Master PIN Code

Creating a Master PIN Code must be performed upon installation or after resetting the lock to factory default. Programming and use of lock is not possible until this step has been successfully completed.



2

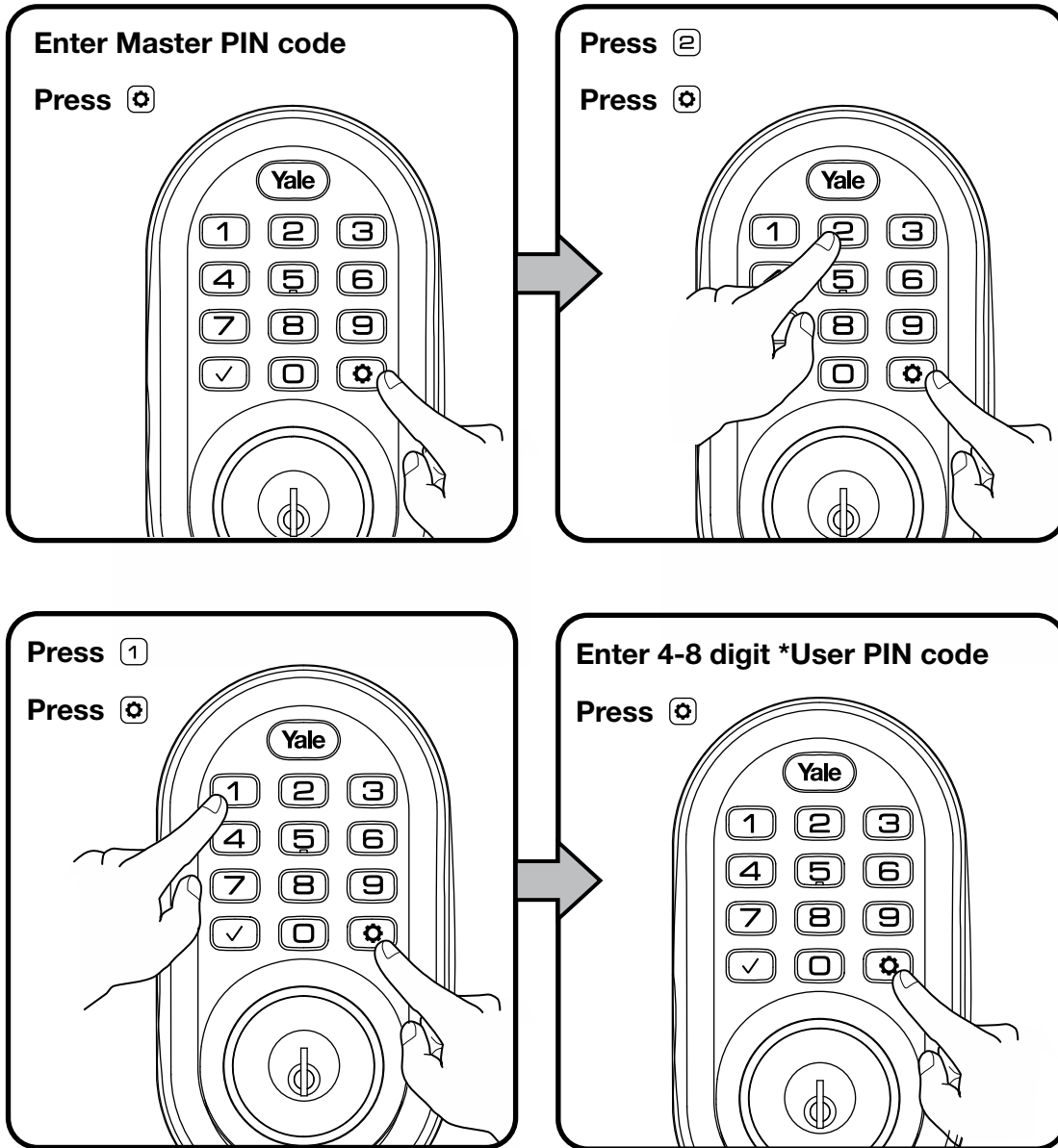
Creating User PIN Codes

Master PIN code must be created first.

*Max user codes = 250 with Z-Wave Plus or ZigBee network module

Max user codes = 25 without network module or with iM1 network module

Max user codes - 12 with Bluetooth



Resetting Lock to Factory Default

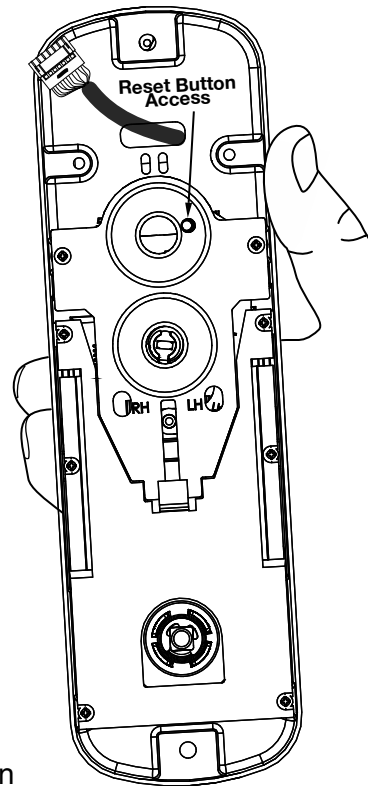
When resetting the lock, all user codes, including the Master PIN code*, are deleted. All programming features are reset to original default settings (see below).

1. Remove the battery cover and batteries.
2. Remove the interior lock to access the reset button hole. (See image at right.)
3. Re-insert 3 batteries and insert a small screwdriver into the hole; holding the reset button for 3 seconds.
4. While still holding the reset button, insert the 4th battery and hold the reset button for an additional 3 seconds.
5. Release the reset button.
6. Re-install the interior lock onto the door.

Upon reset, Master PIN Code creation is the only option available and must be performed prior to any other programming of the lock.

For best results, the lock should be installed on the door when resetting the lock to factory default. If the process was done and the lock was not installed on the door, review the Re-Handing instructions listed in Hardware Troubleshooting.

**Interior Lock
(4" Shown)**



Factory Settings

Settings	Factory Setting
Master PIN Code	Registration required*
Audio Mode	Disabled
Automatic Re-lock	Disabled
Inside Indicator Light	Disabled (Off)
One Touch Locking	Enabled
Privacy Button Setting	Disabled
Lockout Mode	Disabled
Wrong Code Entry Limit	5 Times
Shutdown Time	60 Seconds

*The Master PIN code must be registered prior to any other programming of the lock.

Definitions

All Code Lockout Mode: This feature is enabled by the Master code. When enabled, it restricts all user (except Master) PIN code access. When attempting to enter a code while the unit is in Lockout, the keypad flashes 8 times and the lock beeps 3 times as well.

Audio Mode: Choosing **Disable (3)** in Audio mode shuts off the code confirmation tone play-back for use in quiet areas. Audio mode is enabled or disabled through feature programming by the Master code.

Automatic Re-lock Time: After a successful unlock, the unit will re-lock automatically after duration selected in the **Advanced Lock Settings** (Main Menu selection #3).

Handing the Lock: Lock handing refers to which direction the bolt comes out of the door (right or left). If the lock was programmed off the door, the lock may need adjusting. Review the Re-Handing instructions listed in Hardware Troubleshooting.

Inside Indicator Light: Located on the interior lock. Shows active status (Locked) of lock and can be enabled or disabled in the **Advanced Lock Settings** (Main Menu selection #3).

Low Battery: When battery power is low, the Status Indicator flashes RED. If battery power is completely lost, use the cylinder key override.

Master PIN Code: The Master PIN code is used for programming and for feature settings. **It must be created prior to programming the lock.** The Master code will also operate (unlock/lock) the lock.

Network Module Setting: With the optional Network Module installed, this setting becomes available thru the Main Menu (7) and allows the lock to connect with a network controller.

One Touch Locking: When the latch is retracted, activating the keypad will extend the latch (during Automatic Re-lock duration or when Automatic Re-lock is disabled). When One-Touch Re-lock is **not** in use (**disabled**), any valid PIN code will re-lock the lock.

Privacy Mode: Privacy mode is disabled by default. Enable Privacy mode by pressing the privacy button for 4 seconds to put the lock in do-not-disturb mode (all pin codes are disabled).

Shutdown Time: The unit will shut down (flashing keypad) for sixty (60) seconds and not allow operation after the wrong code entry limit has been met.

Tamper Alert: Audible alarm sounds if attempting to forcibly remove outside lock from door.

User PIN Code: The user code operates the lock. The maximum number of user codes with Z-Wave Plus or Zigbee network module is 250; without network module or with iM1 network module, maximum is 25; with Bluetooth, maximum is 12.

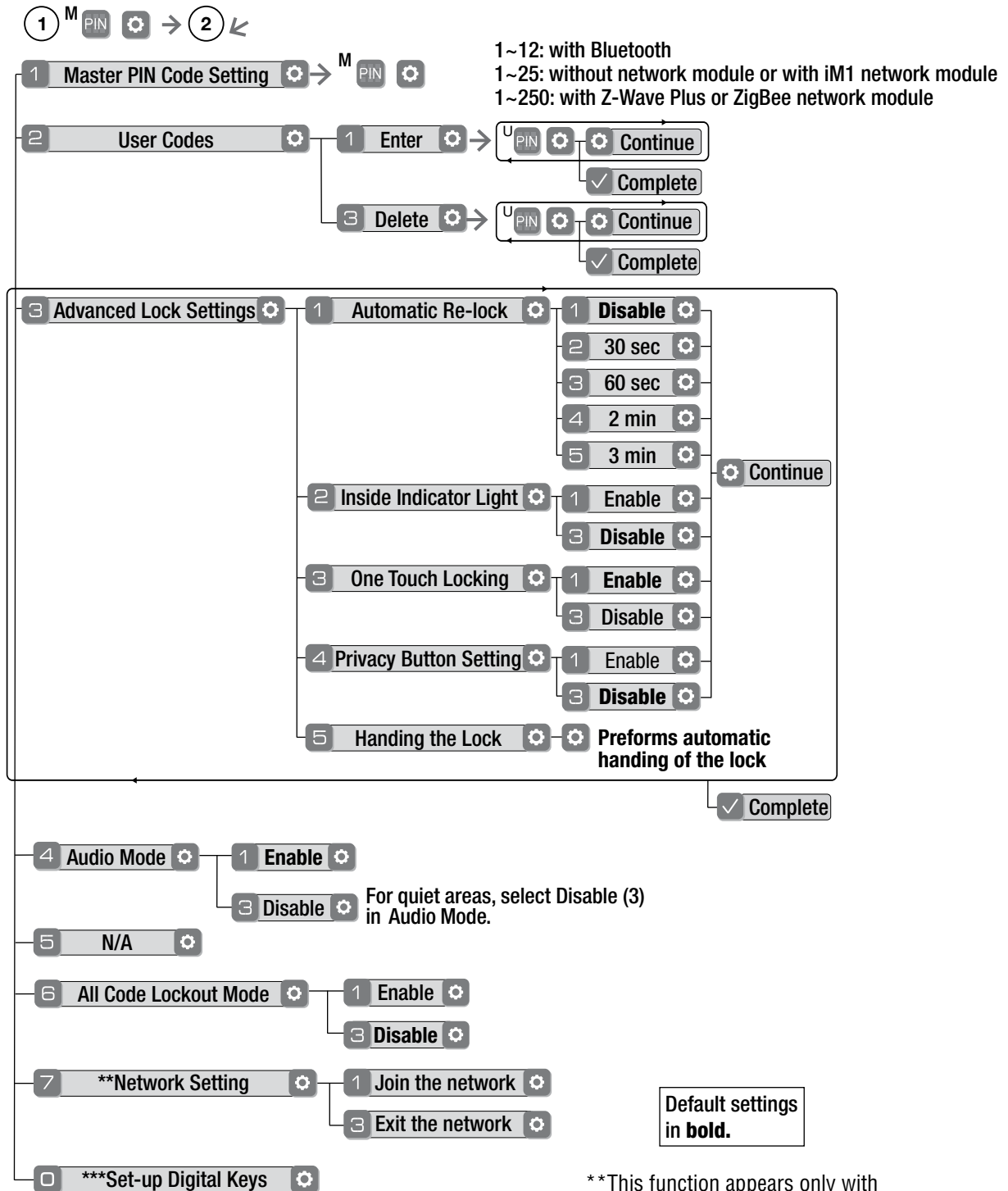
Wrong Code Entry Limit: After five (5) unsuccessful attempts at entering a valid PIN code, the unit will shut down and not allow operation for sixty (60) seconds.

Feature Programming Through Menu Mode Using Master PIN code*


1. Enter 4-8 digit master PIN code* followed by key.
2. Enter digit corresponding to the function to be performed followed by the key.

***The Master PIN code must be registered prior to any other programming of the lock.**

Note: After Master PIN code is entered, lock will automatically hand itself. For best results, lock should be installed on door during this process. If this process was done and lock was not installed on door, review the Re-Handing instructions listed in Hardware Troubleshooting.



Programming Troubleshooting

Symptom	Suggested Action
Lock does not respond – door is open and accessible.	<ul style="list-style-type: none"> • Press each keypad button for response when pressed. • Check batteries are installed and oriented correctly (polarity) in the battery case. • Check batteries are in good condition; replace batteries* if discharged. • Check to see if cable is fully connected and not pinched.
Lock does not respond – door is locked and inaccessible.	<ul style="list-style-type: none"> • Batteries may be completely discharged. • Use key to gain entry and replace batteries*.
Unit chimes to indicate code acceptance, but the door will not open.	<ul style="list-style-type: none"> • Check to see if there is another locking device on the door. • Check the door gaps for any foreign objects between door and frame. • Check that the cable is firmly connected to the PC board.
Unit operates to allow access, but will not automatically re-lock.	<ul style="list-style-type: none"> • Check to see if Auto Re-lock Mode is enabled. • If low battery indicator is lit (see below), change batteries*.
PIN codes will not register.	<ul style="list-style-type: none"> • PIN codes must consist of 4 to 8 digits to register. • The same PIN code cannot be used for multiple users. • Registration/management of PIN codes is set by the authority of the Master Code. • Contact the Master user. • User codes must be entered within 5 seconds or the process will have to be restarted. • Check mark <input type="checkbox"/> or gear  cannot be used as part of the PIN code.
Upon entering a PIN code and pressing the <input type="checkbox"/> key, the lock gives a series of beeps, flashes red & blue LEDs 7 times, and does not unlock.	<ul style="list-style-type: none"> • All Code Lockout Mode is enabled. • Only the Master can enable/disable All Code Lockout Mode. • Contact the Master user.
Upon entering a PIN code and pressing the <input type="checkbox"/> key, there are different tones.	<ul style="list-style-type: none"> • Check to see if the lock is set to All Code Lockout Mode. • Setting/managing All Code Lockout Mode is done through Master Code only. Contact the Master user.
The unit operates, but it makes no sound.	<ul style="list-style-type: none"> • Enable Audio Mode.
The unit displays intermittent RED flashes.	<ul style="list-style-type: none"> • This is the Low Battery indicator alerting that it is time to replace the batteries. Replace all four (4) batteries* with new AA Alkaline batteries.
Upon entering a PIN code and pressing the <input type="checkbox"/> key, the unit responds with a series of beeps and the keypad flashes three times.	<ul style="list-style-type: none"> • The digits entered were incorrect or incomplete. Re-enter the correct code followed by the check mark <input type="checkbox"/> key.

* When batteries are replaced, Network locks have a real time clock that will be set through the User Interface (UI); it is recommended to verify correct date and time particularly those locks operating under Daylight Saving Time (DST).

FCC:*Class B Equipment*

This equipment has been tested and found to comply with the limits for a Class B digital device, pursuant to Part 15 of the FCC Rules. These limits are designed to provide reasonable protection against harmful interference in a residential installation. This equipment generates, uses, and can radiate radio frequency energy and, if not installed and used in accordance with the instructions, may cause harmful interference to radio communications. However, there is no guarantee that interference will not occur in a particular installation. If this equipment does cause harmful interference to radio or television reception, which can be determined by turning the equipment off and on, the user is encouraged to try to correct the interference by one or more of the following measures:

- Reorient or relocate the receiving antenna.
- Increase the separation between the equipment and receiver.
- Connect the equipment into an outlet on a circuit different from that to which the receiver is connected.
- Consult the dealer or an experienced radio/TV technician for help.

Warning: Changes or modifications to this device, not expressly approved by **Yale Security Inc.** could void the user's authority to operate the equipment.

Industry Canada:

This Class A digital apparatus meets all requirements of the Canadian Interference Causing Equipment Regulations.

Cet appareillage numérique de la classe A répond à toutes les exigences de l'interférence canadienne causant des règlements d'équipement.

Yale Locks & Hardware

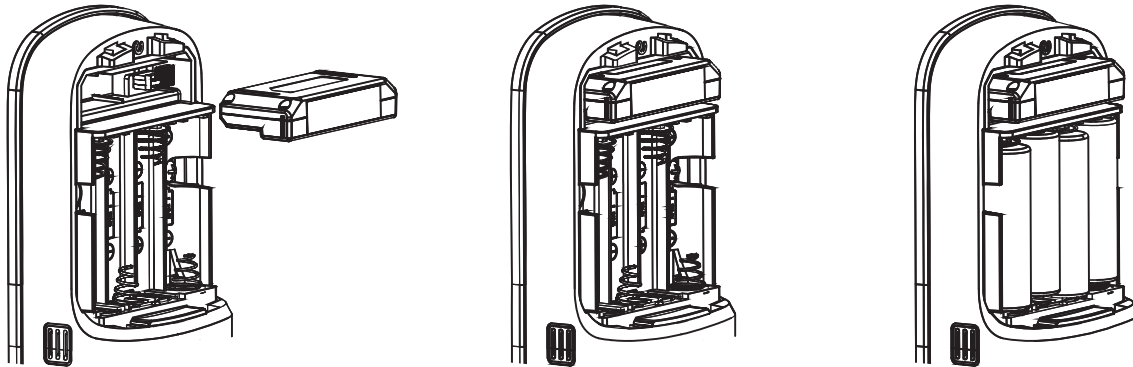
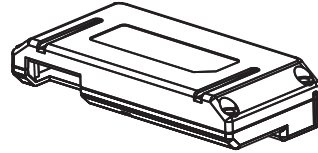
Product Support Tel 1-855-213-5841 • www.yalehome.com

Yale®, Yale Real Living® and Assure Lock® are registered trademarks of Assa Abloy Residential Group. Other products' brand names may be trademarks or registered trademarks of their respective owners and are mentioned for reference purposes only. © Copyright 2018. All rights reserved. Reproduction in whole or in part without the express written permission of Assa Abloy Residential Group is prohibited.

Installing the Z-Wave® Plus Module

IMPORTANT: the batteries must be removed prior to removing and/or inserting the network module:






- Remove battery cover and batteries.
- Remove and/or insert Network Module.
- Reinstall batteries and battery cover.








Adding / Removing the Network Module:

This device is a security enabled Z-Wave Plus product that is able to use encrypted Z-Wave Plus messages to communicate to other security enabled Z-Wave Plus products. This device must be used in conjunction with a Security Enabled Z-Wave Controller in order to fully utilize all implemented functions. This product can be operated in any Z-Wave network with other Z-Wave certified devices from other manufacturers. All non-battery operated nodes within the network will act as repeaters regardless of vendor to increase reliability of the network.

To Add the Module (Inclusion Mode):

- Enter the 4-8 digit Master PIN code followed by the  key.
- Press the  key followed by the  key.
- Press the  key followed by the  key.

To Remove the Module (Exclusion Mode):

- Enter the 4-8 digit Master PIN code followed by the  key.
- Press the  key followed by the  key.
- Press the  key followed by the  key.

Factory Reset - If No Controller:

- See the Lock Installation Manual
- Please use this procedure only when the network primary controller is missing or otherwise inoperable.

For specific Z-Wave Plus association and parameter information for your lock, please visit YaleResidential.com/ZwavePlus



Warning: Changes or modifications to this device, not expressly approved by Yale Security Inc. could void the user's authority to operate the equipment.

FCC:

Contain FCC ID: U4A-YRHCPZWOFM

Model: YRMZW2-US

This equipment has been tested and found to comply with the limits for a Class B digital device, pursuant to Part 15 of the FCC Rules. These limits are designed to provide reasonable protection against harmful interference in a residential installation. This equipment generates, uses, and can radiate radio frequency energy and, if not installed and used in accordance with the instructions, may cause harmful interference to radio communications. However, there is no guarantee that interference will not occur in a particular installation. If this equipment does cause harmful interference to radio or television reception, which can be determined by turning the equipment off and on, the user is encouraged to try to correct the interference by one or more of the following measures:

- Reorient or relocate the receiving antenna.
- Increase the separation between the equipment and receiver.
- Connect the equipment into an outlet on a circuit different from that to which the receiver is connected.
- Consult the dealer or an experienced radio/TV technician for help.

THIS DEVICE COMPLIES WITH PART 15 OF THE FCC RULES. OPERATION IS SUBJECT TO THE FOLLOWING TWO CONDITIONS.

(1) THIS DEVICE MAY NOT CAUSE HARMFUL INTERFERENCE, AND (2) THIS DEVICE MUST ACCEPT ANY INTERFERENCE RECEIVED, INCLUDING INTERFERENCE THAT MAY CAUSE UNDESIRE OPERATION.

Industry Canada:

Contain IC: 6982A-YRHCPZWOFM

Model: YRMZW2-US

Section 7.1.2 of RSS-GEN Under Industry Canada regulations, this radio transmitter may only operate using an antenna of a type and maximum (or lesser) gain approved for the transmitter by Industry Canada. To reduce potential radio interference to other users, the antenna type

and its gain should be so chosen that the equivalent isotropically radiated power (e.i.r.p.) is not more than that necessary for successful communication.

En vertu des règlements d'Industrie Canada, cet émetteur radio ne peut fonctionner avec une antenne d'un type et un maximum (ou moins) approuvés pour gagner de l'émetteur par Industrie Canada. Pour réduire le risque d'interférence aux autres utilisateurs, le type d'antenne et son gain doivent être choisies de façon que la puissance isotrope rayonnée équivalente (PIRE) ne dépasse pas ce qui est nécessaire pour une communication réussie.

Section 7.1.3 of RSS-GEN This Device complies with Industry Canada License-exempt RSS standard(s).

Operation is subject to the following two conditions: 1) this device may not cause interference, and 2) this device must accept any interference, including interference that may cause undesired operation of the device.

Cet appareil est conforme avec Industrie Canada RSS standard exemptes de licence(s). Son fonctionnement est soumis aux deux conditions suivantes: 1) ce dispositif ne peut causer des interférences, et 2) cet appareil doit accepter toute interférence, y compris les interférences qui peuvent causer un mauvais fonctionnement du dispositif.

This radio transmitter 6982A-YRHCPZWOFM has been approved by Industry Canada to operate with the antenna types listed below with the maximum permissible gain indicated. Antenna types not included in this list, having a gain greater than the maximum gain indicated for that type, are strictly prohibited for use with this device.

Le présent émetteur radio 6982A-YRHCPZWOFM a été approuvé par Industrie Canada pour fonctionner avec les types d'antenne énumérés ci-dessous et ayant un gain admissible maximal. Les types d'antenne non inclus dans cette liste, et dont le gain est supérieur au gain maximal indiqué, sont strictement interdits pour l'exploitation de l'émetteur.

CAN ICES-3B/NMB-3B

Yale Locks & Hardware

Product Support Tel 800.810.WIRE (9473) • www.yalelocks.com

Yale Locks & Hardware is a division of Yale Security Inc., an ASSA ABLOY Group company.

Copyright © 2016, Yale Security Inc., an ASSA ABLOY Group company.

All rights reserved. Reproduction in whole or in part without the express written permission of Yale Security Inc. is prohibited.

YALE, with its unique global reach and range of products, is the world's favorite lock
– the preferred solution for securing your home, family and personal belongings.

ASSA ABLOY is the global leader in door opening solutions,
dedicated to satisfying end-user needs for security, safety and convenience.