



Installation & Operation Manual

Model : SY-IOT101

Z-Wave Curtain Control Module, Screw Terminal

Introduction

Thanks for choosing the somfy's curtain control module of the home automation device. This module is a Z-Wave™ enabled device (interoperable, two-way RF mesh networking technology) and is fully compatible with any Z-Wave™ enabled network and its security framework.

Z-Wave™ enabled devices displaying the Z-Wave™ logo can also be used with it regardless of the manufacturer, and ours can also be used in other manufacturer's Z-Wave™ enabled networks. Users easily control the curtain to open and close by sending Z-Wave™ signal from Z-Wave™ Interface Controller. This module will send open/close signal to the appliance that attached to this module by receiving Z-Wave™ signal from controller or manually switch. Our special design the curtain not only can be opened and closed but also can be stopped under the Multilevel Switch command on the controller. When the device is secure included into Z-Wave network, above communication will be encrypted. This module also acts as repeater.

Product Description and Specification

For Indoor use only

Specification:

Protocol: Z-Wave™ ZM5101
Frequency Range:
920~923MHz (SY-IOT101)
Operating Range: Up to 100 feet line of sight
Operating Temp.: -10°C~60°C (-14°F ~140°F)
Operating Voltage: 100 ~ 230V
Maximum Load: 1100W (110V) / 2200W (220V)

Package Content:

1pc Curtain Control Module
1pc Installation & Operation Manual

Z-Wave™ Command Classes:

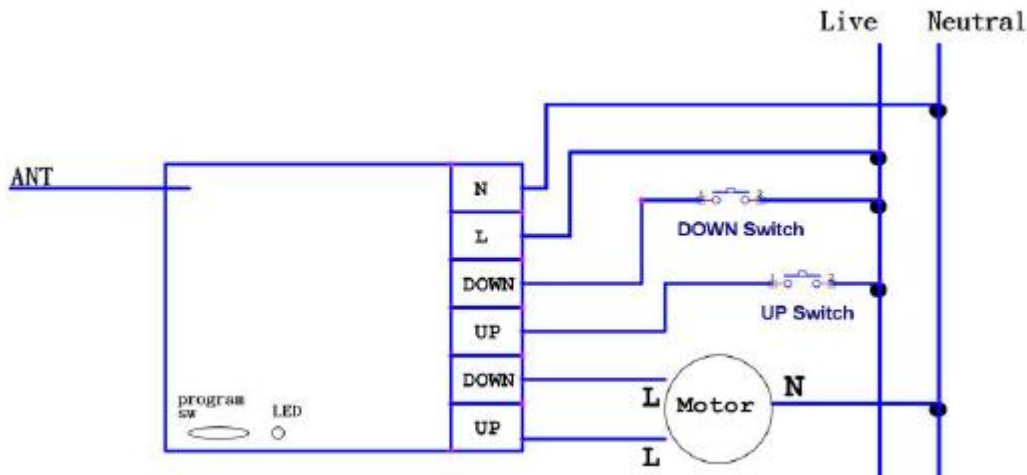
COMMAND_CLASS_ASSOCIATION_GRP_INFO
COMMAND_CLASS_ASSOCIATION_V2
COMMAND_CLASS_DEVICE_RESET_LOCALLY
COMMAND_CLASS_FIRMWARE_UPDATE_MD_V2
COMMAND_CLASS_MANUFACTURER_SPECIFIC_V1
COMMAND_CLASS_POWERLEVEL
COMMAND_CLASS_BASIC
COMMAND_CLASS_SECURITY
COMMAND_CLASS_SWITCH_BINARY
COMMAND_CLASS_SWITCH_MULTILEVEL_V1
COMMAND_CLASS_VERSION_V2
COMMAND_CLASS_ZWAVEPLUS_INFO

Installation

Notice: If you are installing the entire Z-Wave™ system for the first time, please refer to the installation guide of Z-Wave™ Interface Controller before installing SY-IOT101 Curtain Module.

1. Connect the following wires with curtain's manual switch or switch's signal. User can skip switch if it is not necessary.

Picture



2. LED Status:

Indicating the program switch operation.

When system is power up or is operated normally, LED is turned off.

Please see the inclusion/exclusion/Local Reset operation.

3. For **"Inclusion"** in (adding to) a network: Put the Z-Wave™ Interface Controller into "inclusion" mode, and following its instruction to add the SY-IOT101 to your controller. To get in the "inclusion" mode.

- Check if SY-IOT101 module is in exclusion mode.
- Press the program switch for above 5 second, then, the LED is turned on.
- Release from the program switch.
- Then, SY-IOT101 module will try inclusion.
- If inclusion is succeeded, LED is blinked 3 times.
- If inclusion is failed, LED is turn off.

4. For **"Exclusion"** removing from the network: Put the Z-Wave™ Interface Controller into "exclusion" mode, and following its instruction to remove the SY-IOT101 to your controller. To get in the "exclusion" mode.

- Check if SY-IOT101 module is in exclusion mode
- Press the program switch for above 5 second, then the LED is turned on.
- Release from the program switch.
- Then, SY-IOT101 module will try exclusion.
- If exclusion is succeeded, LED is blinked 3 times.
- If exclusion is failed, LED is turn off.

5. Local Reset (Factory Default Reset)

- Press the program switch for above 10 second, then the LED is blinked until program switch is released.
- Release from the program switch.
- Then, SY-IOT101 module will try local reset.
- If local reset is succeeded, LED is blinked 5 times.
- After blinking LED, SY-IOT101 will send the "Device Reset Locally Notification" command and reset to the factory default.
- If local reset is failed, LED is turn off.

*** Please use this procedure only when the network primary controller is missing or otherwise inoperable.**

6. **Device Learn Mode** : This mode is for factory default or service mode (curtain or blind mode), **not used by user.**

- * Entering this learn mode is some difficult, because this mode is only for factory or service mode.
- Put curtain or blind at close position first with remote or electrical switch.
- Press the program switch for 300(ms) and release it after 900(ms) as following.
 - . When press & release the program switch at first time, LED will be blink one time.
 - . When press & release the program switch at second time, LED will be blink two times.

. When press & release the program switch at third time, LED will be blink three times

- After LED blink three times, module will try device learn.
- Open the curtain or blind. Then, close the curtain or blind.
- This mode is to distinguish the device (curtain or blind) and measure the total distance between up and down in case of blind device.

7. For **“Manual Control Mode”**

- Press and hold Up Switch : UP
- Press and hold Down Switch: Down
- Release Up & Down Switch: Stop

8. For **“Basic (Command Class)”**: Mapping to the Multilevel Switch Control for controlling the curtain’s (or blind’s) position.

	Basic
UP / Down	Basic Set (0x00 ~ 0x63)

9. For **“Binary Switch Control”**.

	BINARY SWITCH CONTROL
UP	Binary Switch Set (0xFF)
DOWN	Binary Switch Set (0x00)

10. For **“Multilevel Switch Control”**

	MULTILEVEL SWITCH CONTROL
UP	Multilevel Switch Set(0x63) or Switch Multilevel Start Level Change (UP)
DOWN	Multilevel Switch Set (0x00) or Switch Multilevel Start Level Change (DOWN)
STOP	Switch Multilevel Stop Level Change or Switch Multilevel Start Level Change (No UP/DOWN).
SPECIFIC POSITION	Multilevel Switch Set (0x01 ~ 0x62) (The blinds’ position could be specific assigned.) This function does not support in case of curtain.

11.For **“Association”**: Support one Group(Lifeline) and 5 association in group.

Group ID	Maximum Nodes	Description
1	5	Z-Wave Plus Lifeline

12. For **“Power On Curtain Address”**: The curtain will address to the top position.

13. Support OTA Firmware update from controller. Please refer to your controller manual. We recommend to exclusive the device & include again before use the device.

14. Security (S0) enabled Z-Wave controller must be used to fully utilize the product.

15. Support Repeater Function.

This product can be operated in any Z-Wave network with other Z-Wave certified devices from other manufacturers. All non-battery operated nodes including this product within the network will act as repeaters regardless of vendor to increase reliability of the network.

Operation

Close or open the curtain that attached to SY-IOT101by Z-Wave™Interface Controller, or manually press the program switch on the curtain.

Limited Warranty

Somfy Guarantees that every Curtain Control Modules free from physical defects in material and workmanship under normal usage for one year from the date of purchase. If the product proves defective during this one-year warranty period, Somfy will replace it free of charge. Somfy does not issue any refunds. This warranty is extended to the original end user purchase only and is not transferable. This warranty does not apply to: (1) damage to units caused by accident, dropping or abuse in handling, or any negligent usage; (2) units which have been repaired, taken apart, or modified by an unauthorized personnel; (3) units not used in accordance with instruction; (4) damages exceeding the cost of the product; (5) transit damage, initial installation costs, removal cost, or reinstallation cost.

- Product

- Product reference

