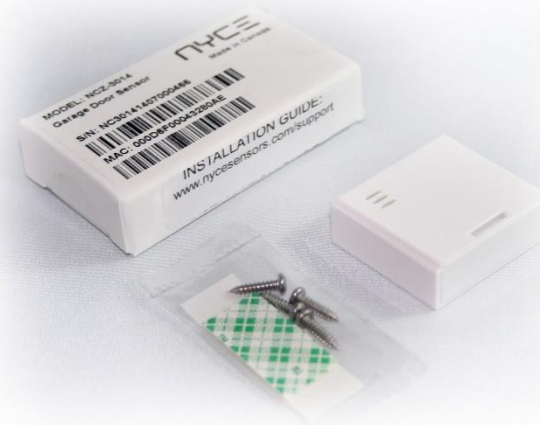
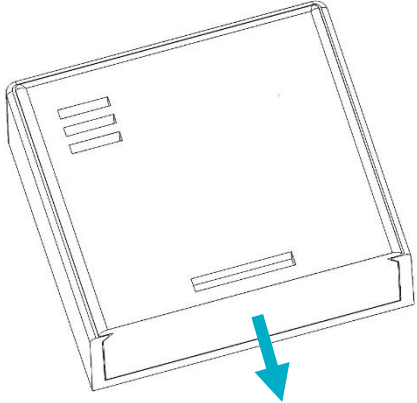


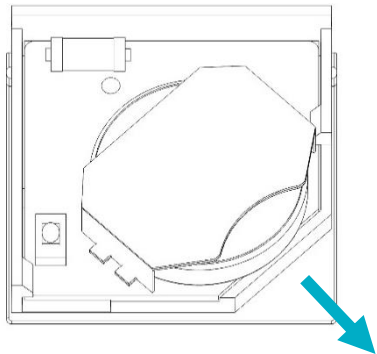
GARAGE DOOR (TILT) SENSOR INSTALLATION GUIDE



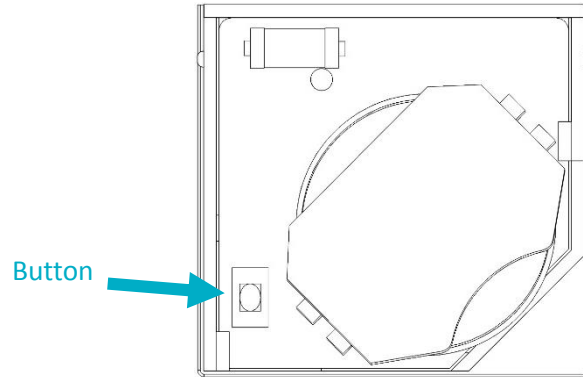
STEP 1: INSTALL BATTERY



Slide open the Garage Door (Tilt) Sensor's top housing. Pull the plastic tab from the CR2032 battery in the housing top as shown below.



STEP 2: JOIN THE NETWORK



Button

USERS

Refer to the instructions on your system's computer software, web portal or smart phone application for the proper method to join and configure the Garage Door (Tilt) Sensor. The button may be pressed with the end of a paper clip or a pencil. Do not use a sharp object like a tack or pin.

ECOSYSTEM DEVELOPERS

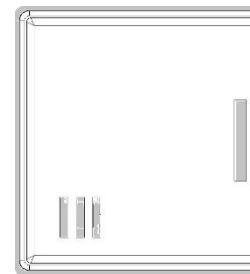
Contact NYCE for our "ZigBee Device Messaging Specification" document with details on how to integrate the Garage Door (Tilt) Sensor and other NYCE products into your ZigBee compliant network.

STEP 3: PROPER DEVICE ORIENTATION

Mount the Garage Door (Tilt) Sensor on a horizontal pane of your garage door. The Sensor should be mounted on the top pane (fully closed) or bottom pane (fully open), depending on the desired operation. A pair of Sensors can be used on both bottom and top panes for full garage door reporting, if desired.

Ensure that the Garage Door (Tilt) Sensor is oriented with the bar symbol vertical, parallel to the edge of the garage door, as shown in the diagram below on the left.

CORRECT ALIGNMENT



Garage Door Sensor

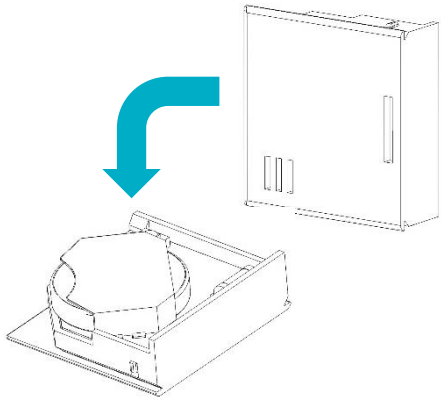
Right edge of Garage Door

INCORRECT ALIGNMENT



Right edge of Garage Door

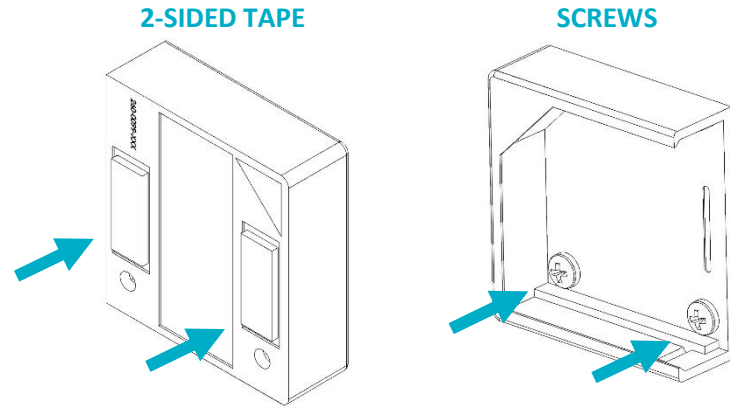
STEP 4: TEST THE SENSOR



Test the Garage Door (Tilt) Sensor from the desired location before permanently installing it by flipping it forward as shown above, this is the same action as the garage door opening. Check that the Garage Door (Tilt) Sensor is reporting either a Closed or Open message from both orientations.

STEP 5: INSTALL THE SENSOR HOUSING

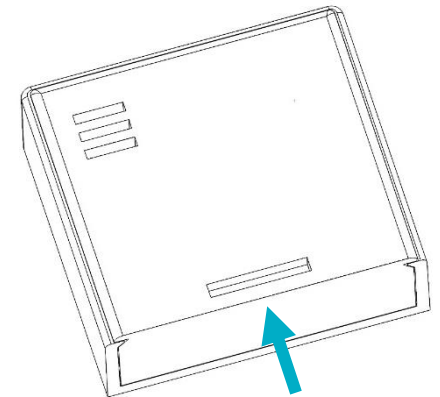
Using the methods shown below, install the Garage Door (Tilt) Sensor bottom housing on a clean surface.



Notes: Installation on metal surfaces can reduce transmission range. Ensure that the device is installed in a dry location away from running water, excessive moisture and rain.



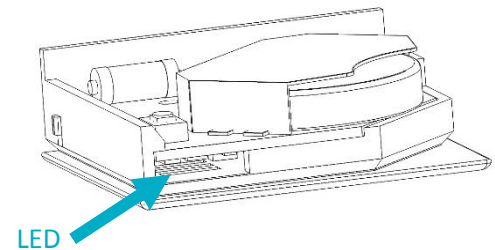
STEP 6: INSTALL THE SENSOR



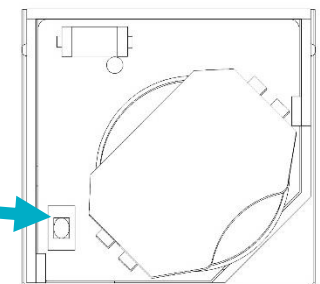
Once you have installed the bottom housing and confirmed the device is communicating, insert the Garage Door (Tilt) Sensor's top housing as shown above

PRODUCT FUNCTION AND LED INDICATORS

BUTTON	LED	ACTION	LED	DESCRIPTION
2 TIMES	●●	NETWORK STATUS	●●●● ●●●● ●●●●	JOINED NOT JOINED RE-JOIN IN PROCESS
4 TIMES	●●●●	NETWORK JOIN	●●●● ●●●● ●●●● ●●●● ●●●●	SEARCHING FOR NETWORK DEVICE BEING CONFIGURED DEVICE JOINED DEVICE FAILED TO JOIN
8 TIMES	●●●●●●●●	FORCED RE-JOIN	●●●●	RE-JOIN, SEARCHING FOR PARENT
10 TIMES	●●●●●●●●●●	NETWORK LEAVE AND DEFAULT	●●●● ●●●●●●	LEAVE (IF JOINED) AND DEFAULTS RESTORED
		NO ACTION	● ●●●	WRONG BUTTON PRESS DEVICE BUSY
		POWER UP	●●●●●●	



LED



Button