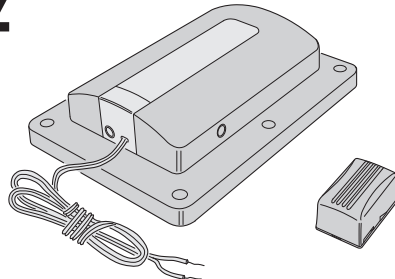


NuTone® NGD00Z



GARAGE DOOR OPENER REMOTE COMMAND TRANSCEIVER with TILT SENSOR

Installation Instructions

1 PRODUCT DESCRIPTION

NGD00Z Overview

- A garage door opener remote command transceiver with built-in Z-Wave technology.
- Allows remote operation of a garage door opener using Z-Wave controllers.
- Acts as a Z-Wave repeater to improve communications within the Z-Wave mesh network.

NGD00Z Summary of Operation

- NGD00Z connects to the garage door opener's pushbutton wall console terminals.
- A wireless tilt sensor mounts on the garage door and reports the door's position to the NGD00Z.
- NGD00Z responds to Z-Wave commands from Z-Wave controllers to open or close the garage door.
- A warning indicator light flashes and a beeper sounds for 5 seconds before the door begins to move.
- If the door does not completely open or close, a second open or close command can be sent after 30 seconds.
- If the door does not completely open or close after the second attempt, the NGD00Z operation is suspended until a local garage door pushbutton is activated.

Z-Wave Information

- Z-Wave® is a registered trademark of Sigma Designs Inc. and/or its subsidiaries.
- Z-Wave is an Interoperable two-way RF mesh networking technology designed for use with a Z-Wave gateway/controller and other Z-Wave enabled devices.
- Replication is the process of copying or transferring your Z-Wave network from one controller to another.
- This is a Security enabled Z-Wave product and must be used with a Security enabled Z-Wave controller in order to fully utilize this product. As such, this device will not respond to Basic CC commands.
- ASSOCIATION: The NGD00Z supports 1 Group with 1 Node. Group 1 must be assigned the Node ID of the controller to which unsolicited notifications from the NGD00Z will be sent. The Z-Wave controller should set this association automatically after inclusion.

2 SAFETY NOTES



WARNING

This operator system is equipped with an unattended operation feature. This door could move unexpectedly. NO ONE SHOULD CROSS THE PATH OF A MOVING DOOR!



WARNING

This system can be installed on sectional type (roll up) doors only per (UL-325). DO NOT INSTALL ON ONE-PIECE DOORS!



WARNING

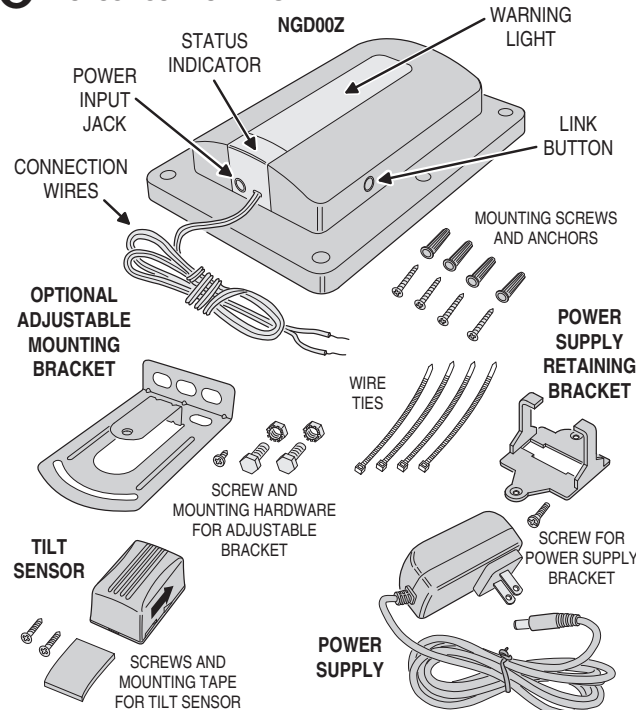
The Remote Command Transceiver must be mounted in the garage, in sight of the garage door, where the visual and audible movement warning indicators can be clearly seen and heard.



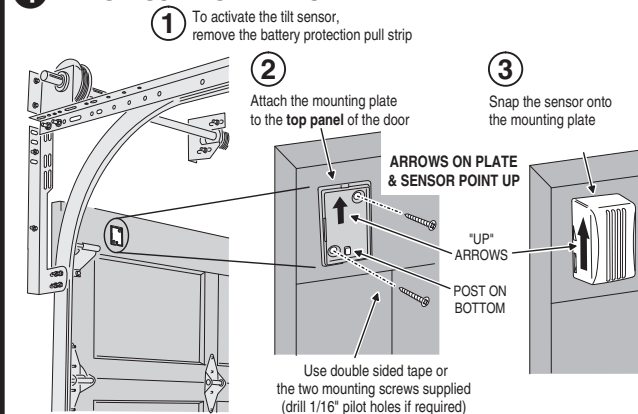
WARNING

Do not install the Remote Command Transceiver on garage door operators manufactured prior to 1993 (models without an operational safety beam entrapment detection system).

3 PRODUCT COMPONENTS



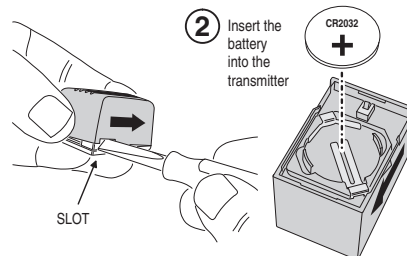
4 TILT SENSOR INSTALLATION AND BATTERY



LOW BATTERY REPLACEMENT

The system will notify you when the battery is low, replace the battery with a type CR2032 coin cell

- 1 To open the case, twist a small screwdriver in case slot

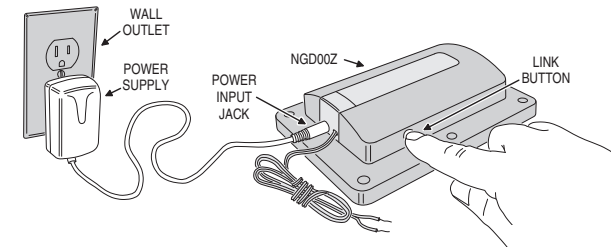


PLUS SIDE UP !!!

- 2 Insert the battery into the transmitter

5 ADDING / REMOVING FROM YOUR Z-WAVE NETWORK

Note: Plug in the NGD00Z near your Z-Wave Controller for these steps



ADDING THE NGD00Z TO YOUR CONTROLLER

- 1 Place your Z-Wave Controller into Discovery or Add mode.
- 2 Press and release the link button on the NGD00Z.
- 3 Confirm that the NGD00Z was added to your Z-Wave Controller.

Refer to your Z-Wave Controllers instructions for additional information on adding devices.

REMOVING THE NGD00Z FROM YOUR CONTROLLER

- 1 Place your Z-Wave Controller into Remove mode.
- 2 Press and release the link button on the NGD00Z.
- 3 Confirm that the NGD00Z was removed from your Z-Wave Controller.

Refer to your Z-Wave Controllers instructions for additional information on removing devices.

6 NGD00Z MOUNTING

! WARNING !
 REMOVE POWER FROM THE GARAGE DOOR OPENER BEFORE CONTINUING
 THE NGD00Z WARNING LAMP MUST BE VISIBLE IN ALL DOOR POSITIONS

THE NGD00Z CAN ALSO BE ATTACHED TO THE OPENER'S HARDWARE USING THE ADJUSTABLE MOUNTING BRACKET

1 Use the four screws and anchors to mount the NGD00Z above the opener

2A Use the bolts and nuts supplied to attach the bracket to a secure structure

BE SURE THE NGD00Z IS CLEAR OF ALL MOVING PARTS OF THE GARAGE DOOR AND THE WARNING LAMP IS NOT OBSTRUCTED

7 NGD00Z CONNECTIONS

1 Connect the NGD00Z connection wires to the pushbutton wall console terminals on the garage door opener. The terminals may be named "PWC", "WC", "PB", "PUSHBUTTON", or "RED and WHITE". Terminal names and locations vary by model.

2 Plug the power cord into the power input jack on the NGD00Z

3 Remove the screw from 120 VAC outlet faceplate. Secure the retaining bracket to the faceplate with the provided screw. Snap the power supply into the bracket while plugging into the outlet.

DO NOT DISCONNECT ANY WIRES CURRENTLY CONNECTED TO THE GARAGE DOOR OPENER !!!

USE WIRE TIES TO SECURE EXCESS WIRING CLEAR OF ALL MOVING PARTS OF THE GARAGE DOOR AND OPENER

8 SYSTEM OPERATION

1 Restore power to your garage door opener

2 To synchronize the system, use the garage door opener's pushbutton to manually open and close the door

3 Use your Z-Wave Controller to activate your garage door opener

4 The NGD00Z will beep and flash for five seconds before the door moves

5 The NGD00Z will activate the door opener and open or close the door

STAY CLEAR OF THE DOOR !!!

- ### 9 OPERATION NOTES
- The warning light will flash and the warning beeper will sound for five seconds before the door opener is activated. **STAY CLEAR OF THE DOOR, AND DOOR OPENER. THEY ARE ABOUT TO MOVE!**
 - If the door does not completely open or close after remote activation, the NGD00Z will allow user to try to operate the door one more time. If the second attempt fails, the NGD00Z will go into lock-out mode. See Note #3.
 - If the NGD00Z is in lock-out mode and will not accept remote commands, activate the door from the pushbutton wall console.
 - Once the NGD00Z has initiated the movement of the garage door, another command cannot be sent for 30 seconds. This eliminates the chance of "bouncing" the garage door and possibly damaging the garage door opener.

NGD00Z Specifications
 Power Supply: Input: 120 VAC, 0.8 A
 Output: 12 VDC, 2 A
 Operating Temperature: -4°—122° F (-20°—50° C)
 Audible Alarm: 45 db @ 10 feet
 Stroke: 360 Lumens
 Communications: Z-Wave (908.4 MHz)
 Mounting: Screws and anchors to the ceiling, or bracket to the opener's hanging hardware

Tilt Sensor Specifications
 Power Supply: Type CR2032 Coin Cell Battery
 Operating Temperature: -4°—122° F (-20°—50° C)
 Battery Life: 24 Months (typical)
 Communications: Proprietary 345 MHz
 Range: 100 feet line-of-sight to NGD00Z
 Mounting to Garage Door: Double-sided tape or two mounting screws
 (Specifications subject to change without notice)

NOTICE TO USERS IN CALIFORNIA - CR COIN CELL LITHIUM BATTERY INFORMATION: THIS PRODUCT CONTAINS A CR COIN CELL LITHIUM BATTERY WHICH CONTAINS PERCHLORATE MATERIAL - SPECIAL HANDLING MAY APPLY - SEE www.dtsc.ca.gov/hazardouswaste/perchlorate

KEEP AWAY FROM SMALL CHILDREN. IF BATTERY IS SWALLOWED, PROMPTLY SEE A DOCTOR. DO NOT TRY TO RECHARGE THIS BATTERY. DISPOSAL OF USED BATTERIES MUST BE MADE IN ACCORDANCE WITH THE WASTE RECOVERY AND RECYCLING REGULATIONS IN YOUR AREA.

10 TROUBLESHOOTING

PROBLEM	POSSIBLE CAUSE	CORRECTIVE ACTION
Unable to add to Z-Wave network.	NGD00Z was not properly removed from a previous Z-Wave network.	1. Reset the NGD00Z by pressing the LINK button 5 times. A quick beep followed by a longer beep will indicate the reset.
The NGD00Z does not flash or beep when activated.	No power to the NGD00Z.	1. Make sure the power supply is plugged in securely to a live outlet. 2. Make sure the power cord is plugged in securely to the NGD00Z.
The NGD00Z flashes and beeps when activated but the door does not move.	Obstruction blocking the door or incorrect wiring.	1. Make sure that there are no obstacles preventing the door from moving. 2. Make sure that the NGD00Z connection wires are connected to the proper terminals on the garage door opener. Trace the wires from the garage door opener's pushbutton wall console to the door opener. This is where the NGD00Z connection wires should be connected.
Garage door opens or closes, but the status does not change on the Z-Wave Controller.	The tilt sensor signal is not being received by the NGD00Z.	1. Make sure the tilt sensor is mounted correctly on the garage door, with the arrow pointing up. 2. Make sure the battery pull tab has been removed from the tilt sensor. 3. Replace the battery in the tilt sensor.

REGULATORY NOTICES

This device complies with part 15 of the FCC Rules and Industry Canada license exempt RSS standard(s). Operation is subject to the following two conditions: (1) This device may not cause harmful interference, and (2) this device must accept any interference received, including interference that may cause undesired operation.

Le présent appareil est conforme aux CNR d'Industrie Canada applicables aux appareils radio exempts de licence. L'exploitation est autorisée aux deux conditions suivantes : (1) l'appareil ne doit pas produire de brouillage, et (2) l'utilisateur de l'appareil doit accepter tout brouillage radioélectrique subi, même si le brouillage est susceptible d'en compromettre le fonctionnement.

Changes or modifications not expressly approved by the manufacturer could void the user's authority to operate the equipment.

Les changements ou modifications non approuvés expressément par la partie responsable de la conformité pourraient annuler l'autorité de l'utilisateur à faire fonctionner l'équipement.

This equipment has been tested and found to comply with the limits for Class B Digital Device, pursuant to Part 15 of the FCC Rules. These limits are designed to provide reasonable protection against harmful interference in a residential installation. This equipment generates and can radiate radio frequency energy and, if not installed and used in accordance with the instructions, may cause harmful interference to radio communications. However, there is no guarantee that interference will not occur in a particular installation. If this equipment does cause harmful interference to radio or television reception, which can be determined by turning the equipment off and on, the user is encouraged to try to correct the interference by one or more of the following measures.

- Reorient or relocate the receiving antenna
- Increase the separation between the equipment and receiver
- Connect the equipment into an outlet on a circuit different from that to which the receiver is connected
- Consult the dealer or an experienced radio/TV technician for help

This Class B digital apparatus complies with Canadian ICES-003.
 Cet appareil numérique de la classe B est conforme à la norme NMB-003 du Canada.

Copyright © 2015 Broan-NuTone LLC 10006014 AX1